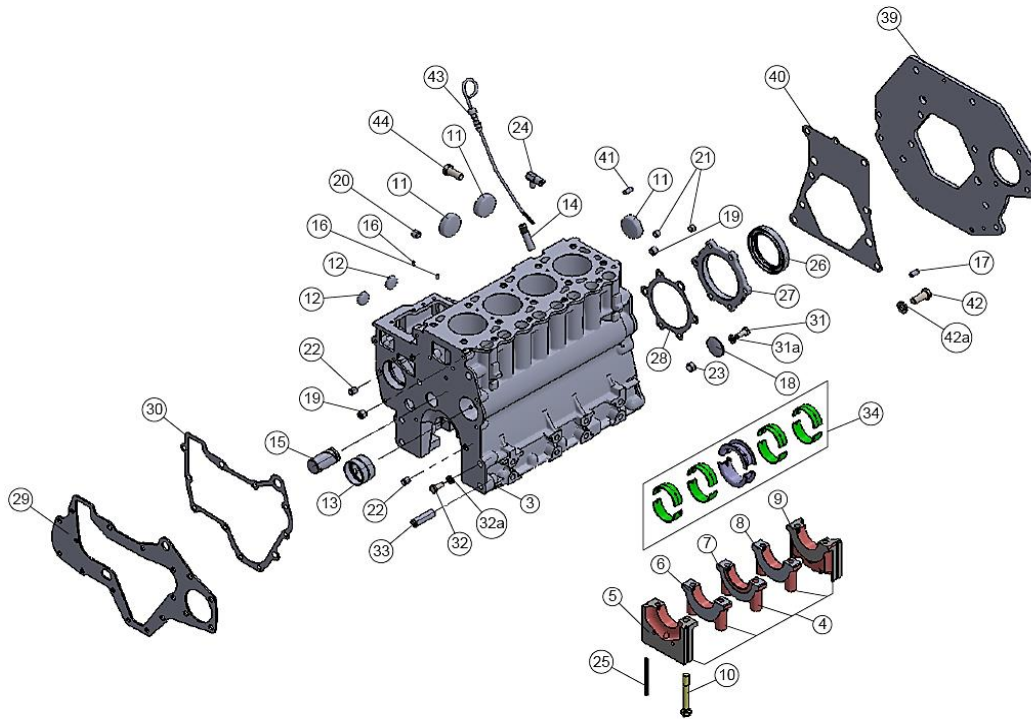


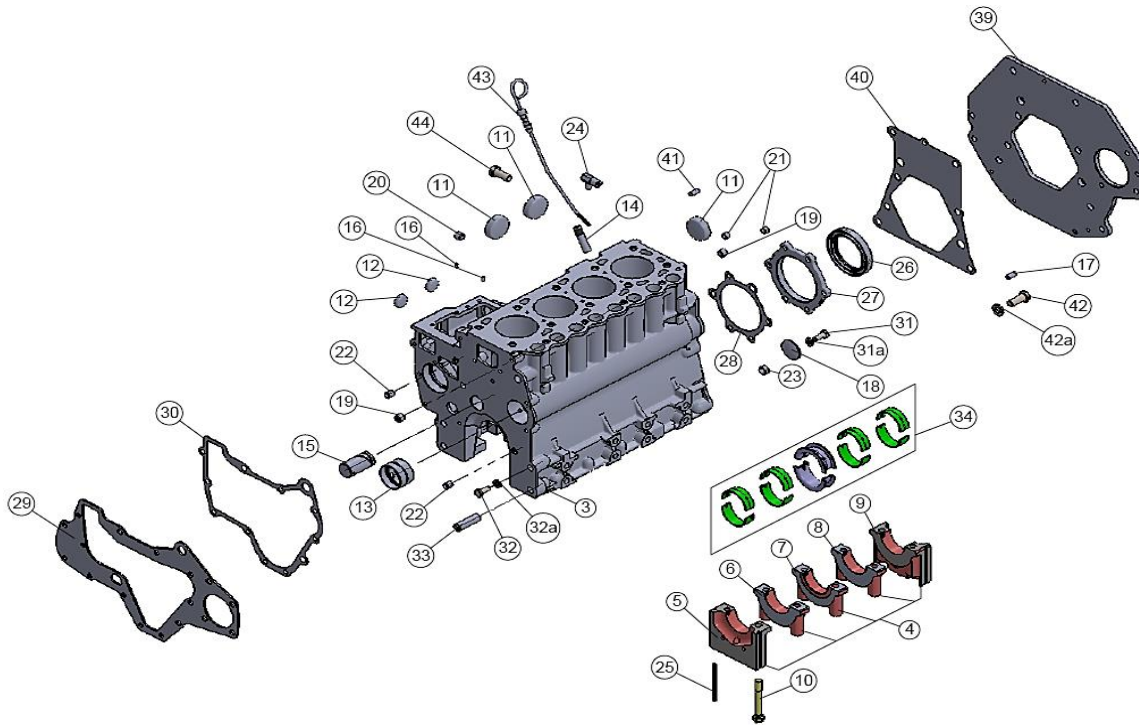
24HP PART LIST only servivable parts

FIG. 101 CRANK CASE PAGE-3



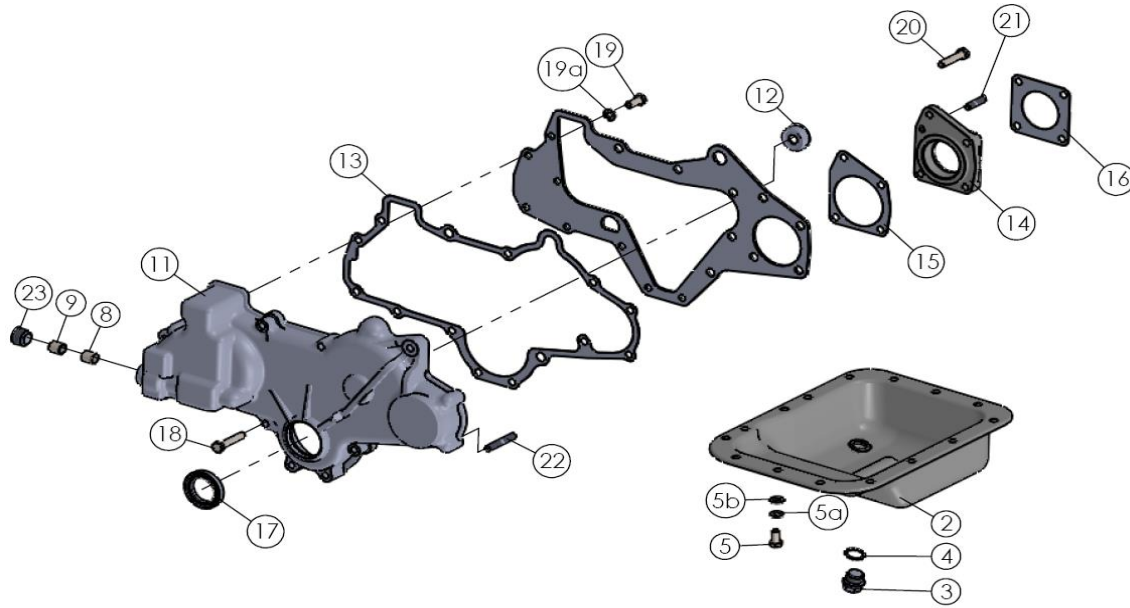
Key no	New ERP Number	Old Parts Number	Parts Name	Quantity	DESCRIPTION	SERVICABLE REMARKS
				270		
1~22	BFA01A00070A0	2701010A100	CYLINDER BLOCK ASSY.	set		NO
2	BFA01A00080A0	2701010B100	CYLINDER BLOCK SUB-ASSY.	set		NO
3	BFA01C00040A0	27010100100	CYLINDER BLOCK	1		YES
4	BCA01C00050A0	MM408176	CAP ASSY. Bearing	set		NO
5	BCA01C00730A0	MM4081552	CAP, bearing front	1		NO
6	BCA01C00740A0	MM4081562	CAP, bearing no.2	1		NO
7	BCA01C00750A0	MM4081572	CAP, bearing no.3	1		NO
8	BFA01C00050A0	27010100930	CAP, bearing no.4	1		NO
9	BCA01C00760A0	MM4081593	CAP, bearing rear	1		NO
10	MBG1008100GA0	MM406217	BOLT, bearing cap	10		YES
11	MGG4201600BA0	MF665543	CAP, sealing	3	Ø45	YES
12	MGG2201600BA0	MF665538	CAP, sealing	2	Ø25	YES
13	BCA01C00050A0	MM408176	BUSH, camshaft	1		YES
14	BCA01C00120A0	MM430613	GUIDE, oil level gauge	1		YES
15	BCA01C00100A0	MM430113	SHAFT, idler	1		YES
16	MPA0401000GA0	MM409645	PIN, dowel	2		YES
17	MPA0801801GA0	MM472404	PIN, dowel	1	Ø8	YES
18	MUE0400000BA0	MF665511	PLUG, expansion	1	Ø40	YES
19	MUT0130001GA0	MS661121	PLUG, taper	1	PT 1/4"	YES
20	MUT0100000GA0	MS661141	PLUG, taper	2	PT 1/8"	YES
21	MGG0840900GA0	MS471104	BUSH. Knock	2	Ø8X9	YES
22	MGG0841300GA0	MS471105	BUSH, knock	2	Ø8X13	YES
23	MGG1250900GA0	MS471110	BUSH, knock	1	Ø12X9	YES
24	MUT0600000BA0	22010100240	TAPER PLUG 1/4 NPTF	1		YES
25	BCA01C00040A0	MM406228	SEAL, side	4		YES
26	BCA01C00030A0	18010100430	SEAL, oil	1		YES

FIG. 101 CRANK CASE PAGE-3



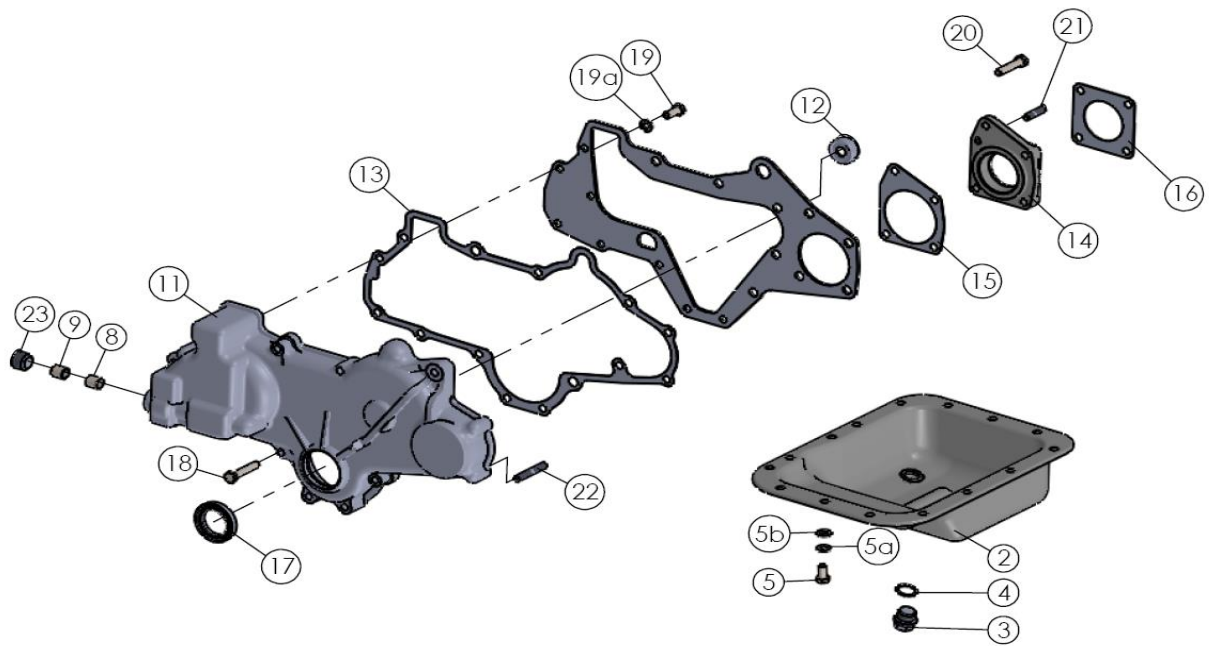
Key no	New ERP Number	Old Parts Number	Parts Name	Quantity	DESCRIPTION	SERVICABLE REMARKS
				270D		
27	BCA01C00060A0	MM408200	CASE, Oil seal	1		YES
28	MGG0940500GA0	MM4082051	GASKET, oil seal	1		YES
29	BCA01C00070A0	MM408221	PLATE, front	1		YES
30	MGG0000505GA0	MM4082261	GASKET, front plate	1		YES
31	MBA0802206BA0	M10008022	BOLT, hex. hd.	6	M8X22	YES
31a	MWL0802003GA0	M30408	WASHER, spring	6	M8	YES
32	MBA0801602BA0	M10008016	BOLT, hex. hd.	3	M8X16	YES
32a	MWL0802003GA0	M30408	WASHER, spring	3	M8	YES
33	MDG1403000GA0	MF402635	STUD	2	M14X30	YES
34	BFA01C00060A0	270101012X0K0	BEARING SET, crank shaft	set	STD	YES
35	MEG0000004GA0	MM408184	BEARING SET, crank shaft upper	4	STD	NO
36	MEG0000005GA0	MM408185	BEARING SET, crank shaft lower	4	STD	NO
37	MEG0000006GA0	MM408194	BEARING SET, crank shaft upper	1	STD	NO
38	MEG0000007GA0	MM408195	BEARING SET, crank shaft lower	1	STD	NO
39	BFA01C00070A0	27010100310	PLATE, rear	1		YES
40	BFA01C00380A0	27010100220	GASKET, rear plate	1		YES
42	MBA1203002BA0	M10012030	BOLT, hex. hd.	6	M12X30	YES
42a	MWL1203002GA0	M30412	WASHER, spring	6	M12	YES
43	BFA01C00080A0	27010101130	GAUGE, oil level	1		YES
44	MBA1202501BA0	M10012025	BOLT, hex. hd.	4	M12X25	YES YES YES

FIG. 102 OIL PAN & GEAR CASE PAGE-4



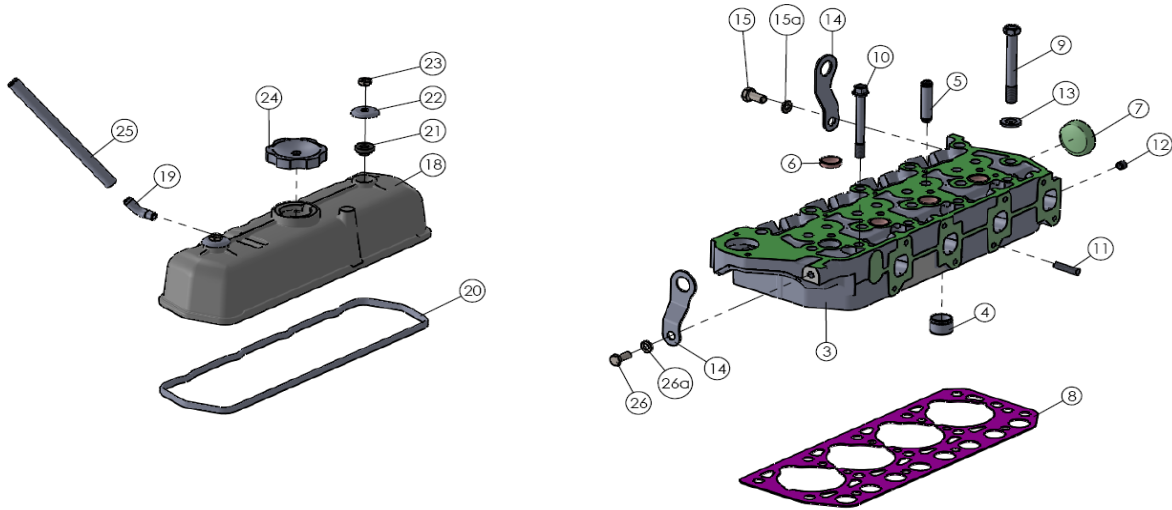
Key no	New ERP Number	Old Parts Number	Parts Name	Quantity	DESCRIPTION	SERVICABLE REMARKS
				270D		
2	BFA01A00090A0	27010200210	OIL PAN	1		YES
3	MUG1800000BA0	1801020044000	DRAIN PLUG M18 ( MAGNETIC )	1		YES
4	MGG1801002GA0	MD000312	GASKET, oil drain	1	Ø18	YES
5	MBA0801602BA0	M1008016	BOLT, hex. hd.	17	M8X16	YES
5a	MWL0802003GA0	M30408	WASHER, spring	17	M8	YES
5b	MWA0801602GA0	M30008	WASHER, plain	17	M8	YES
8	MEN1015000GA0	MM406420	BEARING, needle	1		YES
9	MEN1015001GA0	MM406421	BEARING, needle	1		YES
11	BCA01C00150A0	MM4082271	CASE, gear	1		YES
12	MUG1200001GA0	MM4097181	PLUG, thrust	1		YES
13	MGG0000506GA0	MM4082351	GASKET, gear case	1		YES
14	BCA01C00170A0	MM409230	HOUSING, pump gear bearing	1		YES
15	MGG0700500GA0	MM4092351	Gasket Housing - Bna-2325	1		YES
16	MGG0521000GA0	MM4012061	Gasket Oil Pump "C" - Bna-2250	1		YES
17	BCA01C00270A0	18010200131	SEAL, oil	1		YES
18	MBA0804504BA0	M10008045	BOLT, hex. hd.	8	M8X45	YES
19	MBA0802004BA0	M10008020	BOLT, hex. hd.	2	M8X20	YES
19a	MWL0802003GA0	M30408	WASHER, spring	2	M8	YES

FIG. 102 OIL PAN & GEAR CASE PAGE-5



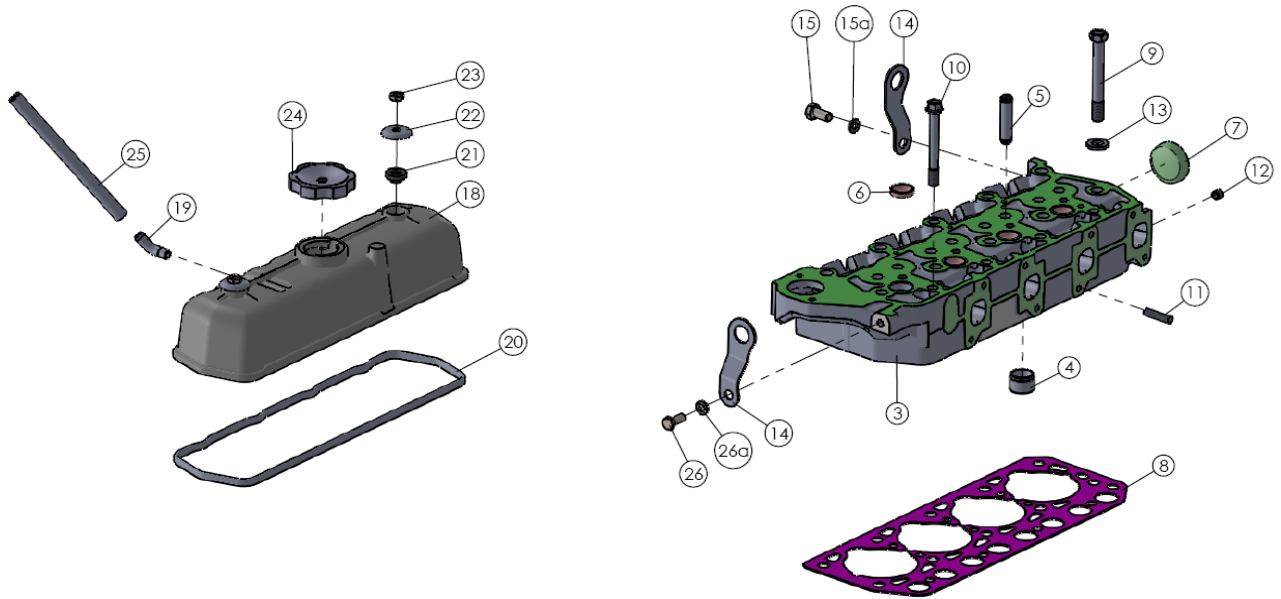
Key no	New ERP Number	Old Parts Number	Parts Name	Quantity	DESCRIPTION	SERVICABLE REMARKS
				270D		
20	MBA0803002BA0	M10008030	BOLT, hex. hd.	1	M8X30	YES
21	MDG0802201GA0	MF402565	STUD	1	M8X22	YES
22	MDG0000004GA0	MS401434	STUD	3	M8X42	YES
23	MUT0210000GA0	MS4661123	PLUG, taper	1	PT 1/2"	YES

FIG. 103 CYLINDER HEAD PAGE-6



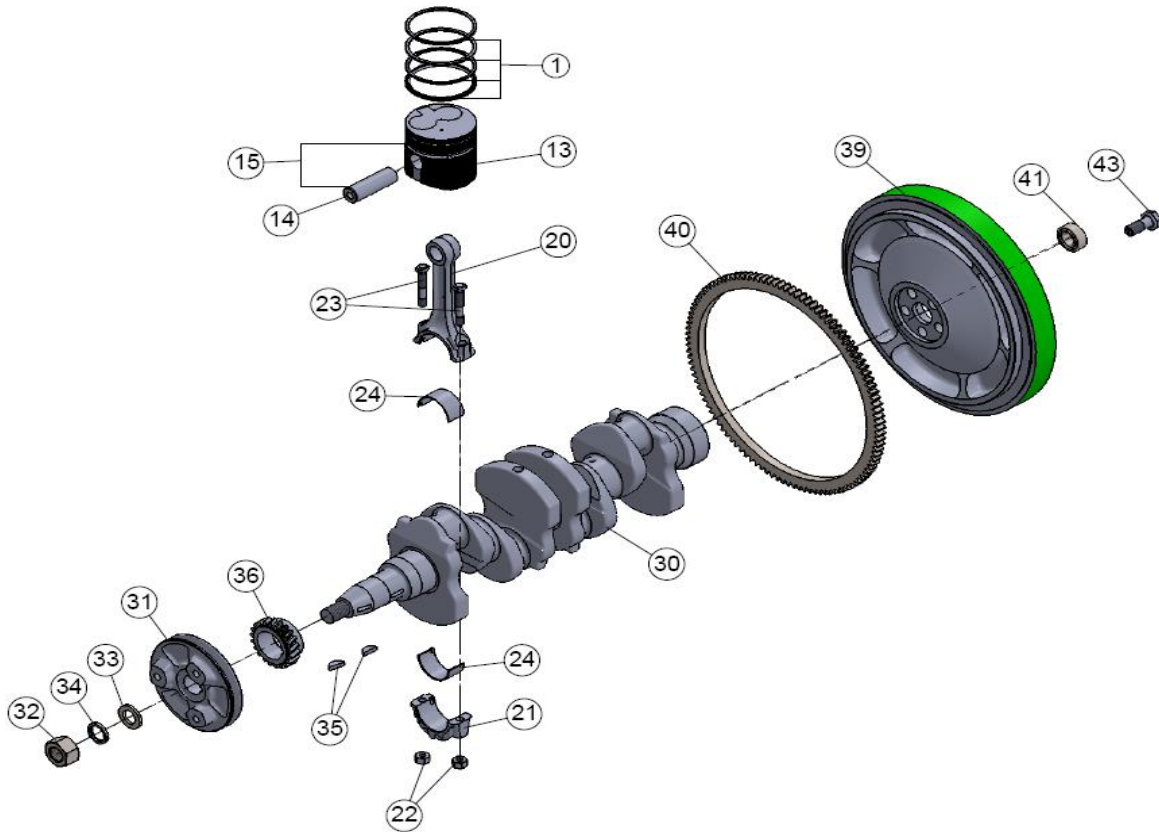
Key no	New ERP Number	Old Parts Number	Parts Name	Quantity	DESCRIPTION	SERVICABLE REMARKS
				270D		
1	BFA01A00100A0	2701030A400	CYLINDER HEAD ASSY	SET		NO
2	BFA01A00110A0	2701030B400	CYLINDER HEAD SUB ASSY	SET		NO
3	BFA01C00100A0	27010300400	HEAD, cylinder	1		YES
4	BCA01C00260A0	MM434971	MOUTH PIECE	4		NO
5	BFA01C00110A0	18010300430	GUIDE, valve	8		YES
6	MGG2201600BA0	MF665538	CAP, sealing	4	Ø25	YES
7	MGG4201600BA0	MF665543	CAP, sealing	1	Ø45	YES
8	BFA01C00400A0	27010300120	GASKET, cylinder head	1	CHECK WITH DRN	YES
9	MBA1209800BA0	MM4023711	BOLT, cylinder head	10	M12X98	YES
10	MBG1009000GA0	MM404316	BOLT, cylinder head	4	M10X90	YES
11	MDG0802501GA0	MF401936	STUD	1	M8X25	YES
12	MUT0100000GA0	MS661140	PLUG, taper	1	PT 1/8M8X25	YES
13	MWG1303200GA0	MD0207332	WASHER	10		YES
14	BCA01C00230A0	MM4084701	HANGER, engine	2		YES
15	MBA1002003BA0	M10010020	BOLT, hex. Hd.	1	M10X20	YES
15a	MWL1002503GA0	M30410	WASHER, spring	1	M10	YES
16			ROCKER COVER ASSY. COMP.	set		NO
17			ROCKER COVER ASSY.	set		NO
18	BFA01C00120A0	27010300600	COVER, rocker	1		YES
19	BCA01C00200A0	18010300140	ELBOW, air breather	1		YES
20	BFA01C00390A0	27010300720	GASKET, rocker cover	1		YES
21	BCA01C00210A0	MD000523	SEAL, oil	2		YES
22	MWG2402300BA0	MM408509	WASHER	2		YES
23	MNA0806000BA0	M17008	NUT, hex.	2	M8	YES

FIG. 103 CYLINDER HEAD PAGE-7



Key no	New ERP Number	Old Parts Number	Parts Name	Quantity	DESCRIPTION	SERVICABLE REMARKS
				270D		
24	BCA01C00220A0	MD0087841	CAP, oil filter	1		YES
25	BCA01C00790A0	18010300642	HOSE, AIR BREATHER	1	L=175MM	YES
26	MBA0802004BA0	M10008020	BOLT, hex. Hd.	1	M8X20	YES
26a	MWL0802003GA0	M30408	WASHER, spring	1	M8	YES

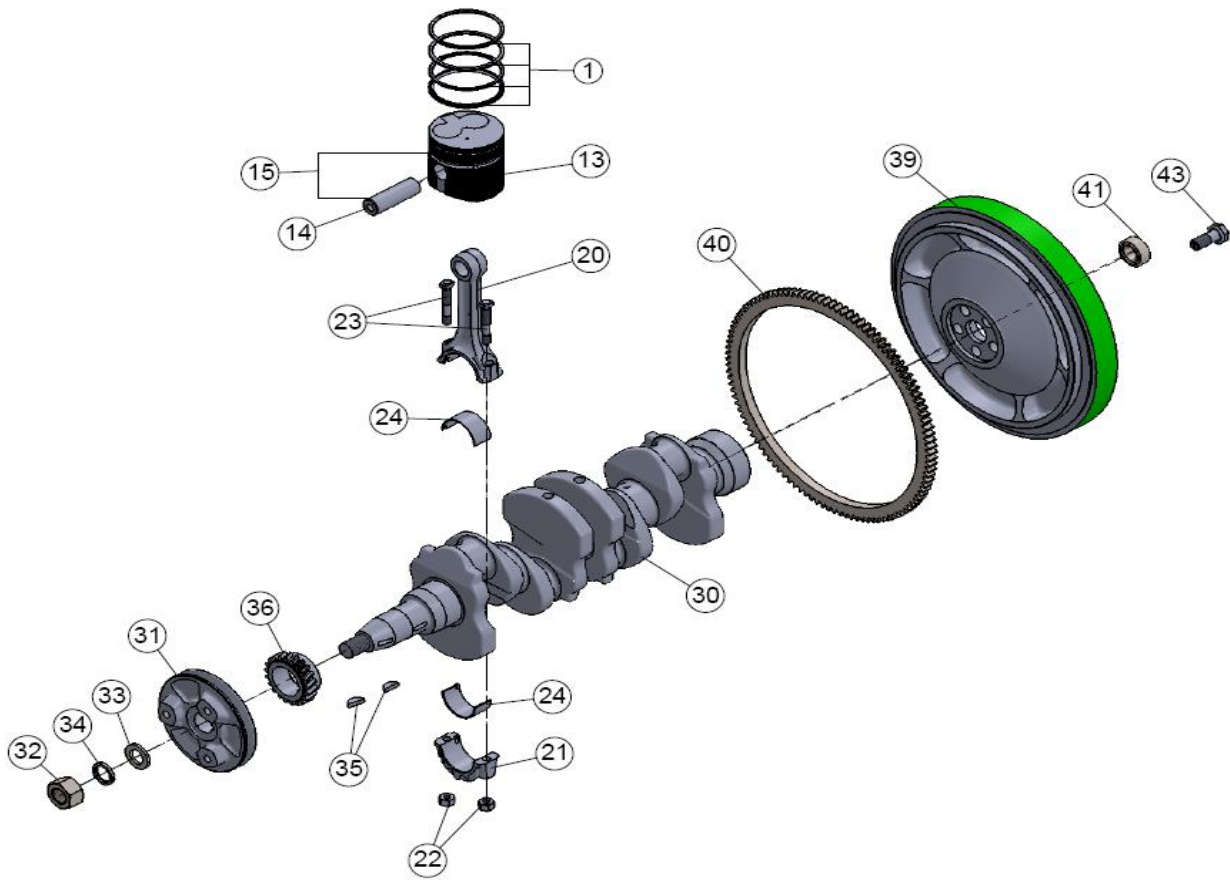
FIG. 104 MAIN MOVING PARTS PAGE-8



Key no	New ERP Number	Old Parts Number	Parts Name	Quantity	DESCRIPTION	SERVICABLE REMARKS
				270D		
1	BFA97C00130A0	220104001X0	RING SET, piston std.	4		YES
12	BEA97C00000A1	22010400810640X0K0	PISTON ASSY KIT	4		YES
19	BCA01A00330A0	MM4087901	CON. ROD ASSY.	4		YES
22	MNA0808000GA0	MD000704	NUT, connecting rod	8		YES
23	MBG0805100GA0	MM402547	BOLT, connecting rod	8		YES
24	BFA97C00150A0	270104028X0K0	CON ROD BEARING SET	1		YES



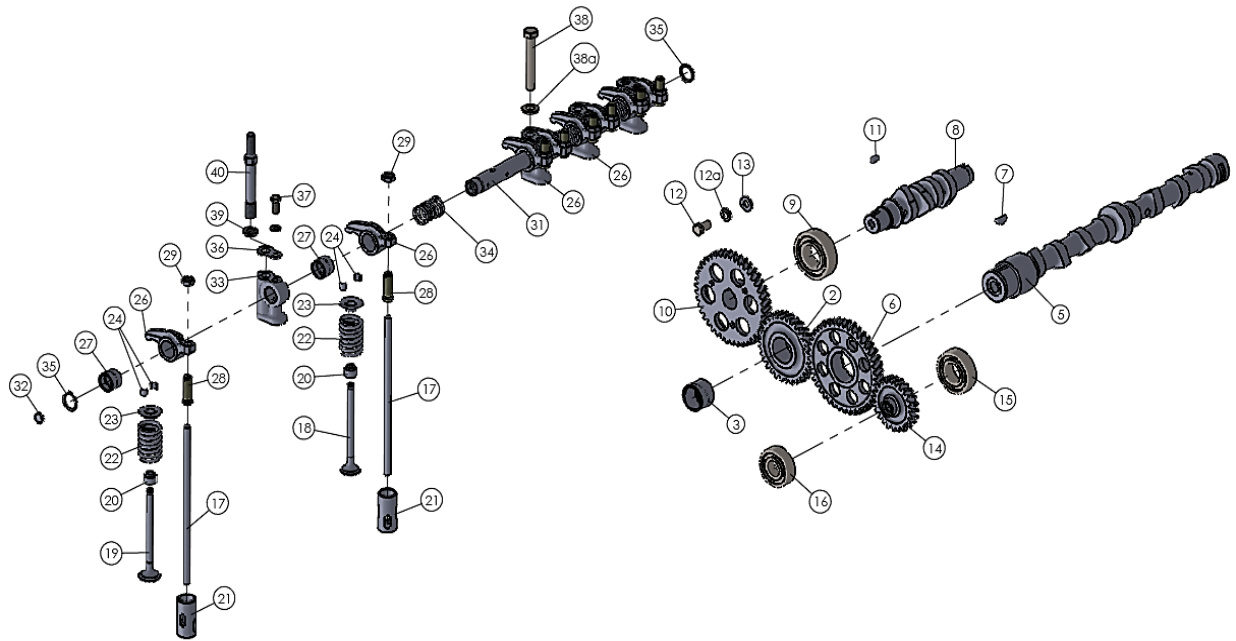
FIG. 104 MAIN MOVING PARTS PAGE-9



Key no	New ERP Number	Old Parts Number	Parts Name	Quantity	DESCRIPTION	SERVICABLE REMARKS
				270D		
26		BFA01A00000A	BEARING, connecting rod	set	0.25 U/S	NO
27		BFA01A00010A	BEARING, connecting rod	set	0.50 U/S	NO
28		BFA01A00020A	BEARING, connecting rod	set	0.75 U/S	NO
29		2701040A000	CRANK SHAFT ASSY. Comp.	set		NO
30	BFA01C00290A0	27010400000	CRANK SHAFT	1		YES
31	BFA01C00300A0	27010400420	PULLEY, crank shaft	1		YES
32	MNG0000022GA0	MF430126	NUT	1	M18	YES
33	MWA1802600GA0	M30018	WASHER, plain	1	M18	YES
34	MWL1800000GA0	M30418	WASHER, spring	1	M18	YES
35	MKW1900500GA0	MF476215	KEY, woodruff	2	(5X19) 5 X 15	YES
36	BCA01C00300A0	MM406570	GEAR, crank shaft	1		YES
37	BFE01A00050A0	27010400310	FLY WHEEL ASSY.	set		NO
39	BFA01C00310A0	27010400110	FLY WHEEL	1		YES
40	BCA01C00290A0	MD000612	GEAR, ring	1		YES
41	MEB1509000GA0	MD002613	BEARING, ball	1		YES
42	MPA0000000GA0	MF472443	PIN, dowel	2		YES
43	MBA1202901GA0	MD9522301	BOLT, drive plate	5		YES

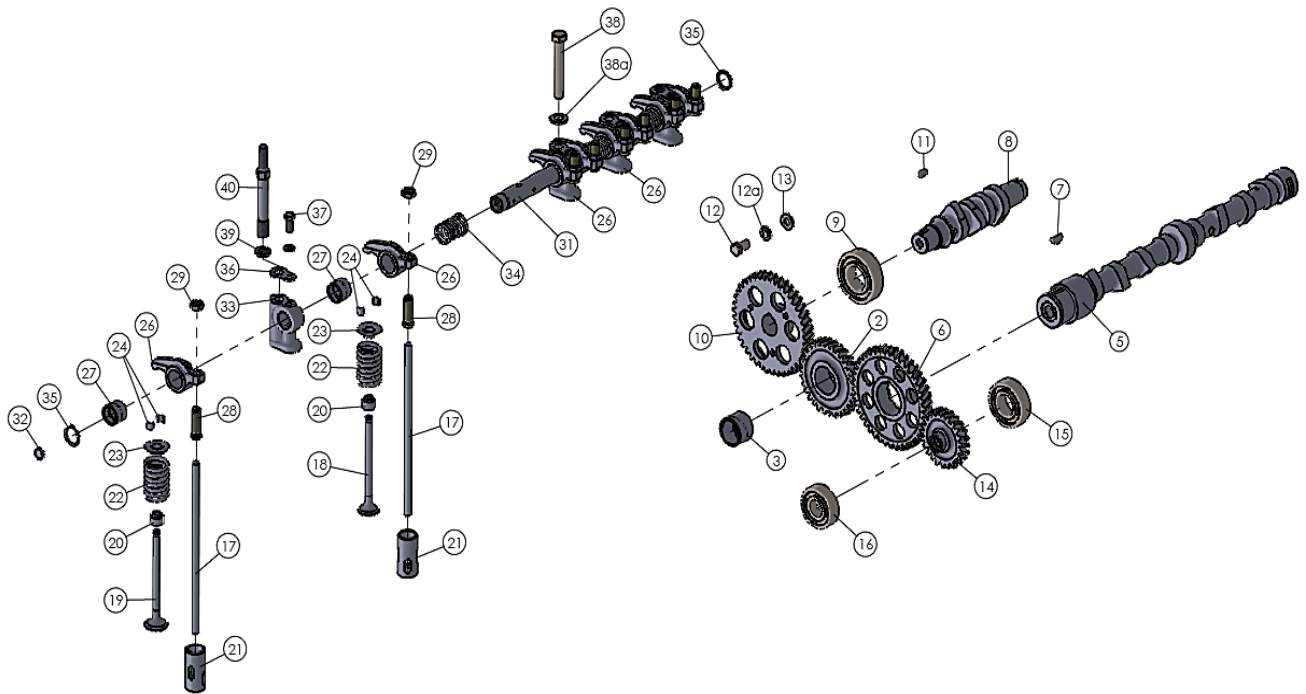


FIG. 105 TIMING PARTS



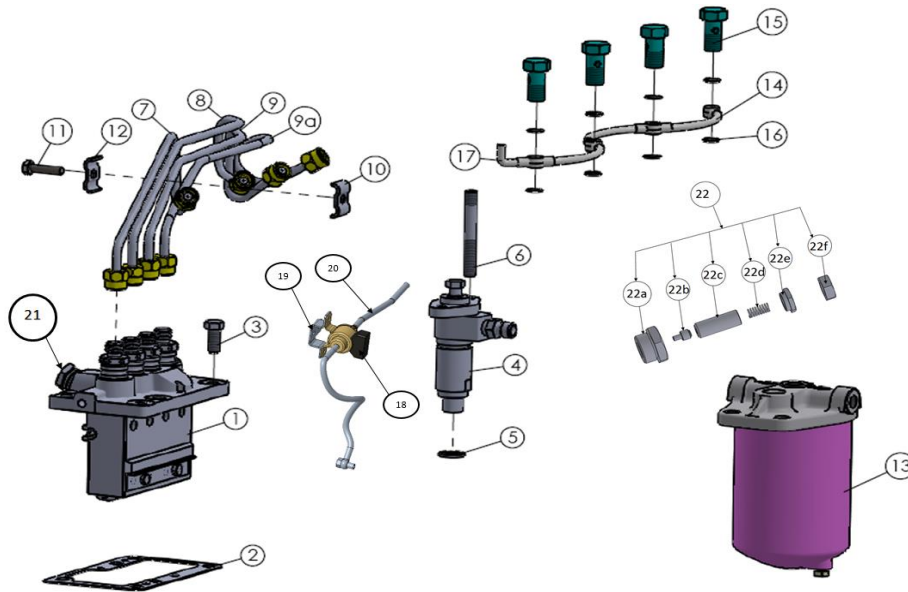
Key no	New ERP Number	Old Parts Number	Parts Name	Quantity	DESCRIPTION	SERVICABLE REMARKS
				270D		
1	BFA01A00180A0	MM406661	GEAR ASSY, idler	set		NO
2	BCA01A00440A0	MM408908	Gear Assy Idler	1		YES
3	BCA01C00600A0	MM4066711	BUSH, idler gear	1		YES
4	BFA01A00190A0	2701050A210	CAM SHAFT ASSY.	set		NO
5	BFA01C00320A0	27010500210	CAM SHAFT	1		YES
6	BFA01C00330A0	MM4067221	GEAR, cam shaft	1		YES
7	MKW1900500GA0	MF476215	KEY, woodruff	1	(5X19) 5X15	YES
8	BFA01C00340A0	27010500330	CAM SHAFT, F.I.P	1		YES
9	MEG2816000GA0	MD703856	BEARING, radial ball	1		YES
10	BCA01C00620A0	MM4066851	GEAR, F.I.P	1		YES
11	MKA0512000GA0	MF476018	KEY, sunk	1		YES
12	MBA0801602BA0	M10008016	BOLT, hex. Hd.	1	M8X16	YES
12a	MWL0802003GA0	M30408	WASHER, spring	1	M8	YES
13	MWG2604000GA0	MD0004251	WASHER	1		YES
14	BCA01C00640A0	MM4072651	Gear Pressure Oil Pump	1		YES
15	MEG2515000GA0	10070626000	Bearing 6205C3	1		YES
16	MEG0000011GA0	14401203000	Ball Bearing 6204 C3	1		YES
17	BCA01C00680A0	MM408920	ROD , push	8		YES
18	BFA01C00350A0	270103009X0K0	VALVE SET	1		YES
20	BCA01C00560A0	MD016490	SEAL, valve stem	8		YES
21	BCA01C00590A0	MM4027371	TAPPET	8		YES
22	BCA01C00580A0	MM402381	SPRING, valve	8		YES
23	BCA01C00520A0	MD0164821	RETAINER, valve spring	8		YES
24	BCA01C00530A0	MD016483	LOCK, retainer	16		YES

FIG. 105 TIMING PARTS PAGE-11



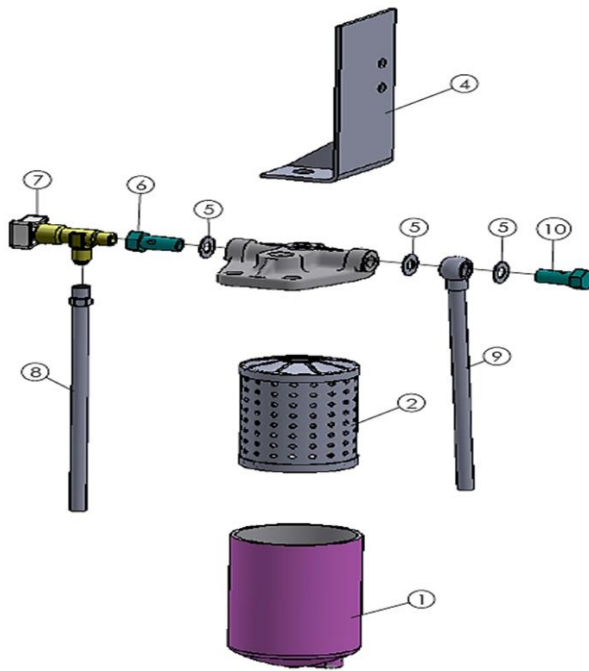
Key no	New ERP Number	Old Parts Number	Parts Name	Quantity	DESCRIPTION	SERVICABLE REMARKS
				270D		
26	BCA01A00390A0	18010500340	Arm Rocker	8		YES
27	BCA01C00490A0	18010500440	BUSH,rocker arm	8		YES
28	MSG0000022GA0	K7231220	SCREW, adjusting	8		YES
29	MND1006000GA0	MF4307261	NUT, jam	8		YES
30	BFA01A00220A0	2701050B440	SHAFT ASSY, rocker arm	set		NO
31	BFA01C00360A0	27010500120	SHAFT, rocker shaft	1		YES
32	BFA01C00370A0	MD0212041	CAP, sealing	2		YES
33	BCA01C00470A0	18010500130	STAY, rocker shaft	4		YES
34	BCA01C00510A0	MD000963	SPRING L H, rocker shaft	3		YES
35	MLS1901200GA0	MF522010	RING, snap	2	Ø19	YES
36	MWN1101600BA0	MM4067451	WASHER, seat	2		YES
37	MBA0601601BA0	M10006016	BOLT, hex. Hd.	2	M6X16	YES
37a	MWL0601502BA0	M30406	WASHER, spring	2	M6	YES
38	MBA1007000BA0	M10010070	BOLT, hex. Hd.	2	M10X70	YES
38a	MWA1101600BA0	M30010	WASHER, plain	2	M10	YES
39	MWL1002503GA0	M30410	WASHER, spring	1	M10	YES
40	MBA1010800GA0	MM408950	BOLT	2		YES

FIG. 106 FUEL SUPPLY PARTS



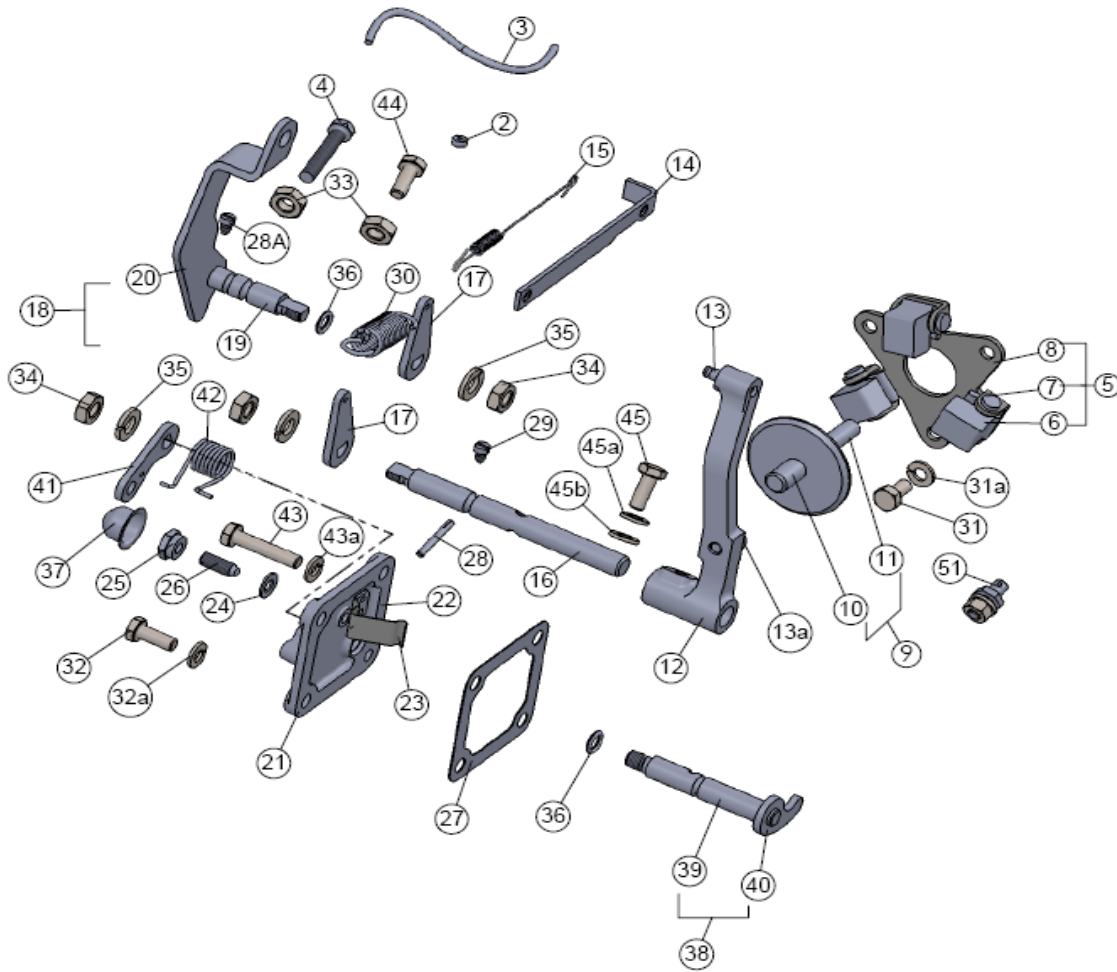
Key no	New ERP Number	Old Parts Number	Parts Name	Quantity	DESCRIPTION	SERVICABLE REMARKS
				270D		
1	BFB06C00000A0	270107001X0	FUEL INJ. PUMP ASSY. (Bosch pump)	1		YES
2	BFF99C00000A0	2701060B330	SHIM FOR MICO PUMP		0.3thk	YES
3	MBA0802004BA0	M10008020	BOLT, hex. Head	4	M8X20	YES
4	BCA06A00040A0	18010800230	NOZZLE & NOZZLE HLDR ASSY.	4		YES
5	MG0000007GA0	24301050100	GASKET	3		YES
6	MDB0807000BA0	18001500143	STUD	6		YES
7	BCA06A00050A0	MM4090942	PIPE ASSY. No.1, fuel inj.	1		YES
8	BCA06A00060A0	MM4090952	PIPE ASSY. No.2, fuel inj.	1		YES
9	BCA06A00070A0	MM4090962	PIPE ASSY. No.3, fuel inj.	1		YES
9a	BFA06A00020A0	27010600420	PIPE ASSY. No.4, fuel inj.	1		YES
10	MGC0602001BA0	MM430614	CLAMP (B)	3		YES
11	MBA0602500BA0	M10006025	BOLT, hex. Head	3	M6X25	YES
11a	MWL0601502BA0	M30406	WASHER, spring	3	M6	YES
11b	MWA0701000BA0	M30006	WASHER, plain	3	M6	YES
12	MGC0602000GA0	MM430703	CLAMP (A)	3		YES
13	BFA06A00060A0	EC010900930	FUEL FILTER ASSY.	1		YES
14	BFA06A00030A0	27010600520	LEAK OFF PIPE ASSY.	1		YES
16	MWG0000056GA0	MS602063	WASHER	8		YES
17	BCA06C00080A0	MM413119	PIPE, rubber	1		YES
18	BFA06C00160A0	270106001X0	FUEL FEED PUMP (27HP)	1		YES
18a	MBA0802004BA0	M10008020	BOLT, hex. Head	2		YES
19	BFB06A00000A0	270106031X0	ASSY. FEED PUMP MTG BRKT-PAINTED	1		YES
19a	JTA16C00000A0	JTA16C00000A	SPACER	2		YES
19b	MBA0805002BA0	M10008050	BOLT, hex. Head	2		YES
19c	MWA0801602GA0	M30008	Plain washer	4		YES
19d	MWL0802003GA0	M30408	spring washer	4		YES
20	BFB06C00020A0	27010902230	HOSE FUEL, DELIVERY	1		YES
21	BFB06A00010A0	27010901242	BANJO BOLT ASSY. MICO (FUEL FEED SYS.	1		YES
23	BFE06A00030A0	27010602340	OVER FLOW PIPE ASSY	1		YES

FIG. 109 FUEL FILTER



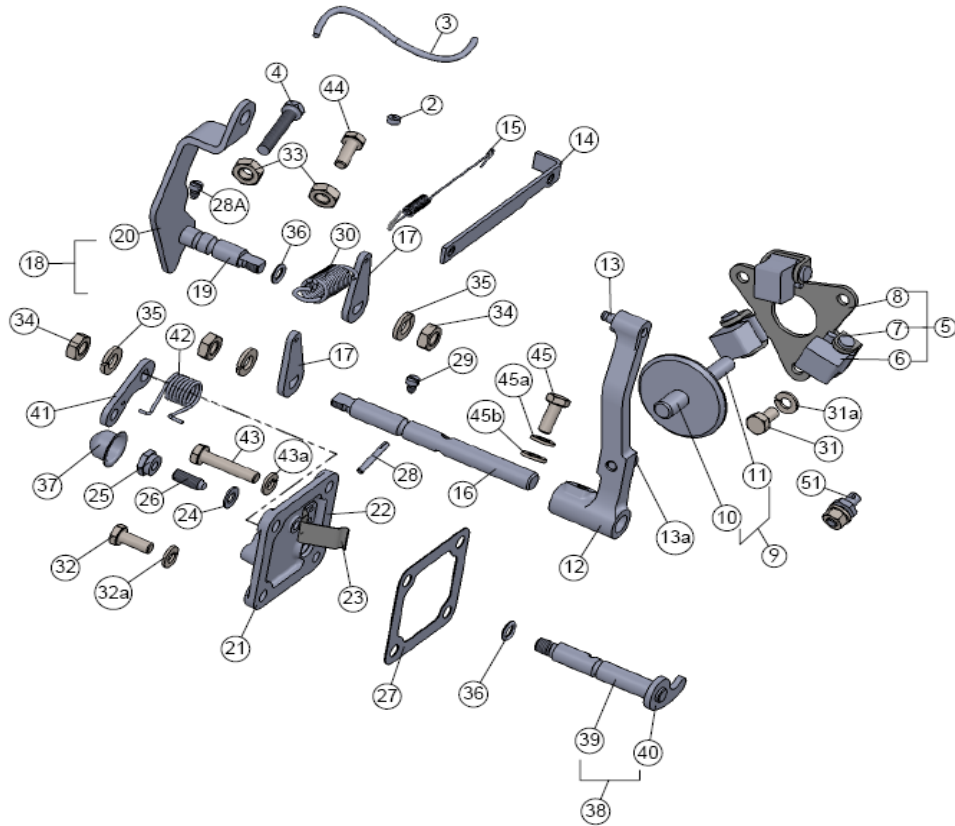
Key no	New ERP Number	Old Parts Number	Parts Name	Quantity	DESCRIPTION	SERVICABLE REMARKS
				270D		
1~3	BFA06A00060A0	EC010900930	FUEL FILTER ASSY.	1		YES
2	BCA06C00060A0	180109010X1	FILLTER, micro	1		YES
4	BFA06C00250A0	27010900231	FUEL FILTER BRACKET (PAINTED)	1		YES
5	MWG1501000GA0	V0010600440	COPPER WASHER	3		YES
6	BFA11A00130A0	27010900340	ADAPTOR ASSY	1		YES
7	BCA06C00360A0	V0010600332	FUEL COCK ASSY	1		YES
8	BFB06C00010A0	27010602540	HOSE FUEL, inlet	1		YES
9	BCA06C00000A0	EC010600231	HOSE FUEL, delivery	1		YES
10	AFA01C00580A0	27010900440	BANJO	1		YES
11	MBA0802004BA0	M10008020	Bolt Hex. Head	2		YES
11a	MNA0806000BA0	M17008	Nut Hexagonal	2		YES
11b	MWL0802003GA0	M30408	Washer Spring	2		YES
11c	MWA0801602GA0	M30008	Plain Washer	2		YES

FIG. 110 GOVERNOR PARTS PAGE-18



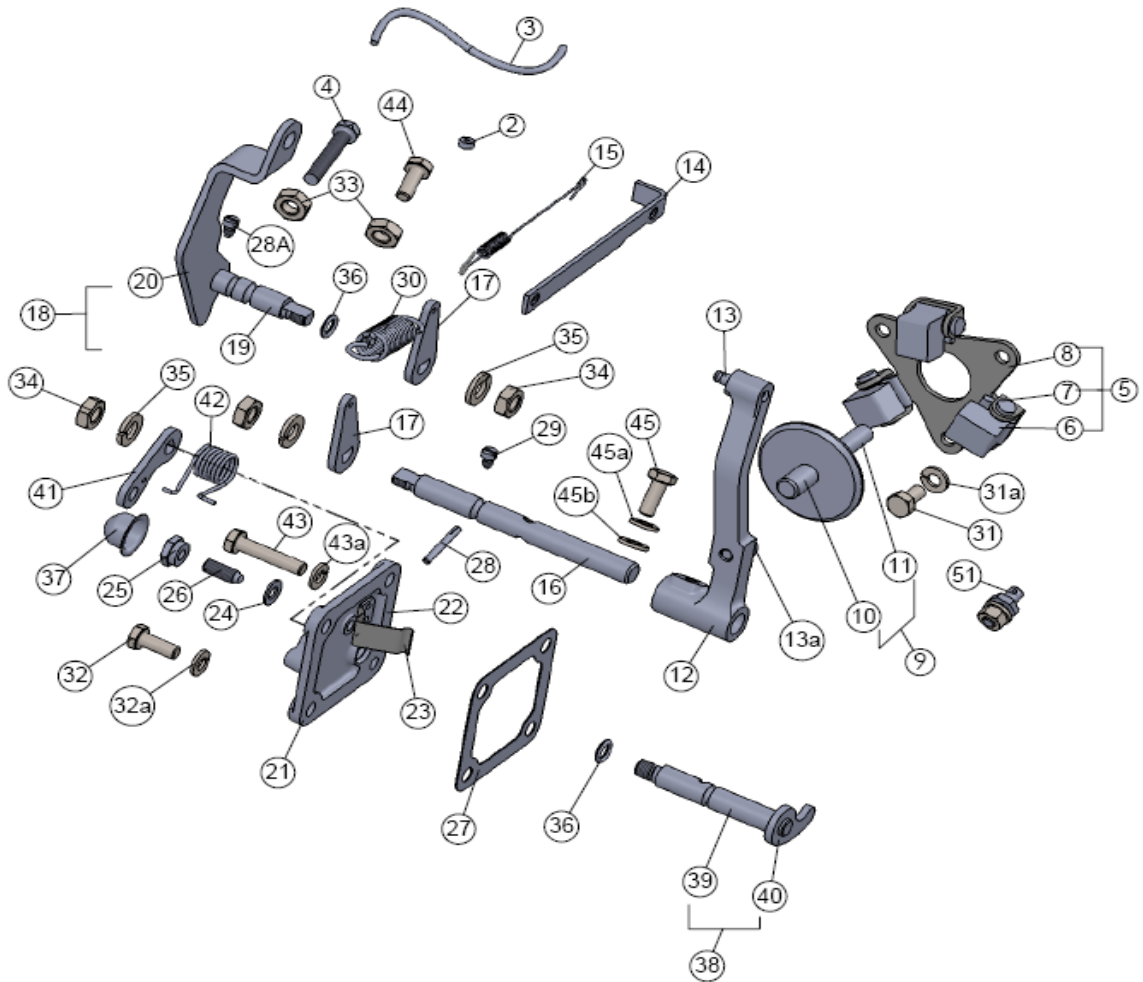
Key no	New ERP Number	Old Parts Number	Parts Name	Quantity	DESCRIPTION	SERVICABLE REMARKS
				270D		
1	BCA07A00010A0	MM407006	GOVERNOR ASSY.	1		NO
2	BCA07C00040A0	MK99200001	METAL, sealing	1		YES
3	BCA07C00050A0	MK99300140	WIRE	1		YES
4	MBA0603500BA0	MM401080	BOLT, high speed set	1		YES
5~8	BCA07A00010A0	MM407006X0K0	GOVERNOR ASSY	1		YES
9~11	BCA07A00020A0	MM407010	SHAFT ASSY. Sliding	1		YES
12	BCA07A00030A0	MM407028	LEVER ASSY. GOVERNOR	1		YES
14	BFA07C00010A0	27011000140	ROD, tie	1		YES
15	BFA07C00020A0	27011000240	SPRING, tie rod	1		YES
16	BCA07C00070A0	MM407031	SHAFT, governor	1		YES
17	BCA07C00080A0	MM4070351	LEVER, governor spring	2		YES
18~20	BCA07A00040A0	MM409237	LEVER ASSY, speed control	1		NO
21~23	BCA07A00050A0	MM409641	COVER ASSY. tie rod	1		NO
24	MGG0601000GA0	MF660031	GASKET	1		YES
25	MNG0000023GA0	MM409168	NUT, special	1		YES

FIG. 110 GOVERNOR PARTS PAGE-19



Key no	New ERP Number	Old Parts Number	Parts Name	Quantity	DESCRIPTION	SERVICABLE REMARKS
				270D		
26	MSG0601403BA0	MM409167	SCREW, adjusting	1		YES
27	MGG0000508GA0	MM4091511	GASKET, cover	1		YES
28	MPG0000023GA0	K8712630	PIN, grooved	1	(3X24)	YES
28A	MSG0400600BA0	18000300140	SCREW, speed control shaft	1		YES
29	MSG0400800BA0	18000300240	SCREW, governor shaft	1		YES
30	BCA07C00150A0	MM409186	SPRING, governor	1		YES
31	MBA0601001BA0	M10006010	BOLT, hex. hd.	3	M6X10	YES
31a	MWL0601502BA0	M30406	WASHER, spring	3	M6	YES
32	MBA0601601BA0	M10006016	BOLT, hex. hd.	3	M6X16	YES
32a	MWL0601502BA0	M30406	WASHER, spring	3	M6	YES
33	MNA0806000BA0	M17008	NUT	2	M8	YES
34	MNA0805000BA0	M172-08	NUT, jam	3	M8	YES
35	MWL0802003GA0	M30408	WASHER, spring	3	M8	YES
36	MRA0000019GA0	MF520002	O-RING	2		YES
37	BCA07C00120A0	MM409169	CAP, sealing	1		YES
38	BFA07A00000A0	27011001440	LEVER ASSY, stop	1		YES
41	BCA07C00200A0	MM409686	LEVER, stop	1		YES
42	BCA07C00220A0	MM413362	SPRING, return	1		YES
43	MBA0603003BA0	M10006030	BOLT, hex. hd.	1	M6X30	YES
43a	MWL0601502BA0	M30406	WASHER, spring	1	M6	YES
44	MBA0603500BA0	MM401080	BOLT, low idle set	1		YES
45	MBA0601601BA0	M10006016	BOLT, hex. hd.	1	M6X16	YES

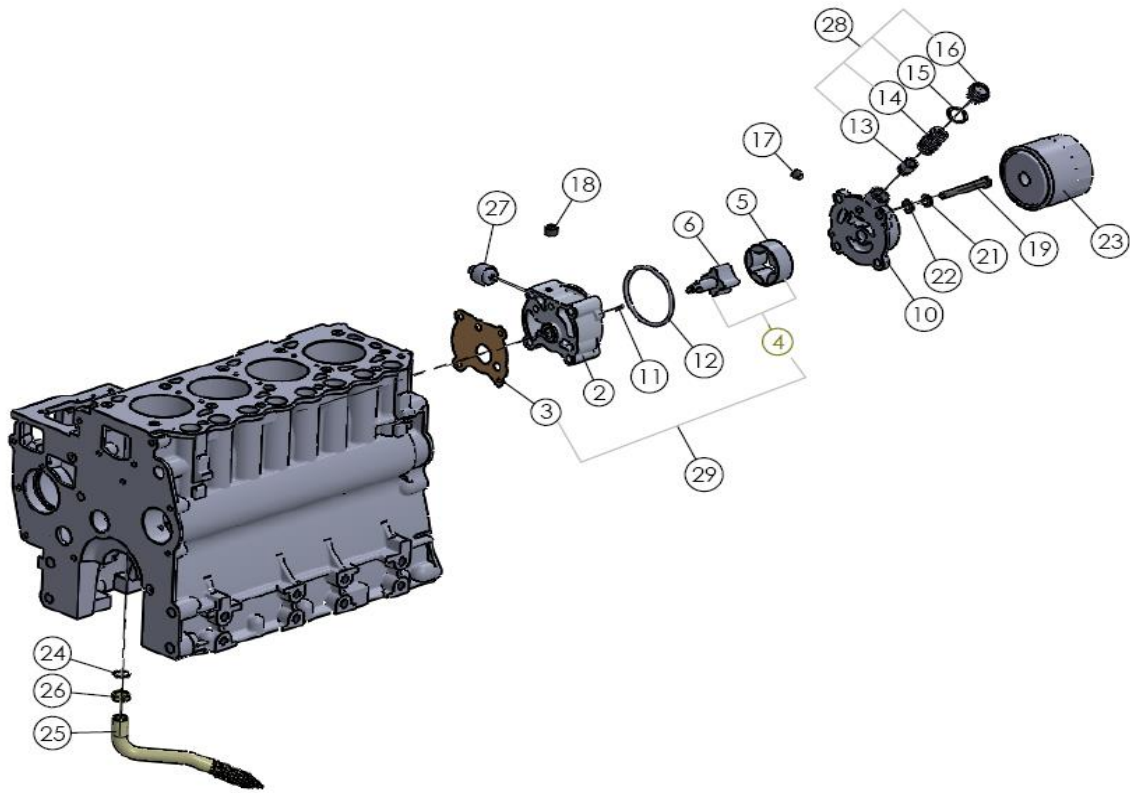
FIG. 110 GOVERNOR PARTS PAGE-20



Key no	New ERP Number	Old Parts Number	Parts Name	Quantity	DESCRIPTION	SERVICABLE REMARKS
				270D		
45a	MWL0601502BA0	M30406	WASHER, spring	1	M6	YES
45b	MWA0701000BA0	M30006	WASHER, plain	1	M6	YES

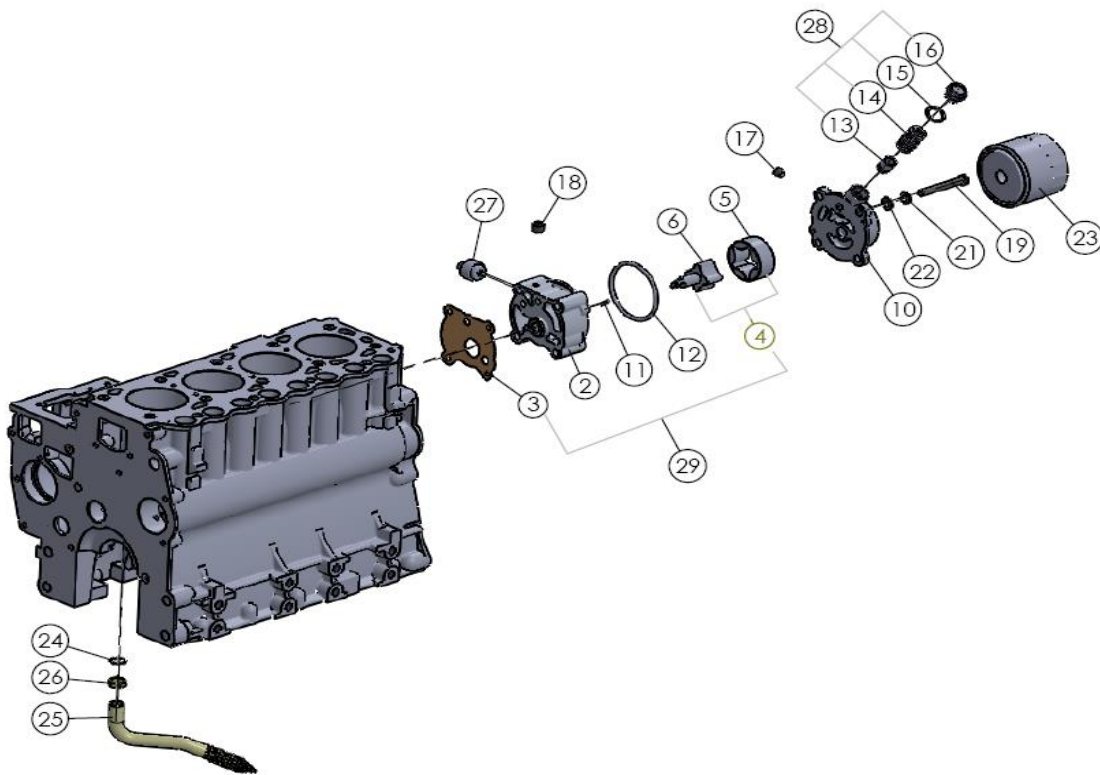


FIG. 111 LUBRICATING PARTS PAGE-21



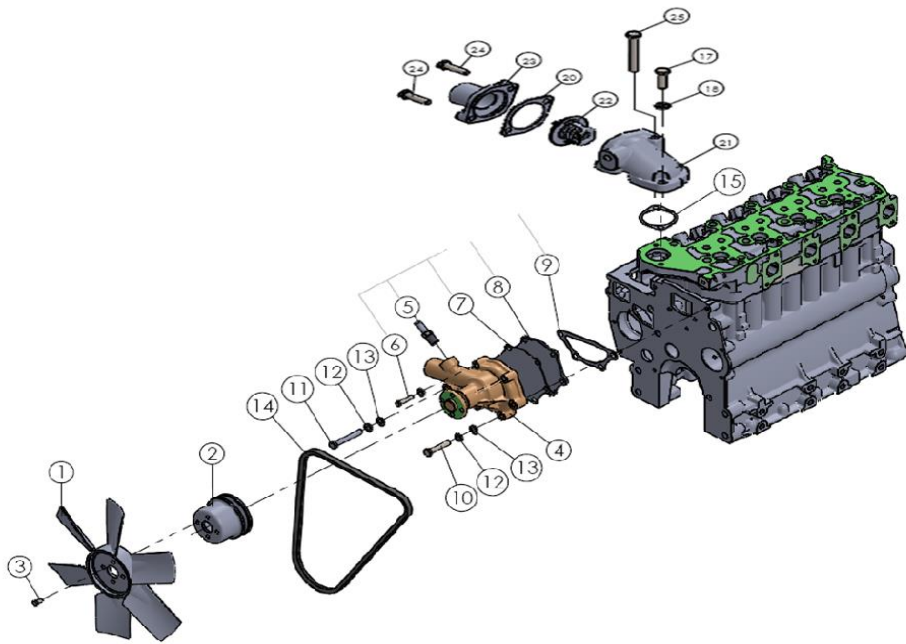
Key no	New ERP Number	Old Parts Number	Parts Name	Quantity	DESCRIPTION	SERVICABLE REMARKS
				270D		
1	BCA01A00270A0	MM4093711	OIL PUMP ASSY.	set		YES
3	MGG0000502GA0	MM4071241	GASKET, oil pump	1		YES
12	MRA0733100GA0	MM407145	O-RING	1		YES
15	MGG1801002GA0	MD000312	GASKET	1		YES

FIG. 111 LUBRICATING PARTS PAGE-22



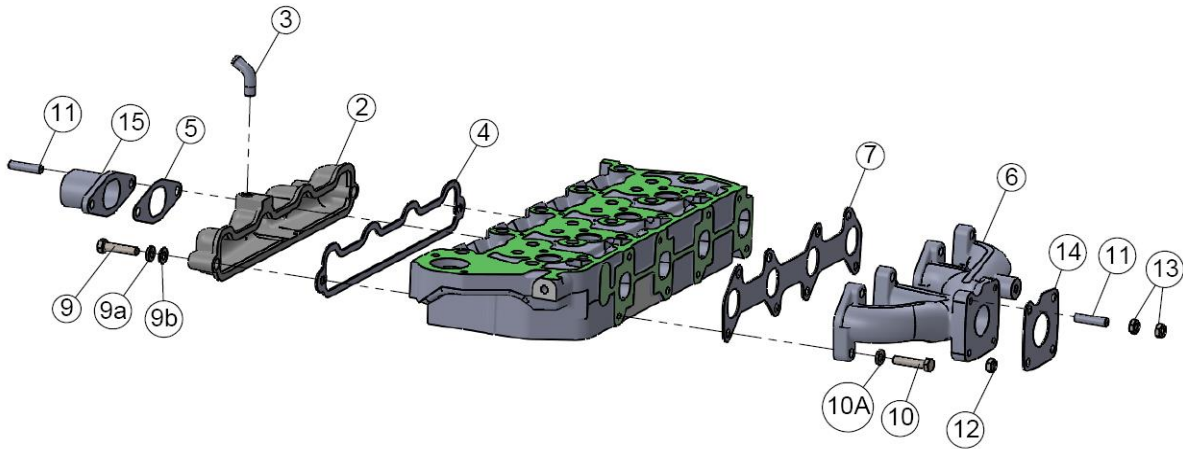
Key no	New ERP Number	Old Parts Number	Parts Name	Quantity	DESCRIPTION	SERVICABLE REMARKS
				270D		
19	MBA0806500BA0	M10008065	BOLT	4	M8X65	YES
21	MWL0802003GA0	M30408	WASHER, spring	4		YES
22	MWA0801602GA0	M30008	WASHER, plain	4	M8	YES
23	BCA01A00410A0	MM409365	FILTER ASSY, oil	1	M8	YES
24	MGG1601000GA0	MF660036	GASKET	1		YES
25	BCA01A00450A0	MM4301753	SCREEN OIL	1		YES
26	MNA1610000BA0	18011100440	SPECIAL, nut	1		YES
27	BCA01C00360A0	MM130066	OIL PRESSURE SWITCH	1		YES
28	BCA01C00550A0	MM409893	KIT, relief valve	1set		NO
29	BCA01C00610A0	MM409894	KIT, rotor	1set		NO

FIG. 112 COOLING PARTS PAGE-23



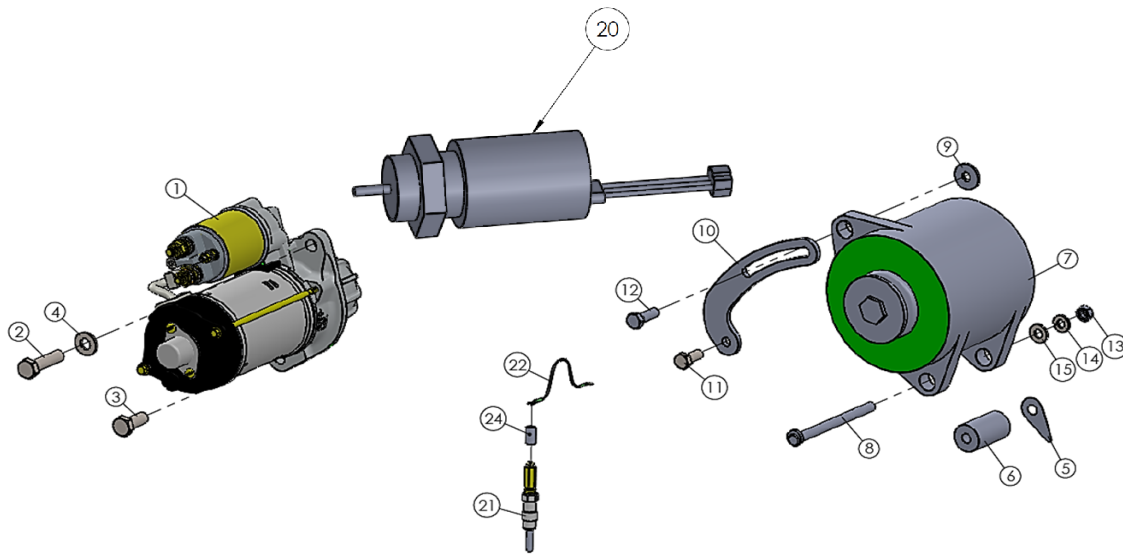
Key no	New ERP Number	Old Parts Number	Parts Name	Quantity	DESCRIPTION	SERVICABLE REMARKS
				270D		
1	BCA03C00430A0	270112002X0	FAN, cooling	1		YES
2	BCA03C00400A0	18011201230	PULLEY, water pump	1		YES
3	MBA0602001BA0	M10006020	BOLT, hex. hd.	4	M6X12	YES
3a	MWL0601502BA0	M30406	WASHER, spring	4	M6	YES
5~8	BCA03A00010A0	MM409301	WATER PUMP ASSY.	1		YES
9	MG0000503GA0	MM4074221	GASKET, water pump	1		YES
10	MBA0804504BA0	M10008045	BOLT, hex. hd.	3	M8X45	YES
11	MBA0806000BA0	M10008060	BOLT, spring	1	M8X60	YES
12	MWL0802003GA0	M30408	WASHER, spring	4	M8	YES
13	MWA0801602GA0	M30008	WASHER, plain	4		YES
14	BCA03C00440A0	MD007528	BELT, fan	1	HML=932	YES
15	MG0000009GA0	MD000551	GASKET	2		YES
17	MBA0803002BA0	M10008030	BOLT, outlet fitting	2	M8X30	YES
18	MWL0802003GA0	M30408	WASHER, spring	2	M8	YES
19	MWA0801602GA0	M30008	WASHER, plain	2	M8	YES
20	MG0000009GA0	MD000551	GASKET	2		YES
21	BCA03C00360A0	18011200520	FITTING,thermostat	1		YES
22	BCA03C00350A0	18011200320	THERMOSTAT	1		YES
23	BCA03C00370A0	18011200621	FITTING,water outlet	1		YES
24	MBA0803002BA0	M10008030	BOLT,Hex. Hd	2	M8x30	YES
24a	MWL0802003GA0	M30408	WASHER, spring	2		YES
24b	MWA0801602GA0	M30008	WASHER, plain	2		YES
25	MBA0807001BA0	M10008070	BOLT, hex. Hd.	1		YES
25a	MWL0802003GA0	M30408	WASHER, spring	1		YES
26	MBA0803002BA0	MF101271	BOLT, outlet fitting	2		YES
27	MWL0802003GA0	M30408	WASHER, spring	2		YES
28	BCA03C00380A0	18011200840	JOINT, water hose	1		YES
32	BCA03A00020A0	MM413741	HOSE ASSY. water drain	1		YES
33	MGC0000001GA0	6730302313	CLIP, hose	1		YES
34	MBA0808000GA0	MF101271	BOLT, water outlet	1		YES

FIG. 113 INTAKE & EXHAUST PARTS



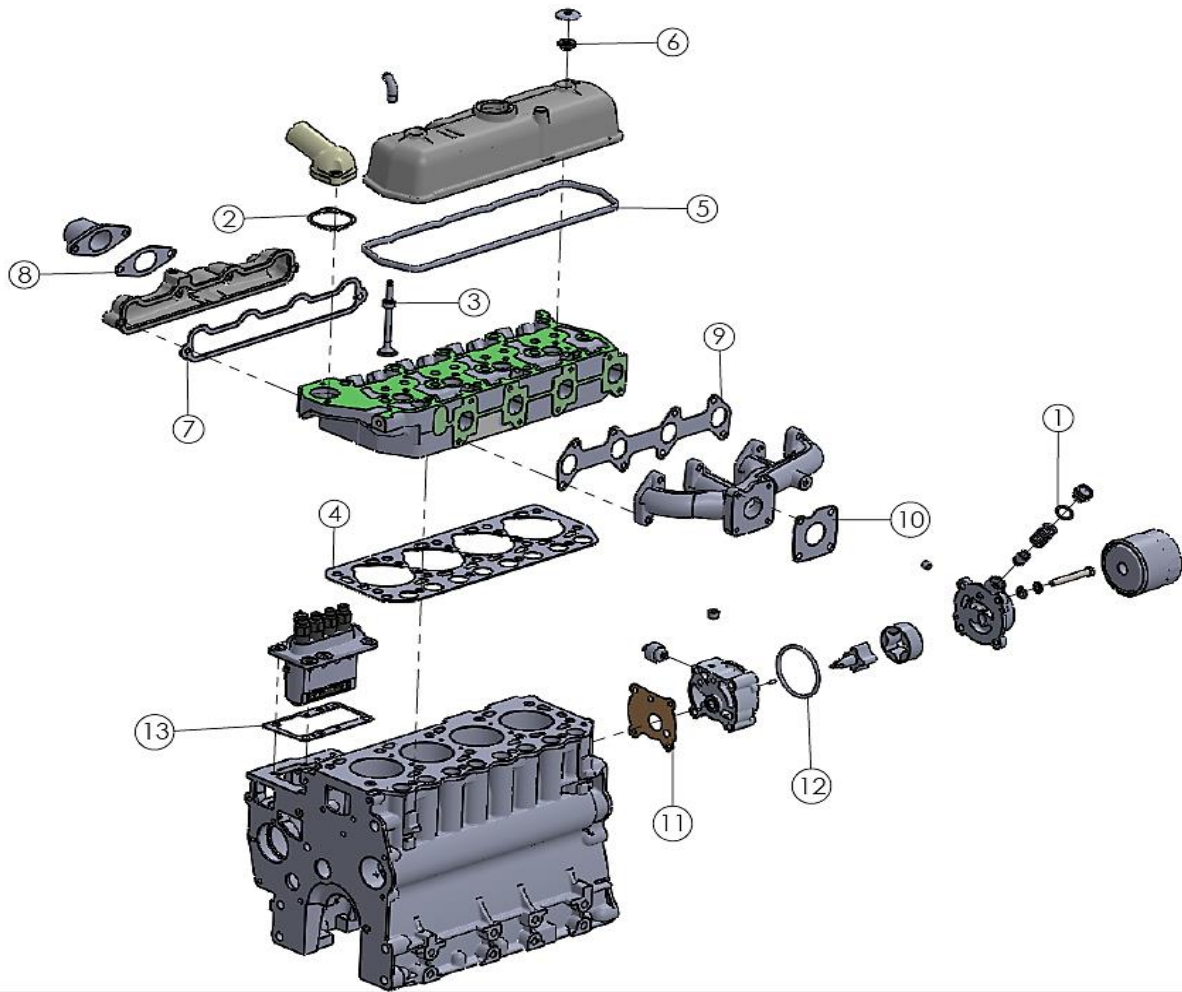
Key no	New ERP Number	Old Parts Number	Parts Name	Quantity	DESCRIPTION	SERVICABLE REMARKS
				270D		
1~3	BFA04A00000A0	2701130A410	COVER ASSY, intake	1		NO
2	BFA04C00000A0	27011300410	COVER , intake	1		YES
3	BCA01C00200A0	18010300140	ELBOW, air breather	1		YES
4	BFA04C00030A0	27011300530	GASKET, MANIFOLD INTAKE V4C	1		YES
5	MGG0000507GA0	MM408566	GASKET, pipe inlet	1		YES
6	BFA05C00001A0	27011300110	MANIFOLD, exhaust	1		YES
7	BFA05C00020A0	27011300220	GASKET, manifold exhaust	1		YES
9	MBA0804003BA0	M10008040	BOLT, hex. hd.	1	M8X40	YES
9a	MWL0802003GA0	M30408	WASHER, spring	1	M8	YES
9b	MWA0801602GA0	M30008	WASHER, plain	1	M8	YES
10	MBA0803502BA0	M10008035	BOLT, hex. hd.	7	M8X35	YES
10a	MWL0802003GA0	M30408	WASHER, spring	7	M8	YES
11	MDG0802501GA0	MF401936	STUD	4	M8X25	YES
12	MNA0806000BA0	M17008	NUT	1	M8	YES
13	MNG0806500GA0	MD0005691	NUT	8	M8	YES
14	BFA05C00030A0	27011300340	GASKET MUFFLER	1		YES
15	BCA04C00190A0	27011300641	PIPE,INLET	1		YES

FIG. 114 ELECTRICAL EQUIPMENT PAGE-26



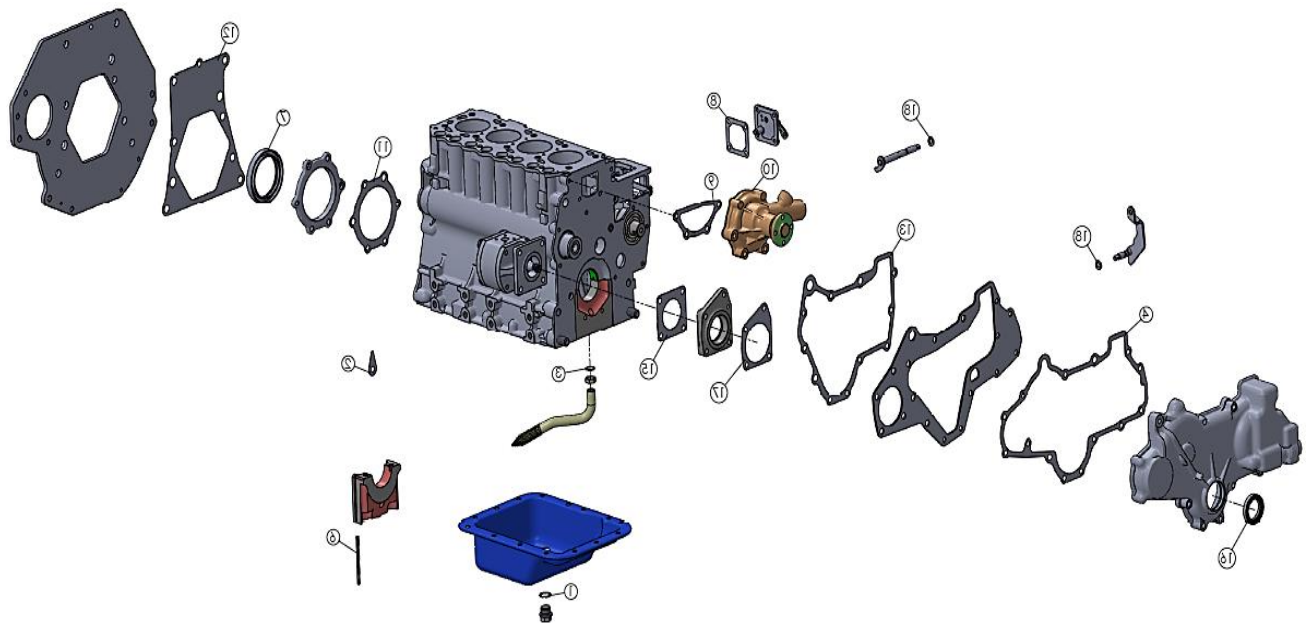
Key no	New ERP Number	Old Parts Number	Parts Name	Quantity	DESCRIPTION	SERVICABLE REMARKS
				270D		
1	BCA34A00050A0	18011500110	STARTER ASSY. (AUTOLEK)	1	(12V-1.6KW)	YES
2	MBA1004002BA0	M10010040	BOLT, hex. hd.	1	M10X40	YES
3	MBA1002502BA0	M10010025	BOLT, hex. hd.	1	M10X25	YES
3a	MWL1002503GA0	M30410	WASHER, spring	1	M10	YES
4	MWL1002503GA0	M30410	WASHER, spring	1	M10	YES
5	MG50000202GA0	MD001517	SHIM	AR		YES
6	BCA34C00030A0	MM409328	SPACER	1		YES
7	BCA34P00000A0	MD0176451	ALTERNATOR	1	(12V-35A):M	YES
8	MBG0000021GA0	MD0176251	BOLT, hex. hd.	1	M8X85	YES
9	MWG0902001BA0	MD001521	WASHER	1		YES
10	BCA34C00020A0	18011600140	BRACE, generator	1		YES
11	MBA0801602BA0	M10008016	BOLT, hex. hd.	1	M8X16	YES
11a	MWL0802003GA0	M30408	WASHER, spring	1	M8	YES
12	MBA0802504BA0	M10008025	BOLT, hex. hd.	1	M8X25	YES
13	MNA0806000BA0	M17008	NUT	1	M8	YES
14	MWL0802003GA0	M30408	WASHER, spring	1	M8	YES
15	MWA0801602GA0	M30008	WASHER, plain	1	M8	YES
16	BCA34C00460A0	180114006X0	Glow plug	3		YES
17	BCA34C00480A0	MM4095115	WIRE, glow plug lead	2		YES
18	BFA34C00050A0	18011400241	ADAPTOR, glow plug	3		YES
19	MSG0400803GA0	M1394x08	SCREW, flat hd.	3	M5X10	YES
20	JTA06A00020A0		SOLENOID SWITCH ASSY	1		YES

FIG. 117 REPAIR GASKET KIT (1/2)



Key no	New ERP Number	Old Parts Number	Parts Name	Quantity	DESCRIPTION	SERVICABLE REMARKS
				270D		
1~13	BFA97C00060A0	270117001X0	GASKET KIT (1/2)	1		YES

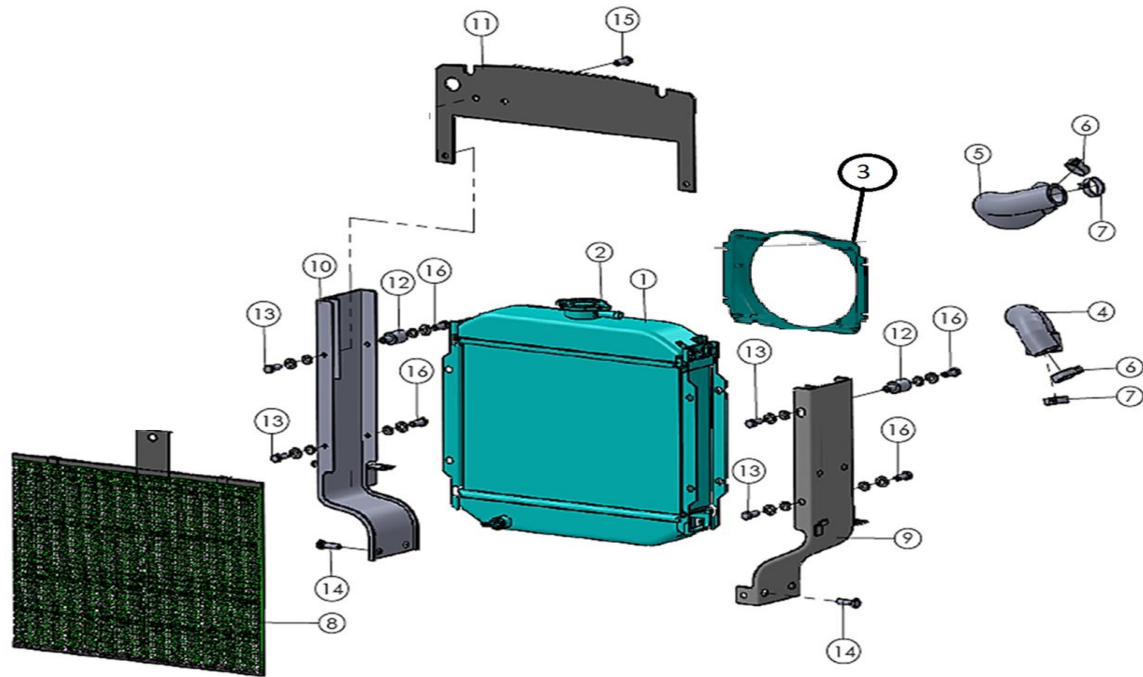
FIG. 118 REPAIR GASKET KIT (2/2)



Key no	New ERP Number	Old Parts Number	Parts Name	Quantity	DESCRIPTION	SERVICABLE REMARKS
				270D		
1~18	BFA97C00100A0	270117002X0	GASKET KIT (2/2)	1		YES

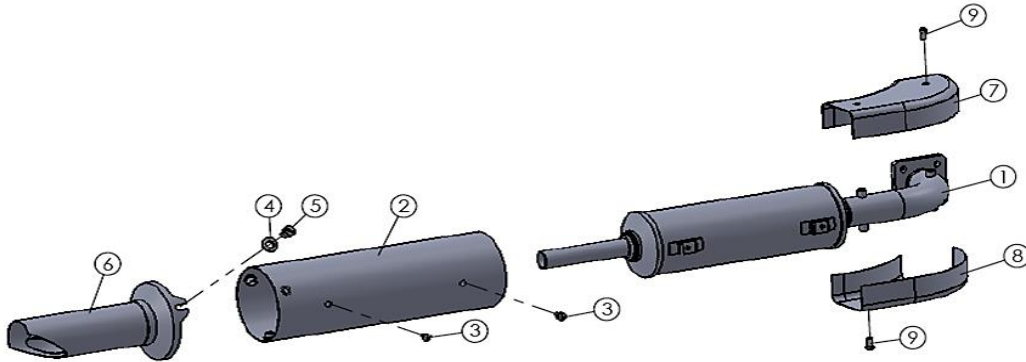


FIG. 201 RADIATOR PAGE-34



Key no	New ERP Number	Old Parts Number	Parts Name	Quantity	DESCRIPTION	SERVICABLE REMARKS
				270D		
1~2	BCA03A00040A0	270201000X0	RADIATOR	1		YES
2	BCA03C00040A0	6940100812	CAP	1		YES
3	BCA03C00130A0	18020100910	SHROUD FAN	1		YES
4	BCA03C00150A0	19740013002	HOSE, inlet	1		YES
5	BCA03C00060A0	10070014011	HOSE, outlet	1		YES
6	MGC5001600GA0	501100500	CLAMP, hose	2	Ø50	YES
7	MGC4501600GA0	501100450	Band, hose	2	Ø45	YES
8	BCA03C00280A0	270201007X0	Net Radiator Painted 27 HP	1		YES
9	BCA03C00260A0	270201002x0	BRACKET LH, radiator painted	1		YES
10	BCA03C00270A0	270201003x0	BRACKET RH, radiator painted	1		YES
11	BCA03C00250A0	220201011x0	PLATE RADIATOR PAINTED	1		YES
12	BCA03C00140A0	18020101140	INSULATOR RADIATOR	4		YES
13	MBA0802004BA0	M10008020	BOLT, hex. hd	4	M8X25	YES
13a	MWA0801602GA0	M30008	WASHER, plain	4	M8	YES
13b	MWL0802003GA0	M30408	WASHER, spring	4	M8	YES
14	MBA0802504BA0	M10008025	BOLT, hex. hd	4	M8X25	YES
15	MBA0602001BA0	M10006020	BOLT HEX HEAD	2		YES
15a	MWL0601502BA0	M30406	Washer Spring	2		YES
15b	MWA0701000BA0	M30006	Washer plain	2		YES
16	MBA0802504BA0	M10008025	BOLT, hex. hd	4	M8X25	YES
16a	MWA0801602GA0	M30008	WASHER, plain	4	M8	YES
16b	MWL0802003GA0	M30408	WASHER, spring	4	M8	YES

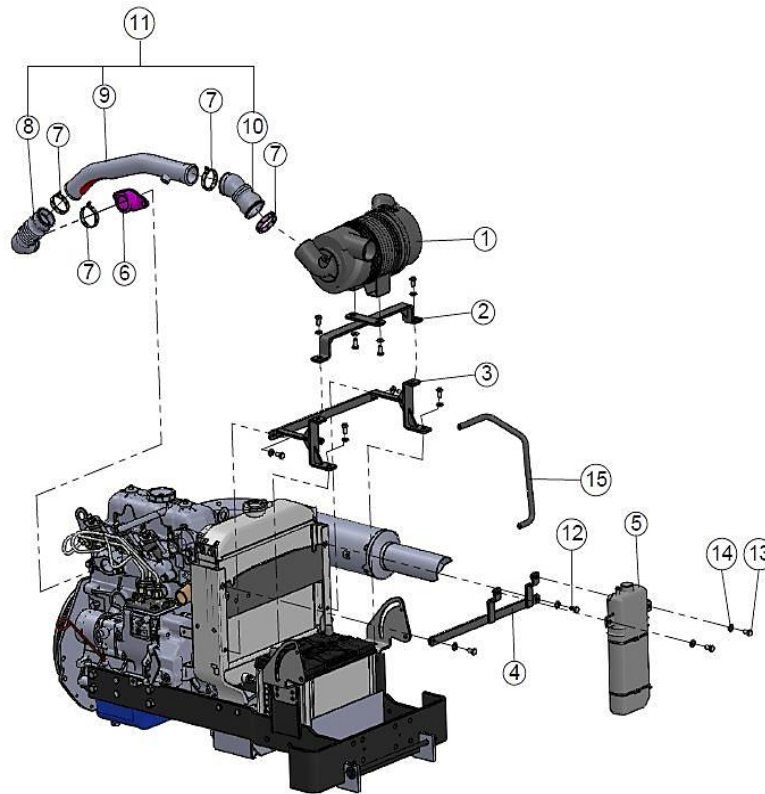
FIG. 202 MUFFLER



Key no	New ERP Number	Old Parts Number	Parts Name	Quantity	DESCRIPTION	SERVICABLE REMARKS
				270D		
1~9	JTA05P00000A0	JTA05P00000A	MUFFLER ASSY.	1		YES
1	BFA05C00010A0	27020200101	MUFFLER	1		No
2	BCA05C00020A0	10210312000	COVER, body	1		No
6	BCA05C00060A0	19825301001	PIPE, tail	1		No
7	BCA05C00030A0	10210315001	COVER, front	1		No
8	BCA05C00040A0	10210321001	COVER, rear	1		No

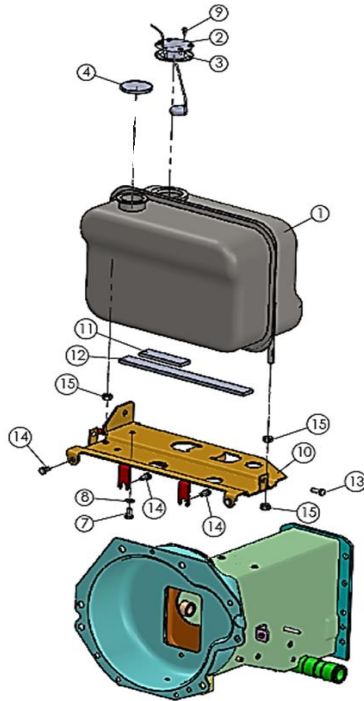
FIG. 203 DRY TYPE AIR CLEANER

**DRY TYPE AIR CLEANER**



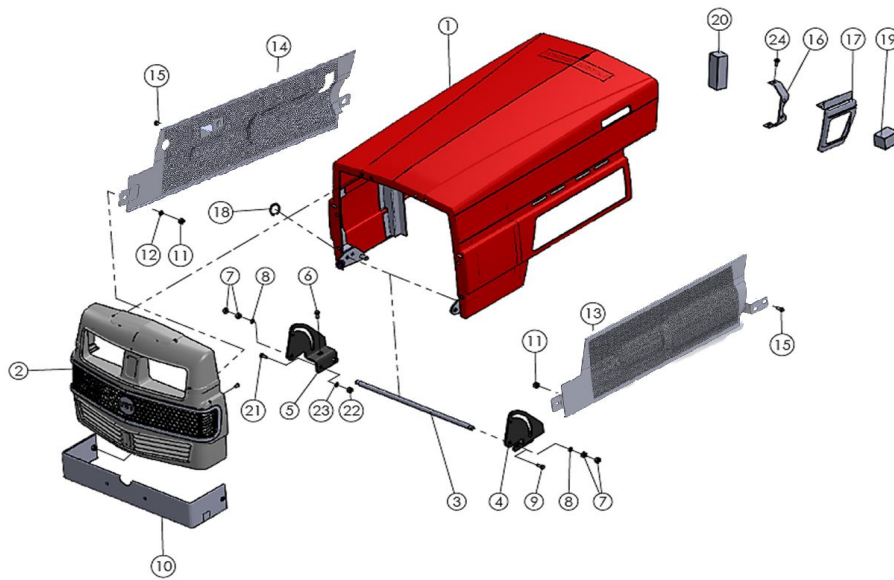
Key no	New ERP Number	Old Parts Number	Parts Name	Quantity	DESCRIPTION	SERVICABLE REMARKS
				270D		
1	BCA04C00120A0	17020300120	Dry type Air Cleaner (AC)	1		YES
1a	BCA04C00140A0	17020300330	PRIMARY AIR FILTER	1		YES
1b	BCA04C00130A0	17020300230	SECONDARY FILTER	1		YES
2	BCA04C00250A0	220203003X0	MOUNTING BRACKET PAINTED	1	22020300320	YES
3	BCA04C00110A0	220203002X2	AC Bracket Painted	1	22020300222	YES
4	BCA04C00230A0	220201009X0	Coolant tank bracket Painted	1	22020100930	YES
5	BCA04C00200A0	27020101210	coolant tank	1		YES
6	BCA04C00010A0	27011300640	Pipe inlet	1		YES
7	MGC6000500GA0	27080701430P0	Clamp hose	4		YES
8	BCA04C00260A0	27020301131	Bellow engine end	1		YES
9	BCA04C00280A0	27020301311	Hose centre duct	1		YES
10	BCA04C00270A0	27020301231	Bellow air cleaner end	1		YES
11	BCA04A00050A0	27020301430	Assy Air Duct (Virat Plus)	1		YES
12	MBA0801602BA0	M10008016	Bolt	10		YES
13	MBA0802004BA0	M10008020	Bolt	2		YES
14	MWA0801602GA0	M30008	Washer, plain	12		YES
14a	MWL0802003GA0	M30408	Washer, spring	12		YES
15	BCA04C00240A0	22020101XX1	RUBBER HOSE COOLANT TANK	1		YES
16	BCA04C00290A0	BT0203001X0	MOUNTING BRACKET PAINTED (HOSE CE	1		YES
17	BEK25C00000A0	EC0401004X0	COVER PLATE ( BONNET) PAINTED	1		YES

FIG. 301 FUEL SYSTEM



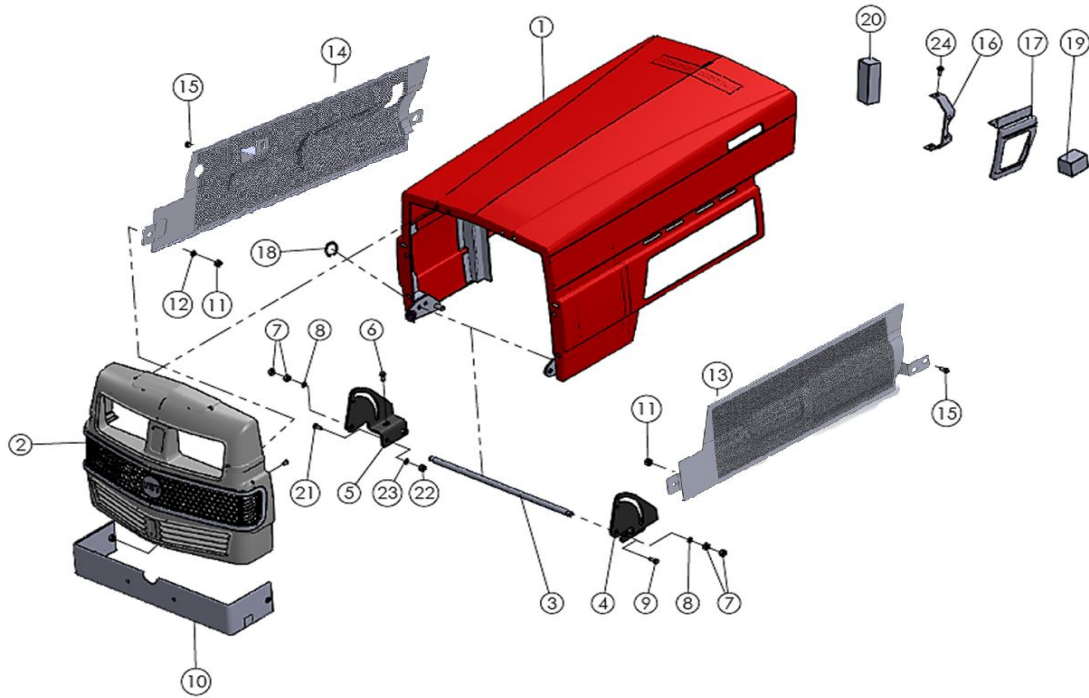
Key no	New ERP Number	Old Parts Number	Parts Name	Quantity	DESCRIPTION	SERVICABLE REMARKS
				270D		
1~9	BCA06A00180A0	220301000X0	Fuel Tank Assy Painted (Lock Type)	1		YES
1	BCA06A00181A0	22030100000	Fuel tank (Lock Type)	1		YES
2~3	BCA06C00500A0	10210113000	FUEL, unit	1		YES
3	BCA06C00510A0	11740118111	PACKING, rubber	1		NO
4	BCA06C00570A0	220301001X0	CAP, fuel tank with lock	1		YES
6	BFA06C00260A0	22030100230	Strainer Fuel tank (lock type)	1		NO
7	MUG0800000GA0	18060400840	PLUG	1		YES
8	MWN0701600GA0	8330000801	Washer Seal	1	M8	YES
9	MSG0401002GA0	M13004010	SCREW	5	M4X10	YES
9a	MWA0400801GA0	M30004	WASHER, plain	5	M4	YES
9b	MWL0401002GA0	M30404	WASHER, spring	5	M4	YES
10	BFA06C00270A0	270301003X0	Bracket Tank Painted	1		YES
11	BCA06C00490A0	10190106000	CUSHION, tank	1		YES
12	BCA06C00480A0	10190105000	RUBBER	2		YES
13	MBA0802004BA0	M10008020	BOLT, hex. hd	2	M8X20	YES
13a	MWA0801602GA0	M30008	WASHER, plain	2	M8	YES
13b	MWL0802003GA0	M30408	WASHER, spring	2	M8	YES
14	MBA0801602BA0	M10008016	BOLT, hex. hd	4	M8X16	YES
14a	MWA0801602GA0	M30008	WASHER, plain	4	M8	YES
14b	MWL0802003GA0	M30408	WASHER, spring	4	M8	YES
15	MNA1008001BA0	M17010	NUT, hex	4	M10	YES
16	MWN0000004GA0	18030100140	WASHER, seal	1		YES
17	JTA06C00000A0	JTA06C00000A	CABLE STOP BRACKET PAINTED	1	JTA06C00001A	YES
17a	MBA0602001BA0	M10006020	BOLT, hex. hd	1		YES
17b	MWA0701000BA0	M30006	WASHER, plain	1		YES
17c	MWL0601502BA0	M30406	WASHER, spring	1		YES
17d	MNA0605501BA0	M17006	NUT, hex	1		YES

FIG. 401 BONNET PAGE-40



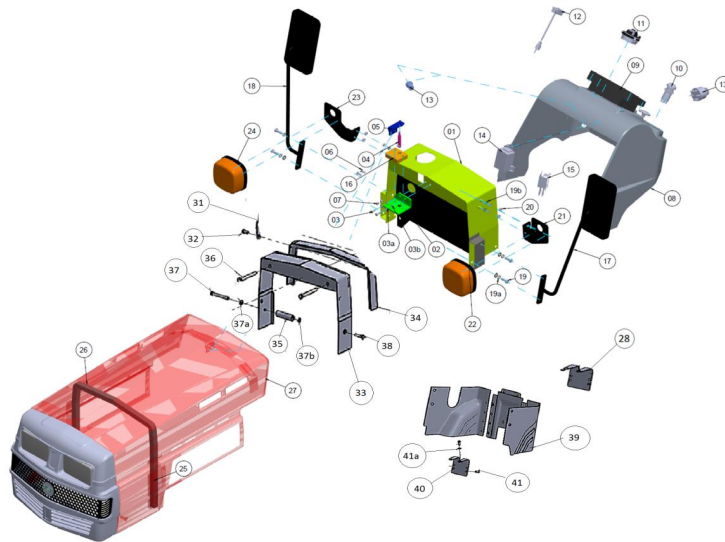
Key no	New ERP Number	Old Parts Number	Parts Name	Quantity	DESCRIPTION	SERVICABLE REMARKS
				270D		
1	JDA25C00000A0	JDA25C00000A	BONNET	1		YES
2	BCA25A00120A0	27040100120	GRILL Assy	1		YES
5	MSG0500800GA0	M13005008	SCREW, tapping	6	M5X8	YES
5a	MWA0500802GA0	M30005	WASHER, plain	6	M5	YES
3	BCA25C00280A0	10192524001	BAR	1		YES
4	BCA03C00260A0	270201002X0	BRACKET, L.H RADIATOR PAINTED (27HP)	1		YES
5	BCA03C00270A0	270201003X0	BRACKET, R.H RADIATOR PAINTED (27HP)	1		YES
6	MBA0801602BA0	M10008016	BOLT, hex. hd	2	M8X16	YES
6a	MWL0802003GA0	M30408	WASHER, plain	2	M8	YES
6b	MWA0801602GA0	M30008	WASHER, spring	2	M8	YES
7	MNA1008001BA0	M17010	NUT	2	M10	YES
7a	MND1006000GA0	MF4307261	NUT JAM	2		YES
8	MWA1101600BA0	M30010	WASHER, plain	2	M10	YES
9	MBA0802004BA0	M10008020	BOLT, hex. hd	3	M8X20	YES
9a	MWL0802003GA0	M30408	WASHER, plain	3	M8	YES
9b	MWA0801602GA0	M30008	WASHER, spring	3	M8	YES
10	BCA25C00360A0	220401005X1	COVER PAINTED	1		YES
11	MNA0806000BA0	M17008	NUT	2	M8	YES
12	MWA0801602GA0	M30008	WASHER, plain	2	M10	YES
13	JTA02C00010A	JTA02C00010A	Engine side cover LH (painted)	1	JTA02C00010C	YES
14	JTA02C00000A	JTA02C00000A	Engine side cover RH (painted)	1	JTA02C00001C	YES
15	MBA0801602BA0	M10008016	BOLT, hex. hd	7	M8X16	YES
15a	MWA0801602GA0	M30008	WASHER, plain	7	M8	YES
15b	MWL0802003GA0	M30408	WASHER, spring	7	M8	YES
16	BFE04C00040A0	27040100540	PLATE	1		YES

FIG. 401 BONNET PAGE-41



Key no	New ERP Number	Old Parts Number	Parts Name	Quantity	DESCRIPTION	SERVICABLE REMARKS
				270D		
17	BCA25C00320A0	180401010x0	Cover, Rear Side Painted	1		YES
18	MLS0800800BA0	7420100800	E-RING	1	∅8	YES
21	MBA0802504BA0	M10008025	BOLT, hex. hd	1		YES
21a	MWL0802003GA0	M30408	WASHER, spring	1		YES
22	MNA0806000BA0	M17008	NUT, hex. hd	1	M8X25	YES
23	MWL0802003GA0	M30408	WASHER, spring	1	M8	YES
24	MSG0601604GA0	M1306X16	Screw Round Head	1	M8	YES
24a	MWA0701000BA0	M30006	WASHER, plain	1	M8	YES
24b	MWA0701000BA0	M30006	WASHER, spring	2	M8X16	YES

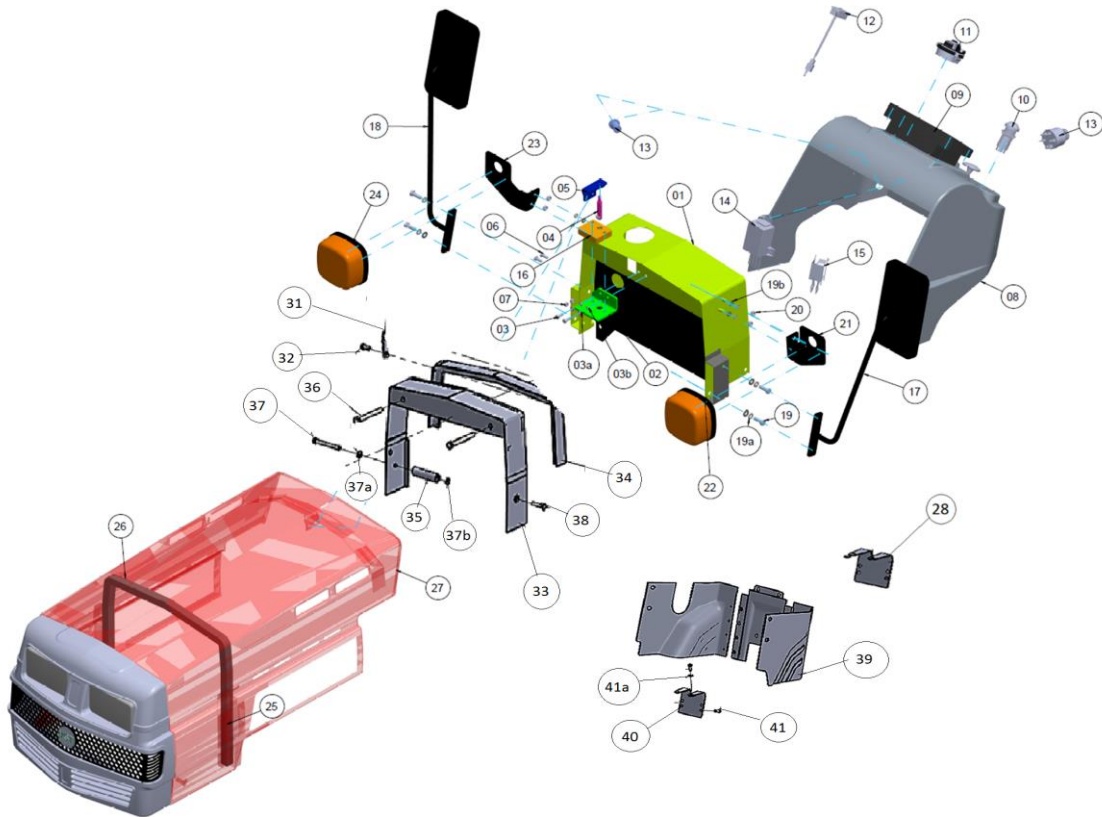
FIG. 402 INSTRUMENT PANEL



Key no	New ERP Number	Old Parts Number	Parts Name	Quantity	DESCRIPTION	SERVICABLE REMARKS
				270D		
1	JTA23C00010A0	JDA06C00000A	Cover Tank Painted	1		YES
2	BCA03C00000A0	BCA03C00000A	LOCKER BRACKET	1		YES
3	MBA0603501BA0	M10006035	HEX HEAD BOLT	2	M6X16	YES
3a	MWA0701000BA0	M30006	WASHER, PLAIN	2	M6	YES
3b	MWL0601502BA0	M30406	WASHER SPRING	2	M6	YES
4	JDA25C00030A0	JDA25C00030B	LATCH PIN	1		YES
5	JDA25C00010A0	JDA25C00010A	LATCH BRACKET	1		YES
6	MBA0601601BA0	M10006016	BOLT, hex. hd	2	M6X16	YES
6a	MWA0701000BA0	M30006	WASHER, plain	2	M6	YES
7	MNA0605501BA0	M17006	NUT	2	M6	YES
8	JTA32C00000A0	JDA32C00000A	COVER PANEL (EURO MODEL)	1		YES
9	BFA32A00020A0	221003001X2	INSTRUMENT CLUSTER	1	IP 63	YES
9	JDB34P00040A0		INSTRUMENT CLUSTER	1	IP 67	
9a	MSG0603000GA0	M13006030	SCREW, round hd.	5	M6X30	YES
9b	MWA0701000BA0	M30006	WASHER, plain	5	M6	YES
9c	MWL0601502BA0	M30406	WASHER, spring	5	M6	YES
10	JEB32C00000A0	EC100201640	STOP SWITCH	1		YES
11	BFA32C00070A0	221003005x0	COMBINATION SWITCH	1		YES
12	JDA34C00030A0	JDA34C00030A	PARKING INDICATOR LIGHT LED	1	IP 63	YES
12	JDA34P00060		PARKING INDICATOR LIGHT LED	1	IP 67	
13	BCA34C00540A0	221003007X0	STARTER SWITCH WITH KEY	1	IP 63	YES
13	JDA34P00000A1		STARTER SWITCH WITH KEY	1	IP 67	
14	JDA34C00010A0	JDA34C00010A	OPSM	1	IP 63	YES
14	JDA34P00080A1		OPSM	1	IP 67	
15	JDA34C00020A0	JDA34C00020A	RELAY EXPORT	1	IP 63	YES
15	JDA34P00090A0		RELAY EXPORT	1	IP 67	
16	JDA25P00000A0	JDA25P00000A	BONNET LATCH SEAT LOCKER WITH CABL	1		YES
17	JDA38P00000A0	JDA38P00000A	REAR VIEW MIRROR LH	1		YES
18	BCA32A00020A0	18040201432	REAR VIEW MIRROR RH	1		YES
19	MBA0802004BA0	M10008020	BOLT, hex. hd	4		YES
19a	MWL0802003GA0	M30408	WASHER SPRING	10	M8	YES
19b	MWA0801602GA0	M30008	PLAIN WASHER	10	M8	YES
20	MNA0806000BA0	M17008	NUT	4	M8	YES



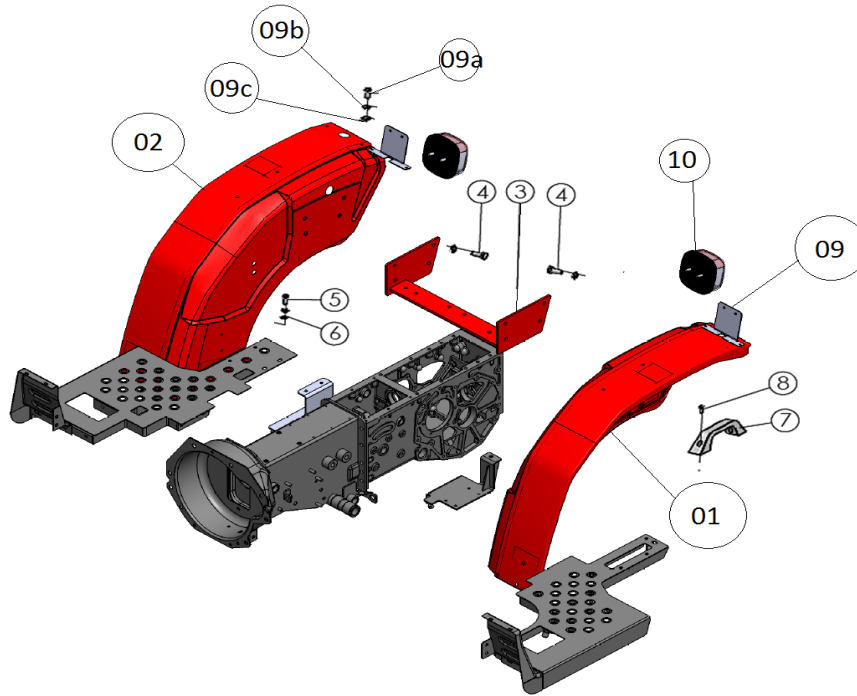
FIG. 402 INSTRUMENT PANEL



Key no	New ERP Number	Old Parts Number	Parts Name	Quantity	DESCRIPTION	SERVICABLE REMARKS
				270D		
21	BEK26C00000A0	221002003X0	Indicator bracket Front LH painted (22HP	1		YES
22&24	BCA34C00500A0	181002012X0	FRONT INDICATOR RH & LH	2		YES
23	BEK26C00010A0	221002004X0	Indicator bracket Front RH painted (22HP	1		YES
25	BCA32C00040A0	10192598300	CUSHION	1		YES
26	BCA32C00030A0	10192598001	CUSHION	2		YES
27	BCA32C00050A0	10192598602	CUSHION	1		YES
28	BFA32C00020A0	101925450X2	HOLDER PAINTED	1		YES
29	MBA0802004BA0	M10008020	BOLT, hex. hd	2	M8X20	YES
30	JDA25C00020A0	JDA25C00020A	LOCKER WITH KEY	1		YES
31	BCA32C00010A0	10192588001	PLATE	1		YES
32	MBA0801602BA0	M10008016	BOLT, hex. hd	4	M8X16	YES
32a	MWL0802003GA0	M30408	WASHER, spring	4	M8	YES
32b	MWA0801602GA0	M30008	WASHER, plain	4	M8	YES
33	JTA23C00000A0	JTA23C00000A	COVER TANK EXTENSION (27HP)(PAINTE	1		YES
34	BFA32C00050A0	27040200420	BEADING (COVER TANK EXTENSION)	1		YES
35	BFA32C00060A0	27040200520	Spacer	1		YES
36	MBA1010000BA0	M10010100	Bolt Hex head	2		YES
36a	MWL1002503GA0	M30410	WASHER, SPRING	2		YES
36b	MWA1101600BA0	M30010	WASHER, PLAIN	2		YES
37b	MWA0801602GA0	M30008	Plain washer	2		YES

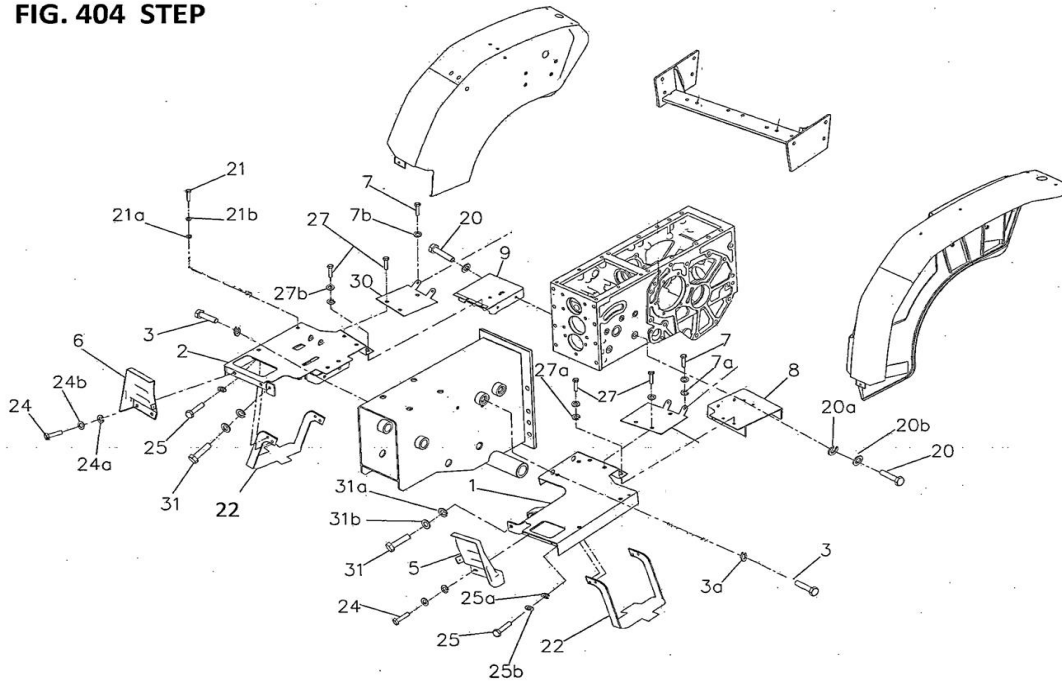
38	MBA0804003BA0	M10008040	BOLT HEX HEAD	1		YES
39	JTA16A00000A0	JTA16A00000A	BOTTOM COVER ASSY	1		YES
40	BCA04C00090A0	180203003X2	Holder Painted	1		YES
41	MBA0802004BA0	M10008020	BOLT, hex. hd	4	M8X20	YES
41a	MWL0802003GA0	M30408	WASHER, spring	4	M8	YES
41b	MWA0801602GA0	M30008	WASHER, plain	4	M8	YES
42	BCA03C00090A0	10212673000	BAND, rubber	1		YES
43	JDA23C00040A0		CUSHION B	1		YES
44	BCA25C00190A0	19212524000	CUSHION	1		YES
46	BCA32C00130A0	19822541000	CUSHION	2		YES
47	JDA98C00000A0	JDA98C00000A	DOME NUT M8	4		YES

FIG. 403 FENDER



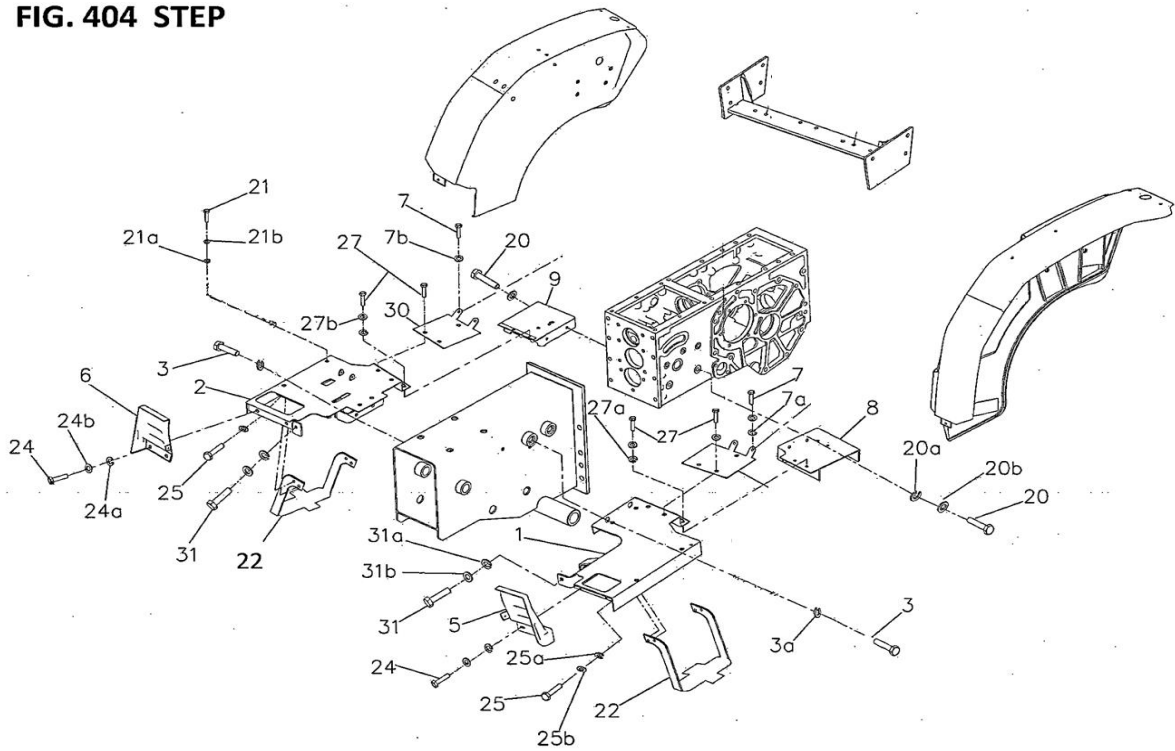
Key no	New ERP Number	Old Parts Number	Parts Name	Quantity	DESCRIPTION	SERVICABLE REMARKS
				270D		
1	BSA26C00000A0	BSA26C00000A	FENDER rear LH PAINTED	1		YES
2	BSA26C00010A0	BSA26C00010A	FENDER rear RH PAINTED	1		YES
3	BEJ26C00030A0	270403005X0	BRACKET FENDER (27SMT PAINTED)	1		YES
4	MBA1002502BA0	M10010025	BOLT, hex. hd	8	M10X25	YES
4a	MWL1002503GA0	M30410	WASHER, spring	8	M10	YES
5	MBA0802004BA0	M10008020	BOLT, hex. hd	6	M8X20	YES
5a	MWL0802003GA0	M30408	WASHER, spring	6	M6	YES
6	MWA0801602GA0	M30008	WASHER, plain	6	M6	YES
7	BCA26C00040A0	18040300830	ARM REST PLASTIC	1		YES
8	MSG0603000GA0	M13006030	BOLT, hex. hd	2	M6X16	YES
8a	MWA0701000BA0	M30006	WASHER, plain	2	M6	YES
9	BFB34C00000A0	181002018X0	Bracket Indicator Rear Painted	2		YES
9a	MBA0801602BA0	M10008016	BOLT, hex. hd	4		YES
9b	MWA0801602GA0	M30008	PLAIN WASHER	4		YES
9c	MWL0802003GA0	M30408	SPRING, washer	4		YES
10	BCA34C00510A0	181002013X0	REAR INDICATOR	2		YES
11	BFA26C00180A0	18100201440	RUBBER PAD (FENDER)	4		YES

FIG. 404 STEP



Key no	New ERP Number	Old Parts Number	Parts Name	Quantity	DESCRIPTION	SERVICABLE REMARKS
				270D		
1	JTA28C00000A0	JTA28C00000A	STEP 'A' - LH (24HP) (PAINTED)	1	JTA28C00001A	YES
2	JTA28C00020A0	JTA28C00020A	STEP RH 'A' PAINTED	1	BT040400600	YES
3	MBA1404001GA0	M10014040	BOLT, HEX.HD	4	M14X45	YES
3b	MWL1403502GA0	M30414	WASHER, PLAIN	4	M14	YES
5	BFA28C00350A0	270404008x0	COVER LH, FOOT painted	1		YES
6	BFA28C00360A0	270404010x0	COVER RH, FOOT painted	1		YES
7	MBA0802004BA0	M10008020	BOLT, HEX.HD	4	M8X20	YES
7a	MWL0802003GA0	M30408	WASHER, SPRING	4	M8	YES
7b	MWA0801602GA0	M30008	WASHER, PLAIN	4	M8	YES
8	JTA28C00010A0	JTA28C00010A	STEP 'B' LH PAINTED	1	JTA28C00011A	YES
9	BFA28C00380A0	270404004X0	STEP 'B' RH PAINTED	1		YES
20	MBA1002502BA0	M10010025	BOLT, HEX.HD	4	M10X25	YES
20a	MWL1002503GA0	M30410	WASHER, SPRING	4	M10	YES
20b	MWA1101600BA0	M30010	WASHER, PLAIN	4	M10	YES
21	MBA0802004BA0	M10008020	BOLT, HEX.HD	10	M8X20	YES
21a	MWL0802003GA0	M30408	WASHER, SPRING	10	M8	YES
21b	MWA0801602GA0	M30008	WASHER, PLAIN	10	M8	YES
22	BFA28C00430A0	270404012X0	FOOT STEP LH & RH PAINTED	1		YES
24	MBA0802004BA0	M10008020	BOLT, HEX.HD	6	M8X20	YES
24a	MWL0802003GA0	M30408	WASHER, SPRING	6	M8	YES
24b	MWA0801602GA0	M30008	WASHER, PLAIN	6	M8	YES
25	MBA1002502BA0	M10010025	BOLT, HEX.HD	8	M10X25	YES
25a	MWL1002503GA0	M30410	WASHER, SPRING	8	M10	YES
25b	MWA1101600BA0	M30010	WASHER, PLAIN	8	M10	YES

**FIG. 404 STEP**



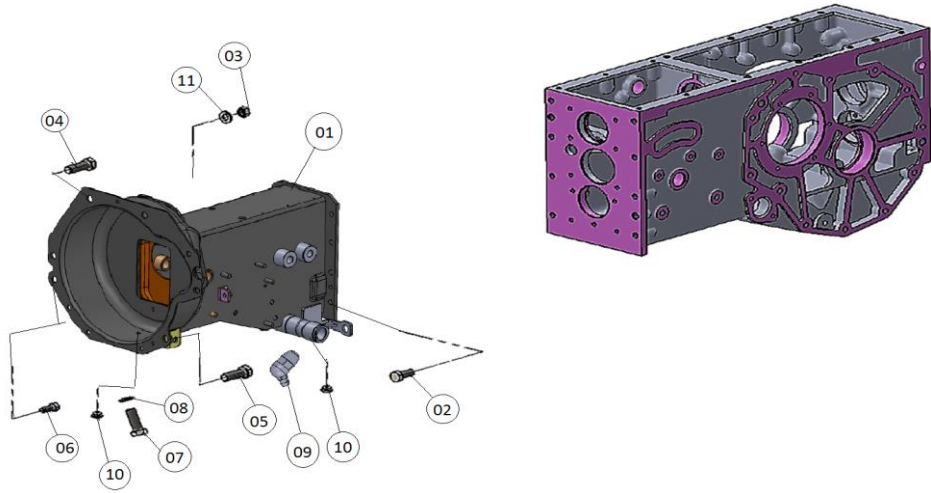
Key no	New ERP Number	Old Parts Number	Parts Name	Quantity	DESCRIPTION	SERVICABLE REMARKS
				270D		
27	MBA0802504BA0	M10008025	BOLT, HEX.HD	4	M8X25	YES
27a	MWL0802003GA0	M30408	WASHER, SPRING	4	M8	YES
27b	MWA0801602GA0	M30008	WASHER, PLAIN	4	M8	YES
31	MBA1202002BA0	M10012020Z	BOLT, HEX.HD	2	M12X20	YES
31a	MWL1203002GA0	M30412	WASHER, SPRING	2	M12	YES
31b	MWA1302300BA0	M30012	WASHER, PLAIN	2	M12	YES
33	BFA28C00440A0	270404026X0	TOP COVER RH (27SMT)(PAINTED)	1		YES
34	BFA28C00460A0	270404022X0	PLATE LH, STEP B (27SMT)(PAINTED)	1		YES
35	BFA28C00470A0	27040404030	PLATE RH, STEP B (27SMT) PAINTED	1		YES

FIG. 405 SEAT



Key no	New ERP Number	Old Parts Number	Parts Name	Quantity	DESCRIPTION	SERVICABLE REMARKS
				270D		
1	JEB27C00000A0	EC0405005X0	SEAT (EURO MODEL)	1		YES
2	JEB27C00020A0	EC0405001X1	Seat Bracket Painted Euroactor	1		YES
3	MBA1003502BA0	M10010035	BOLT, hex. Hd	4		YES
4	MWL1002503GA0	M30410	WASHER, SPRING	4		YES
5	MBA1003502BA0	M10010035	BOLT, hex. Hd	4		YES
6	MWL1002503GA0	M30410	WASHER, SPRING	4		YES
7	JDA34A00030A0	JDA34A00030B	BRAKE SWITCH	1		YES
8	JDA27C00000A0	JDA27C00000A	SEAT SENSOR BRACKET	1		YES
9	MWA1302300BA0	M30012	PLAIN WASHER	1		YES
10	MSG0502000GA0	M13005020	SCREW ROUND HEAD	2		YES
11	MWA0500802GA0	M30005	PLAIN WASHER	4		YES
12	MWL0501302GA0	M30405	SPRING WASHER	2		YES
13	MNA0504500BA0	M17005	NUT HEXAGONAL	2		YES

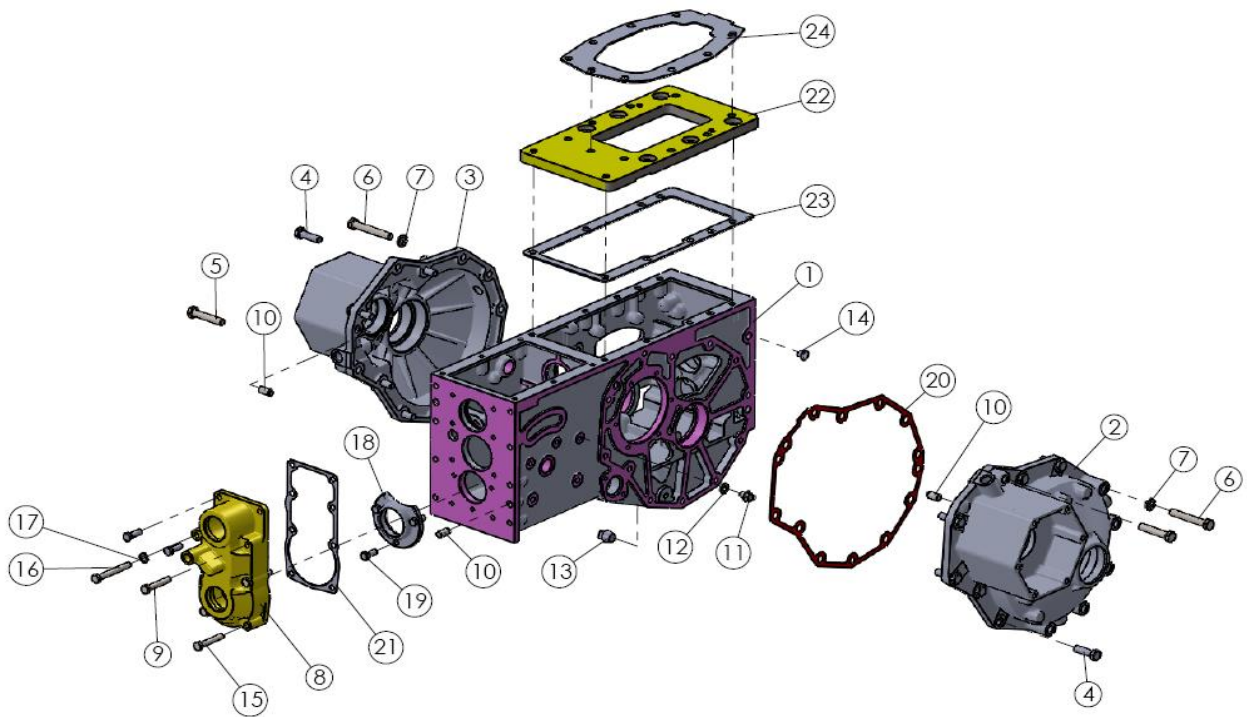
FIG. 501 CLUTCH HOUSING



Key no	New ERP Number	Old Parts Number	Parts Name	Quantity	DESCRIPTION	SERVICABLE REMARKS
				270D		
1	JTA10C00000A0	JTA10C00000A	CLUTCH HOUSING ASSEMBLY (24HP) (PAI	1	JTA10C00001A	YES
2	MBA1002502BA0	M10010025	BOLT, hex. hd	8	M10X25	YES
2a	MWL1002503GA0	M30410	WASHER, spring	8	M10	YES
3	MNA1008001BA0	M17010	NUT	1	M10	YES
4	MBA1203503BA0	M10012035	BOLT, hex. hd	2	M12X35	YES
4a	MWL1203002GA0	M30412	WASHER, spring	1	M12	YES
5	MBA1202001BA0	M10012020TR	BOLT, hex. hd	3	M12X20	YES
5a	MWL1203002GA0	M30412	WASHER, spring	3	M12	YES
6	MBA0802004BA0	M10008020	BOLT, hex. hd	3	M8X20	YES
6a	MWL0802003GA0	M30408	WASHER, spring	3	M8X20	YES
7	MBA1202002BA0	M10012020Z	BOLT, hex. hd	1	M12X20	YES
8	MWG1302000GA0	10071016001	WASHER, seal	1		YES
9	MGN0500800BA0	A6513100301	NIPPLE, grease	1	PT 1/8"	YES
10	BCA10C00080A0	27613733000	CAP, Clutch Housing	2		YES
11	MWL1002503GA0	M30410	WASHER, spring	1		YES
12	MBA1003002BA0	M10010030	BOLT, hex. hd	1	M10X30	YES
12a	MWL1002503GA0	M30410	WASHER, spring	1	M10	YES
12b	MWA1101600BA0	M30010	WASHER, plain	1	M10	YES
13	MBA1203002BA0	M10012030	BOLT, hex. hd	2	M12X30	YES
13a	MWL1203002GA0	M30412	WASHER, spring	2	M12	YES
13b	MWA1302300BA0	M30012	WASHER, plain	2	M12	YES
13c	BCA10C00100A0	180501012X0	HEAT SHIELD	1		YES
14	BCA10C00030A0	18050100341	BUSH, Clutch Housing	2		YES
15	BCA12C00000A0	BCA12C00000A	PTO SENSOR BRACKET PAINTED	1		YES

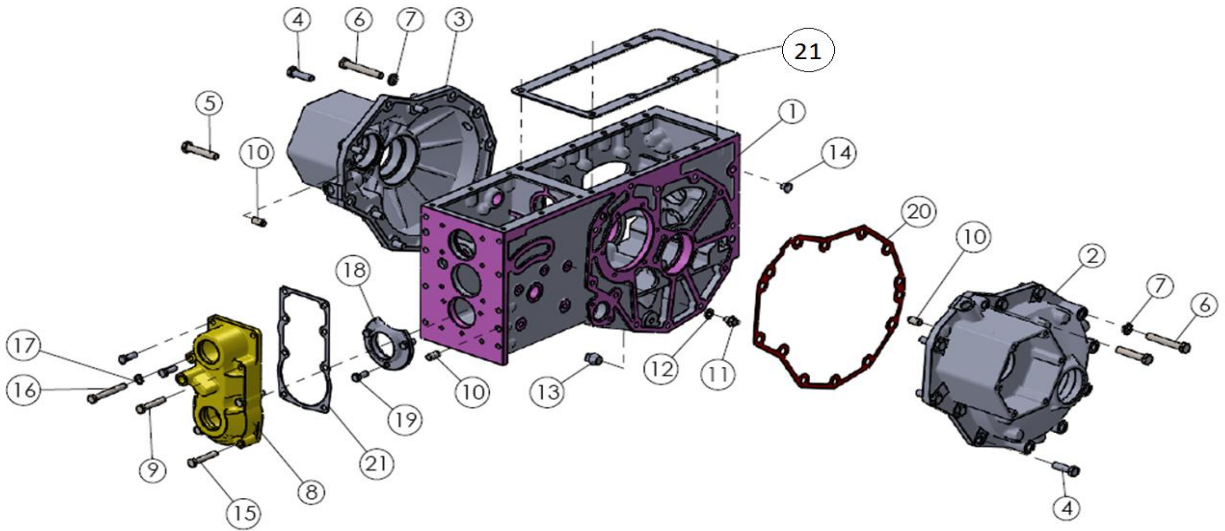


FIG. 502ANSMISSON CASE PAGE-51



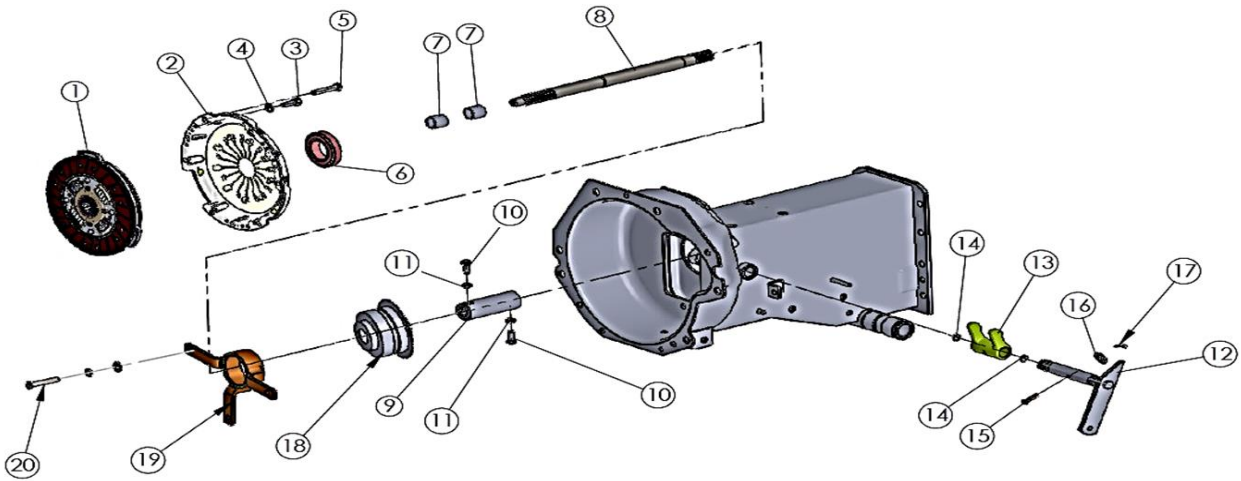
Key no	New ERP Number	Old Parts Number	Parts Name	Quantity	DESCRIPTION	SERVICABLE REMARKS
				270D		
1	BCA11C00070A0	27050200600	CASE,Transmission	1		YES
2	JDA44C00050A0		Case Final LH	1	19861215005	YES
3	BCA11C00140A0	19861216005	Case Final RH	1		YES
4	MBA1003502BA0	M10010035	BOLT, hex. hd	12	M10X35	YES
5	MBA1005500BA0	M10010055	BOLT, hex. hd	2	M10X55	YES
5a	MWL1002503GA0	M30410	WASHER, spring	2	M10	YES
6	MBA1007000BA0	M10010070	BOLT, hex. hd	2	M10X70	YES
7	MWL1002503GA0	M30410	WASHER, spring	2	M10	YES
8	BCA11C00080A0	10071061000	HOLDER, bearing	1		YES
9	MBA0802504BA0	M10008025	BOLT, hex. hd	2	M8X25	YES
9a	MWL0802003GA0	M30408	WASHER, spring	2	M8	YES
9b	MBA0803002BA0	M10008030	BOLT, hex. hd	8		YES
9c	MWL0802003GA0	M30408	WASHER, spring	8		YES
10	MPG0000019GA0	5401010020	PIN, Dowel	8	Ø10X20	YES
11	MUG0800000GA0	18060400840	DRAIN PLUG M8 ( MAGNETIC )	1		YES
13	MUG0170000GA0	A6000201000	PLUG, taper	2		YES
14	BCA11C00100A0	11501018100	CAP, rubber	6		YES
15	MBA0805002BA0	M10008050	BOLT, hex. hd	5	M8X50	YES
15a	MWL0802003GA0	M30408	WASHER, spring	5	M8	YES
16	MBA0807001BA0	M10008070	BOLT, hex. hd	1	M8X70	YES
17	MWL0802003GA0	M30408	WASHER, spring	1	M8	YES
18	BCA11C00090A0	10071062000	HOLDER, bearing	1		YES

FIG. 502TRANSMISSION CASE PAGE-52



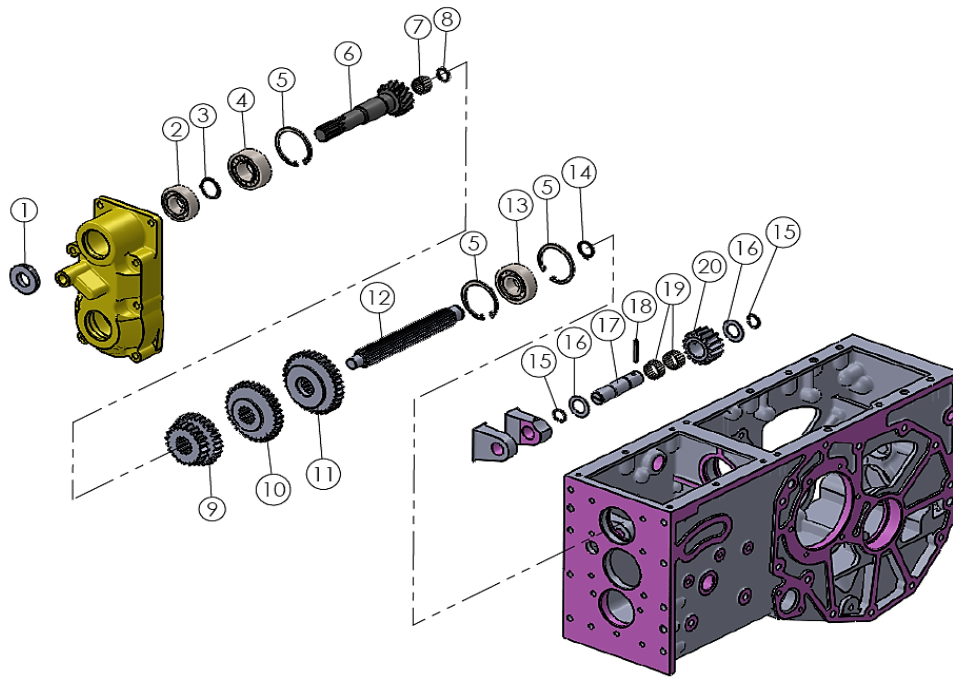
Key no	New ERP Number	Old Parts Number	Parts Name	Quantity	DESCRIPTION	SERVICABLE REMARKS
				270D		
19	MBA0802004BA0	M10008020	BOLT, hex. hd	3	M8X20	YES
19a	MWL0802003GA0	M30408	WASHER, spring	3	M8	YES
20	BCA11C00110A0	18050200120	PACKING, Final Drive case	2		YES
21	MGG0000016GA0	18050200230	GASKET, Brg. Holder	1		YES

FIG. 503 CLUTCH



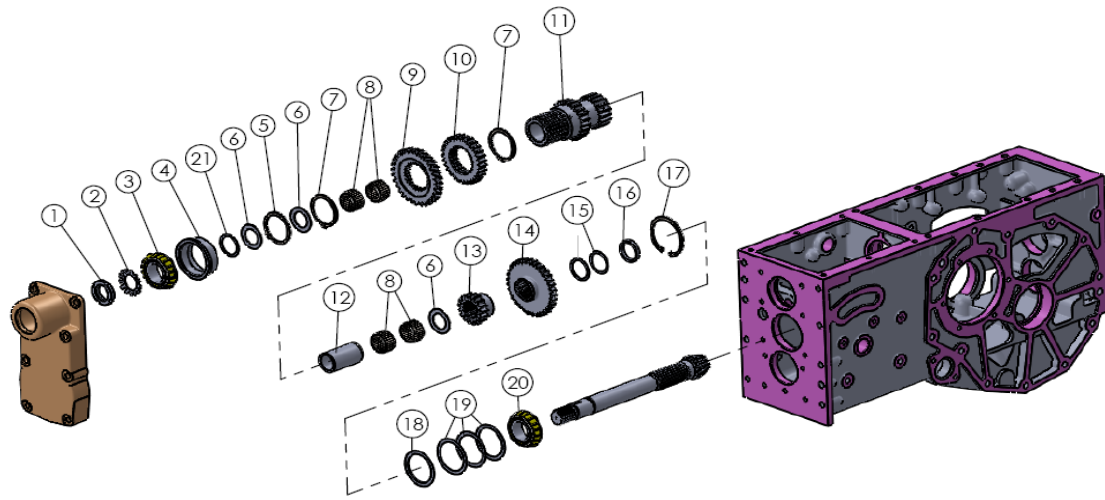
Key no	New ERP Number	Old Parts Number	Parts Name	Quantity	DESCRIPTION	SERVICABLE REMARKS
				270D		
1~2	BFA10A00020A0	270503004X0	CLUTCH DISK ASSY. -200 DIA	1		YES
3	MBA0802202DA0	11421106010	Bolt Ck Clutch	3		YES
4	MWL0802003GA0	M30408	WASHER, spring	3	M8	YES
5	MBA0801602BA0	M10008016	BOLT, hex. hd	6	M8X16	YES
5a	MWL0802003GA0	M30408	WASHER, spring	6	M8	YES
6	BCA10C00150A0	11761015000	BEARING, release	1		YES
7	BCA10C00210A0	560502015	BUSHING	2		OBSLOUTE
8	BCA10C00220A0	180503006X0	SHAFT, main painted	1		YES
9	BCA10C00140A0	11351102003	COUPLING	1		YES
10	MBA0802205GA0	19781122000	BOLT	2		YES
11	MNA0806000BA0	M17008	NUT	2		YES
12	BCA10C00190A0	180503008X0	SHAFT, release painted	1	19821125001	YES
13	BCA10C00180A0	19821123001	FORK, release	1		YES
14	MRA0171900GA0	8300110170	O-RING	2	Ø17	YES
15	MPC0000000GA0	M3936035	Clevis Pin	1	Ø6X35	YES
16	MWA0701000BA0	M30006	WASHER, plain	1	M6	YES
17	MTG1601201BA0	5200116012	PIN, split	1	Ø1.6X12	YES
18	BCA10C00021A2	27050300131	Hub,release painted	1		YES
19	BCA10C00110A0	270503002X0	Guide Hub Release Painted	1		YES
20	MBA0802504BA0	M10008025	BOLT, hex. hd	3	M8X25	YES
20a	MWA0801602GA0	M30008	WASHER, plain	3	M8	YES
20b	MWL0802003GA0	M30408	WASHER, spring	3	M8	YES
18a	BCA10C00021A1		Hub,release	1	For Plastic bush	YES
19a	BCA10C00011A1		GUIDE HUB RELEASE PAINTED	1	fitment use as kit.	YES
19b	BCA10P0000A0		PLASTIC BUSH	1	18a,19a,19b	YES

FIG. 504 SELECT & REVERSE SHAFT



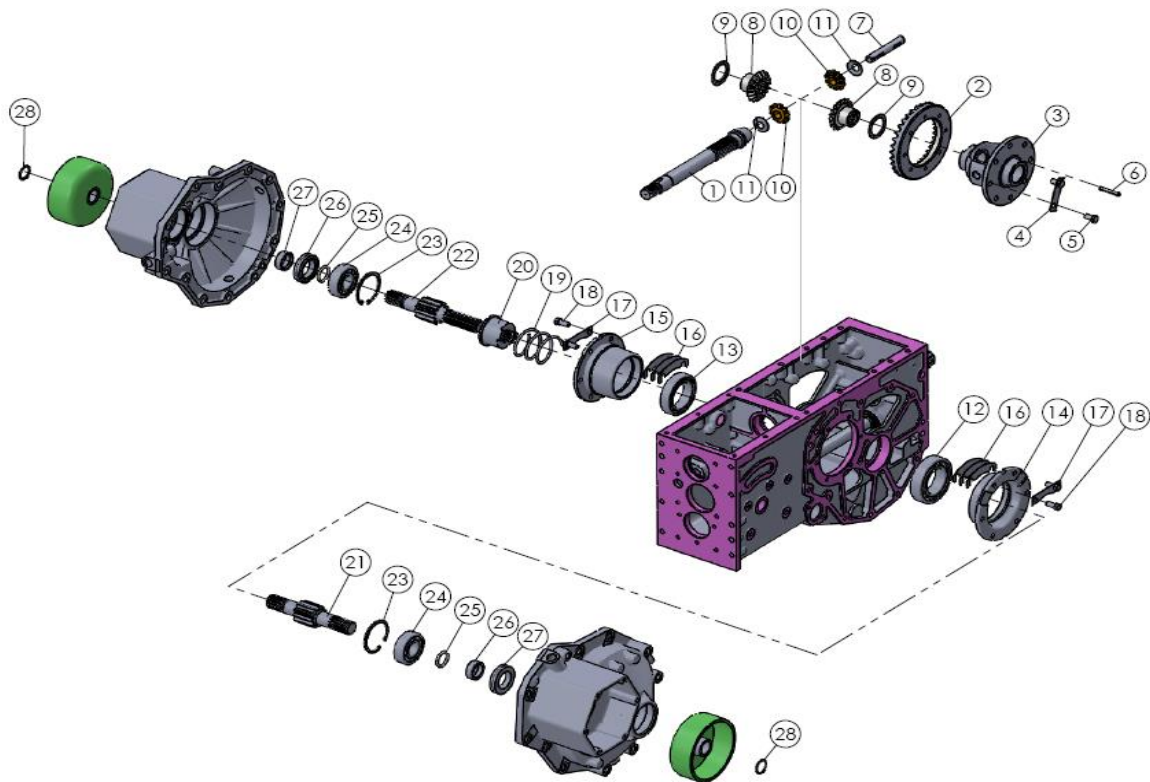
Key no	New ERP Number	Old Parts Number	Parts Name	Quantity	DESCRIPTION	SERVICABLE REMARKS
				270D		
			<b>SELECT SHAFT</b>			
1	MGG2007000GA0	8401020407	SEAL, oil	2	TC20407	YES
2	MEG2014001GA0	A932503H	Ball Bearing 6204ZZ	1		YES
3	MLS0231200GA0	18000600190	RING, snap	1	Ø25	YES
4	MEG2517000GA0	11351203100	BEARING, roller	1		YES
5	MLS5202000GA0	7410005200	RING, snap	3	Ø52	YES
6	BCA11C00180A0	10191201004	SHAFT, drive	1		YES
7	MEN1514800GA0	10071205000	BEARING, needle	1		YES
9	BCA11C00190A0		GEAR 20-27T	1		
10	BCA11C00200A0	11351207024	GEAR 32T	1		YES
11	BCA11C00210A0	11351208008	GEAR 15-33T	1		YES
12	BCA11C00160A0	10071204000	SHAFT, select	1		YES
13	MEB2015000GA0	A932505C	Bearing	1	6304	YES
14	MLS2000001GA0	M18920TR	RING, snap	1	Ø20	YES
			<b>REVERSE SHAFT</b>			
15	MLS1501500BA0	7420101500	E - RING	2	Ø18	YES
16	MGG0001003BA0	14561157000	LINER B, thrust	2	t=1.0	YES
17	BCA11C00220A0	11351351001	SHAFT	1		YES
18	MPB5003200GA0	5500005032	PIN, spring	1	Ø5X32	YES
19	MEN1812000GA0	7802182412	BEARING, needle	2		YES
20	BCA11C00230A0	11351352023	GEAR 16T	1		YES

FIG. 505 COUNTER GEAR



Key no	New ERP Number	Old Parts Number	Parts Name	Quantity	DESCRIPTION	SERVICABLE REMARKS
				270D		
1	MEU2507001BA0	A3270102500	NUT, lock	1	M25	YES
2	MEW2501201BA0	3280102501	WASHER, lock	1	M25	YES
3	MER0000000GA0	11351313000	Taper Roller Bearing 30205	1	NTN 4T-30205	YES
4	BCA11C00260A0	11351302011	HOLDER	1		YES
5	MLS0000003GA0	18000600141	RING, snap	1	∅25	YES
6	MGG0001001BA0	11351304011	LINER, thrust	2	t=1.0	YES
7	MLS0000004GA0	18000600240	RING, snap	2	∅45	YES
8	MEN0000002GA0	11351325000	Needle bearing	4		YES
9	BCA11C00250A0	10191306002	GEAR 31T	1		YES
10	BCA11C00270A0	11351307023	GEAR 29T	1		YES
11	BCA12C00830A0		GEAR 18-23T	1		YES
11a	BFA97C00110A0	10071305005XOKO	Gear 18-23T Kit	1		YES
12	BCA11C00280A0	11351308023	COLLAR	1		YES
13	BCA11C00290A0	11351309012	GEAR 17T	1		YES
14	BCA11C00300A0	11351312013	GEAR 34T	1		YES
15	MGS0000200GA0	11351314011	SHIM	AR	t=0.2	YES
15a	MGS0000401GA0	11351318000	SHIM	AR	t=0.4	YES
16	BCA11C00310A0	11351321000	COLLAR	1		YES
17	MRG0612000GA0	11351322000	RING, snap	1		YES
18	MGS0000500GA0	11351317011	SHIM	AR	t=0.5	YES
19	MGS0000101GA0	11351315011	SHIM	AR	t=0.1	YES
19a	MGS0000201GA0	11351316011	SHIM	AR	t=0.2	YES
20	MER2917000GA0	11351323000	BEARING, taper roller	1		YES
21	MGG2602000GA0	18050501240	SPACER	1		YES

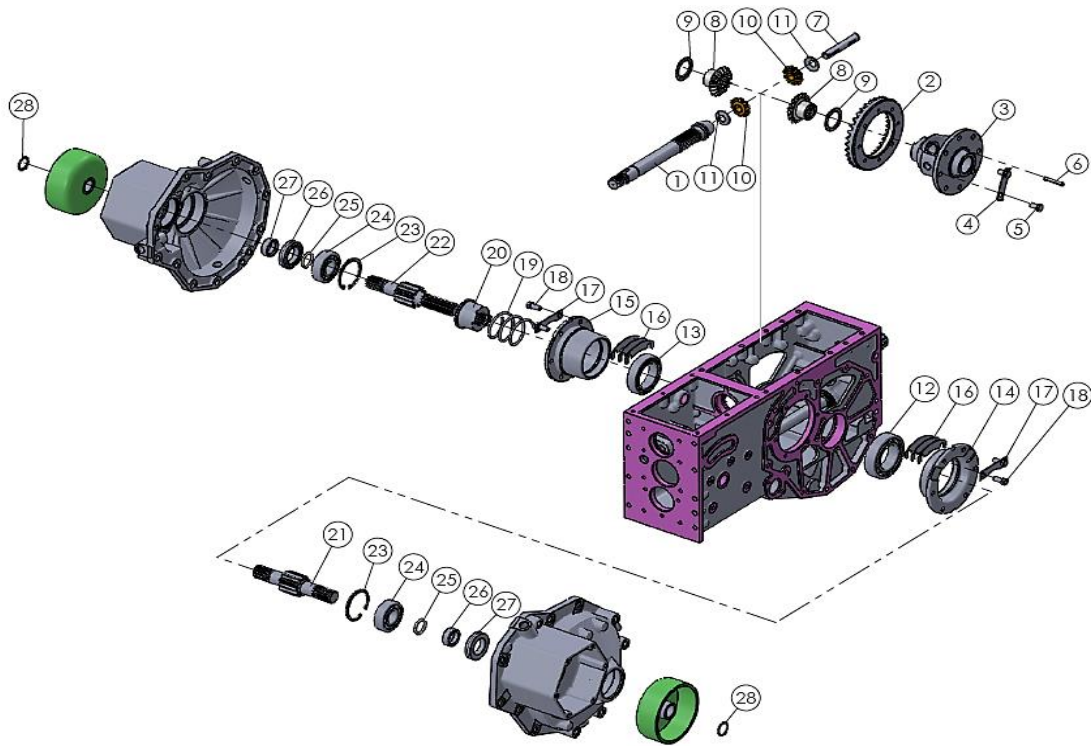
FIG. 506 DIFFERENTIAL SHAFT



Key no	New ERP Number	Old Parts Number	Parts Name	Quantity	DESCRIPTION	SERVICABLE REMARKS
				270D		
1~11	BCA12A00090A0	10191401000	GEAR CASE ASSY.	1		NO
1-2	BCA12C00100A0	10191423001	Crown wheel pinion set	1		YES
1	BCA12C00080A0	10191419003	SHAFT,COUNTER	1		NO
3	BCA12C00030A0	10191411000	Case Diff Rear	1		YES
4	BCA12C00140A0	11351406000	WASHER, lock	4		YES
5	MBA0801602BA0	M10008016	BOLT, hex. hd	8	M8X16	YES
6	MPB6004000GA0	550006040	PIN, spring	1	Ø6X40	YES
7	BCA12C00060A0	10191414000	Shaft Pinion	1		YES
8	BCA12C00050A0	10191413000	GEAR, side 16T	2		YES
9	MWG0001200GA0	10191416000	WASHER, thrust	2		YES
10	BCA12C00040A0	10191412000	PINION, mate 10T	2		YES
11	MWG1400005GA0	10191415000	WASHER, thrust	2		YES
12	MEB5016000GA0	7500060100	BEARING	1	6010	YES
13	MEG5020000GA0	7500062100	Ball Bearing 6210	1	6210	YES
14	BCA12C00020A0	10071418000	HOLDER LH, bearing	1		YES
15	BCA12C00010A0	10071417000	HOLDER RH, bearing	1		YES
16	MGG0000202BA0	11351419000	LINER A	AR	t=0.2	YES
16a	MGG0000300BA0	11351421000	LINER B	AR	t=0.3	YES
16b	MGG0000501BA0	11351422000	LINER C	AR	t=0.5	YES
17	BCA12C00170A0	11351423000	PLATE	6		YES
18	MBA0802004BA0	M10008020	BOLT, hex. hd	12	M8X20	YES

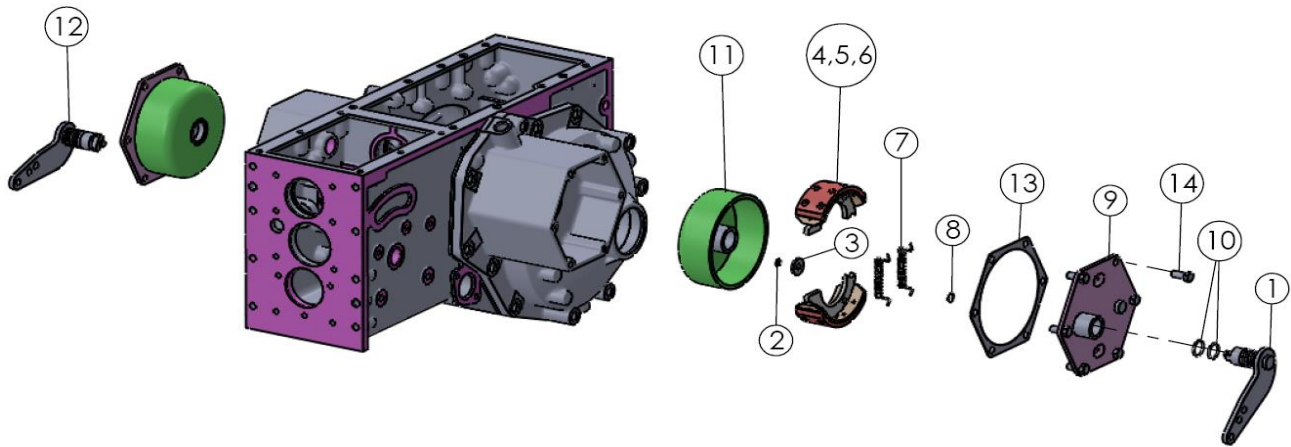


FIG. 506 DIFFERENTIAL SHAFT



Key no	New ERP Number	Old Parts Number	Parts Name	Quantity	DESCRIPTION	SERVICABLE REMARKS
				270D		
19	BCA12C00160A0	11351416000	SPRING	1		YES
20	BCA12C00150A0	11351415001	SLEEVE	1		YES
21	BCA12C00120A0	11351402003	SHAFT LH diff	1		YES
22	BCA12C00110A0	11351401003	SHAFT RH diff	1		YES
23	MLS6202000GA0	7410106200	RING, sanp	2	∅62	YES
24	MEB2517000GA0	7500063055	BEARING	2	6305	YES
25	MRA0253500GA0	8300100250	O-RING	2	∅25	YES
26	BCA12C00130A0	11351402100	BUSHING	2		YES
27	MGG3511000GA0	8411355511	Oil Seal	2	TCx6-35511	YES
28	MLS0231200GA0	7400102500	Ring, SNAP	2	∅25	YES

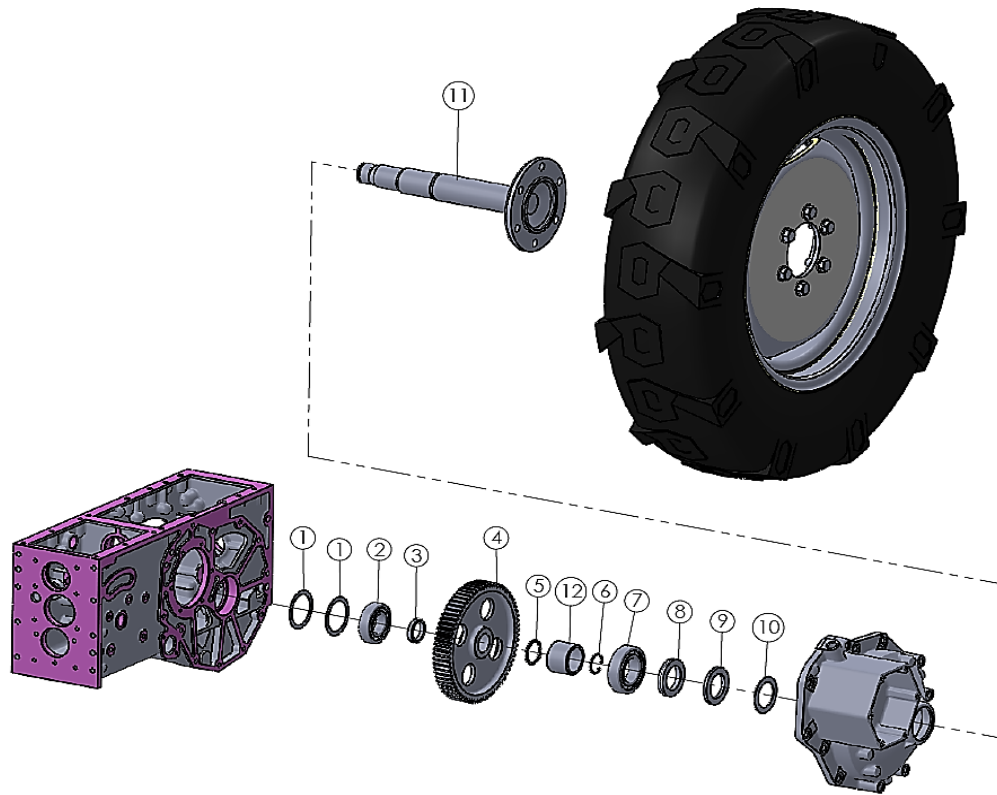
FIG. 507 BRAKE



Key no	New ERP Number	Old Parts Number	Parts Name	Quantity	DESCRIPTION	SERVICABLE REMARKS
				270D		
1	BCA20C00010A0	18050700131	CAM SHAFT, LH	1		YES
2	MLS0231200GA0	H42609	RING SNAP	2		YES
3	BFA20C00090A0	18050700640	Stop Plate	2		YES
4	BCA20A00030A0	18050701143	Brake Shoe Assy (Right)	4		YES
7	BCA20C00040A0	18050700442	Return Spring Brake	4		YES
8	MLS2200000GA0	7400102200	RING, snap	2	∅22	YES
9	BCA20C00070A0	180507003X0	PLATE, torque	2		YES
10	MRA0182400GA0	8300100180	O-RING	4	∅18	YES
11	BCA20C00050A0	18050700743	BRAKE DRUM	2		YES
12	BCA20C00020A0	18050700231	CAM SHAFT, RH	1		YES
13	MGG1270600GA0	10071435000	GASKET	2		YES
14	MBA0802004BA0	M10008020	BOLT, hex. hd.	12	M8X20	YES
14a	MWL0802003GA0	M30408	WASHER, spring	12	M8	YES

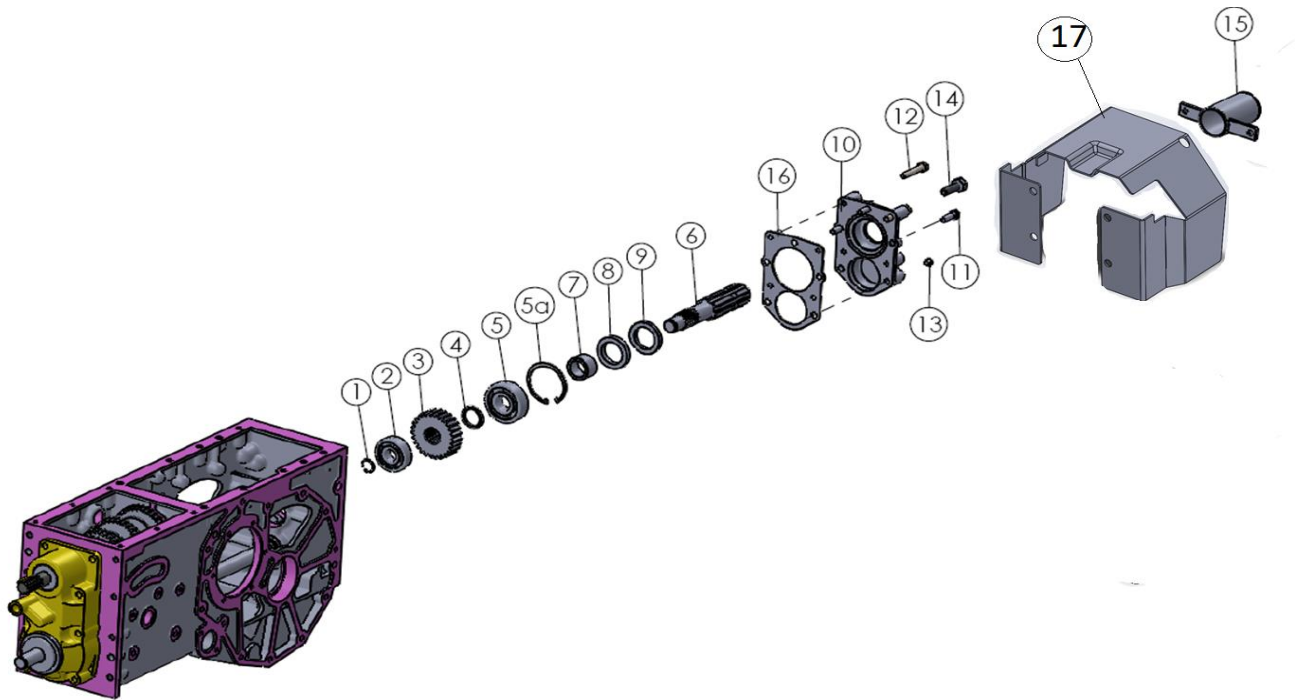


FIG. 508 FINAL SHAFT



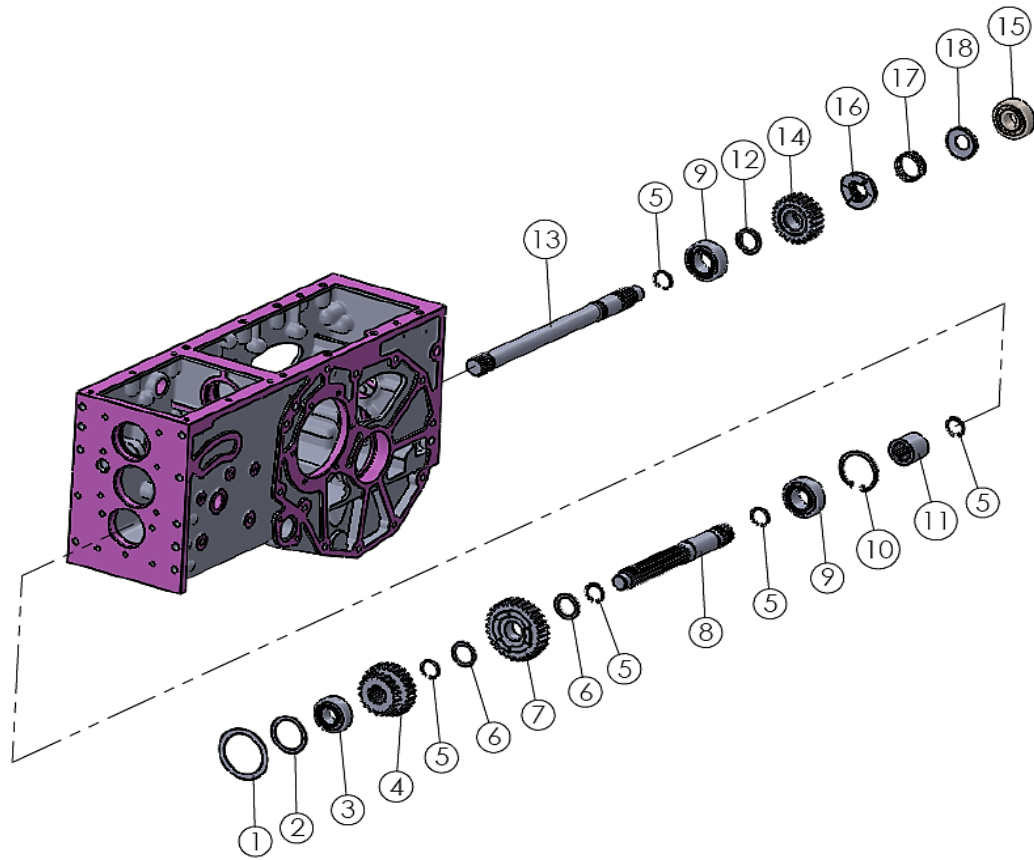
Key no	New ERP Number	Old Parts Number	Parts Name	Quantity	DESCRIPTION	SERVICABLE REMARKS
				270D		
1	MGG5600400BA0	7300007204	LINER	AR	t=0.4	YES
1a	MGG5600800BA0	7300007208	LINER	AR	t=0.8	YES
2	MEB0000000GA0	M5706207	BEARING	2	6207	YES
3	BCA12C00200A0	19861218000	COLLAR' A'	2		YES
4	BCA12C00190A0	10071502002	GEAR 72T	2		YES
5	MLS0331500BA0	7400003500	RING, snap	4	∅40&∅35	YES
6	MLS0331500BA0	7400003500	RING, snap	2	∅35	YES
7	MEB0000001GA0	M5706209	BEARING	2	6209	YES
8	MGG4509000GA0	8401045689	Oil Seal	2	TC45689	YES
9	MGG4506000GA0	8400045686	Oil Seal	2	VC45689	YES
10	MWG4701600GA0	11351506000	WASHER	2		YES
11	BCA12C00220A0	19981501001	SHAFT, final	2		YES
12	BCA12C00210A0	19861219000	COLLAR' B'	2		YES

FIG. 509 P.T.O. SHAFT



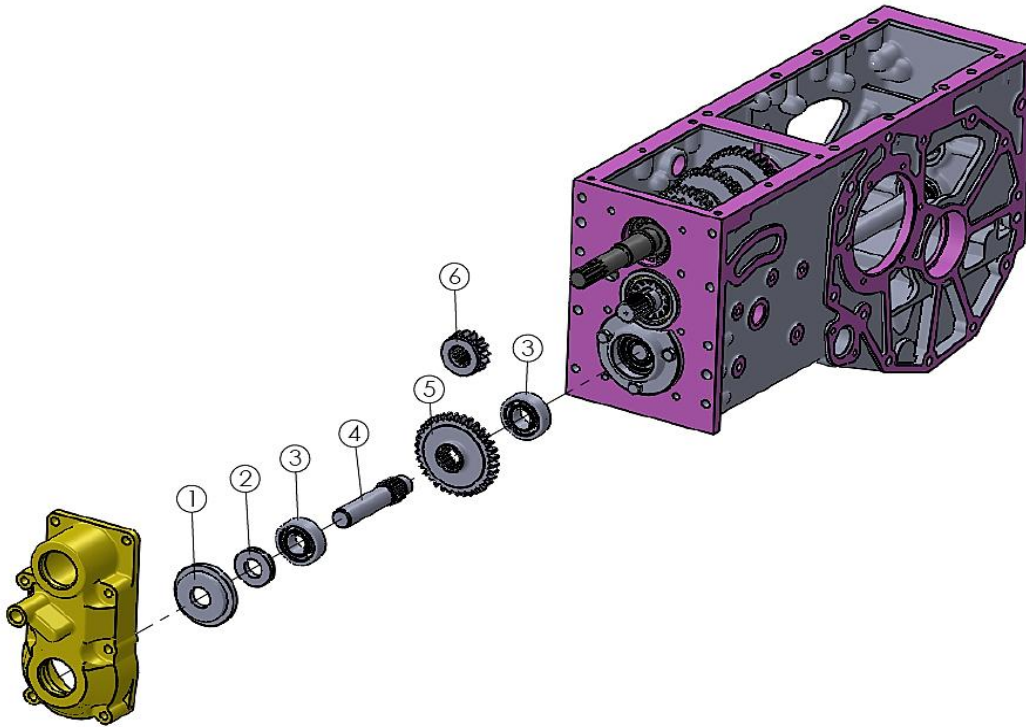
Key no	New ERP Number	Old Parts Number	Parts Name	Quantity	DESCRIPTION	SERVICABLE REMARKS
				270D		
1	MLS2000001GA0	M18920TR	RING, snap	1	Ø20	YES
2	MEB2015000GA0	A932505C	BEARING	1	6304	YES
3	BCA12C00230A0	27050901230	GEAR 27T	1		YES
4	BCA12C00320A0	44463213000	COLLAR	1		YES
5	MEB2517000GA0	7500063055	Ball Bearing 6305N	1	6305NR	YES
5a	MRG0591600GA0	18050900240	SNAP RING	1		YES
6	BCA11C00580A0	19741651001	SHAFT, pto	1		YES
7	BCA12C00270A0	19741654000	Bush	1		YES
8	MGG3508000GA0	8401035508	Oil Seal	1	TC35508	YES
9	MGG3506000GA0	8400035506	Oil Seal	1	VC35506	YES
10	BCA12C00280A0	19741656001	COVER	1		YES
11	MBA0802504BA0	M10008025	BOLT, hex. hd.	3	M8X25	YES
11a	MWL0802003GA0	M30408	WASHER, spring	3	M8	YES
12	MBA0804504BA0	M10008045	BOLT, hex. hd.	2	M8X45	YES
12a	MWL0802003GA0	M30408	WASHER, spring	2	M8	YES
13	MUG0700000GA0	553408000	PLUG	4		YES
14	MBA1203503BA0	M10012035	BOLT, hex. hd.	4	M12X35	YES
14a	MWL1203002GA0	M30412	WASER, spring	4	M8	YES
15	BCA12C00300A0	22050900130	P.T.O. Shaft Cover(Plastic)	1		YES
15a	MSG0000019GA0	18050900540	Screw (PTO Cover)	2		YES
16	MGG0000401GA0	18050900640	GASKET, Cover PTO	1		YES
17	JDA12C00000A0	JDA12C00000A	Cover PTO Painted Euroactor	1		YES
18	MWA0801602GA0	M30008	WASHER, plain	2	M8	YES

FIG. 510 P.T.O. SUB SHAFT



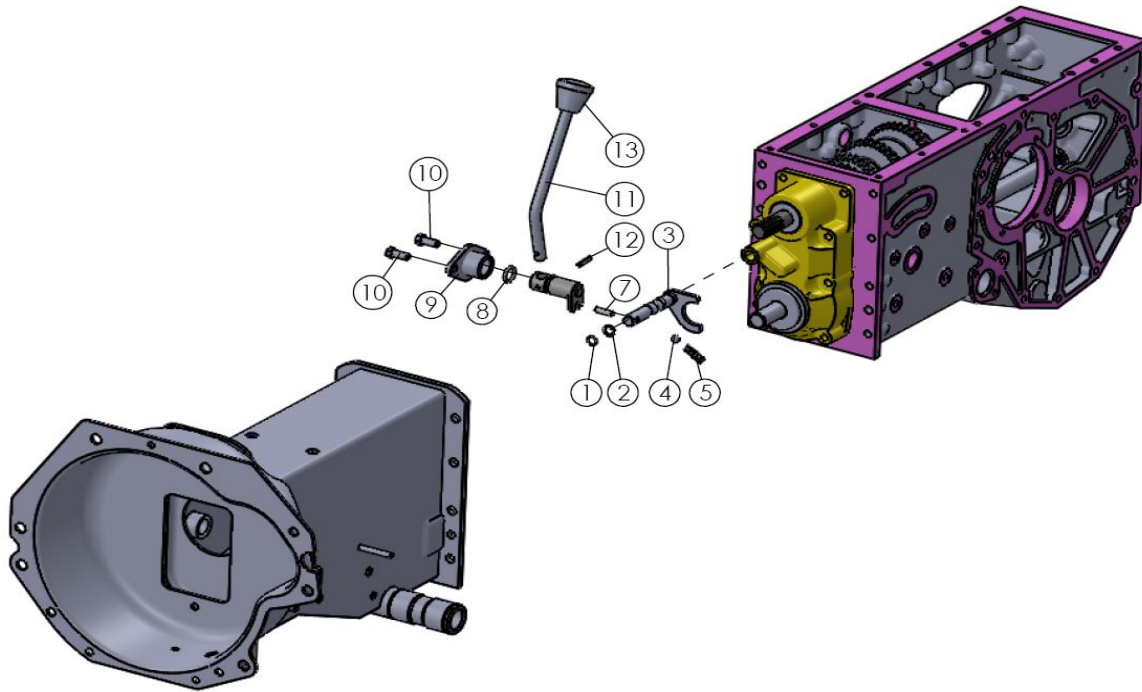
Key no	New ERP Number	Old Parts Number	Parts Name	Quantity	DESCRIPTION	SERVICABLE REMARKS
				270D		
1	MGG4101000BA0	7300005210	LINER	1	t=1.0	YES
2	MGG4100400BA0	7300005204	LINER	AR	t=0.4	YES
3	MEB2015000GA0	A932505C	BEARING	1	6205	YES
4	BCA12C00390A0	18051000230	GEAR 26T	1		YES
5	MLS0231200GA0	H42609	RING, snap	5	∅25	YES
6	MGG0002000GA0	13521608000	LINER 'E', THRUST	2		YES
7	BCA12C00360A0	10071603001	GEAR 30T	1		YES
8	BCA12C00340A0	10071601002	SHAFT	1		YES
9	MEG2515000GA0	10070626000	BEARING	2	6205	YES
10	MLS0231200GA0	7410105200	RING, snap	3	∅52	YES
11	BCA12C00370A0	11351604002	COLLAR	1		YES
12	BCA12C00410A0	19741612000	COLLAR	1		YES
13	BCA12C00400A0	19741611002	SHAFT	1		YES
14	BCA12C00450A0	27051000130	GEAR 23T	1		YES
15	MEB2015000GA0	7500063040	BEARING	1	6304	YES
17	BCA12C00420A0	19821613003	SLEEVE	1		YES
18	BCA12C00430A0	19821614001	SPRING	1		YES
19	BCA12C00440A0	19821615000	HOLDER, spring	1		YES

FIG~ 511 MID P.T.O (1/2)



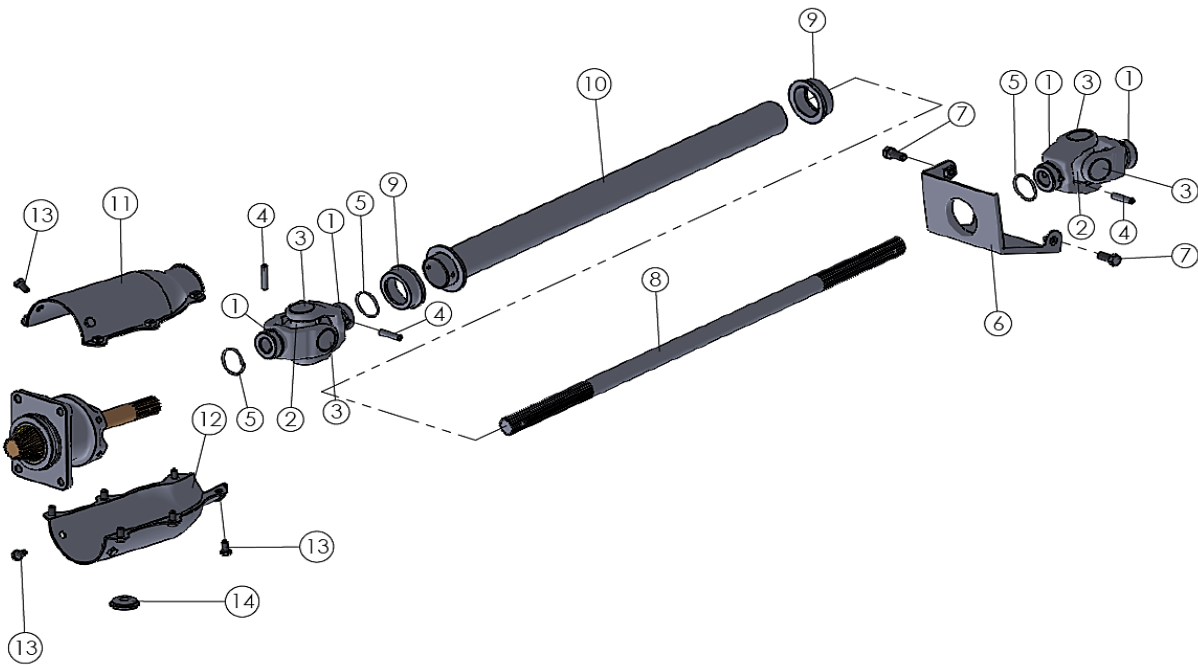
Key no	New ERP Number	Old Parts Number	Parts Name	Quantity	DESCRIPTION	SERVICABLE REMARKS
				270D		
1	BCA12C00490A0	10070511000	PACKING	1		YES
2	MGG2007000GA0	8401020407	SEAL, oil	1	TC20407	YES
3	MEG2014000GA0	A932502C	Ball Bearing 6204	2	6204	YES
4	BCA12C00470A0	10070502000	SHAFT, mid PTO	1		YES
5	BED12P00010A0	10070503005	GEAR 32T	1		YES
6	BED12P00000A0	10070501001	GEAR 12T	1		YES

FIG.512 MID P.T.O (2/2)



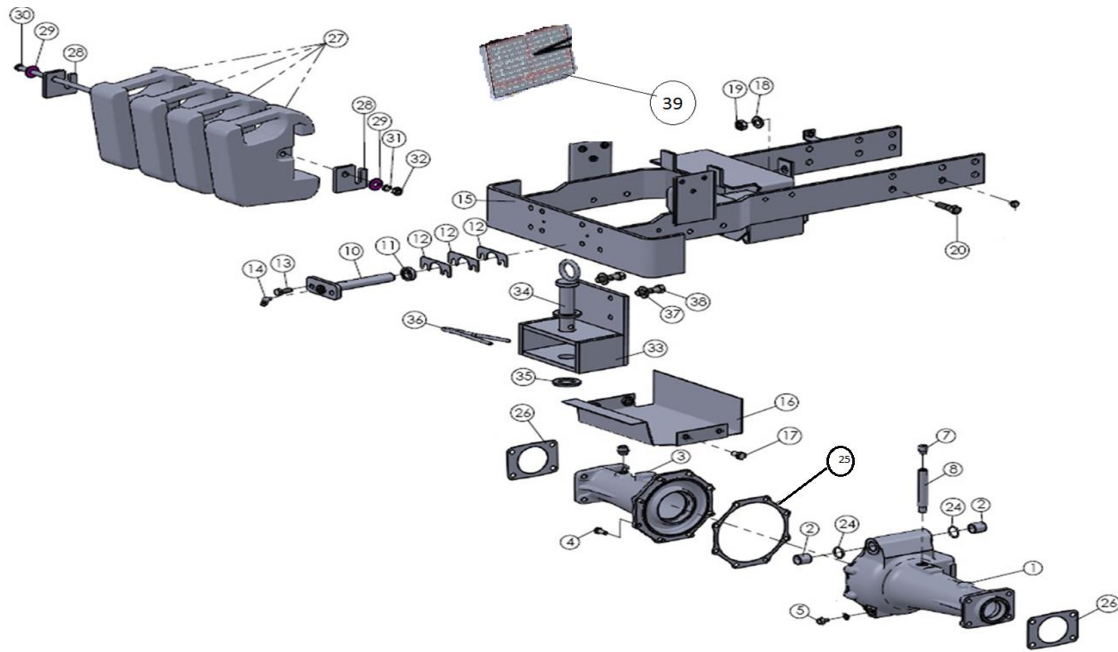
Key no	New ERP Number	Old Parts Number	Parts Name	Quantity	DESCRIPTION	SERVICABLE REMARKS
				270D		
1	MRA0101901GA0	8300100101	O-RING	1	Ø10A	YES
2	MLS1400000GA0	7400101400	RING, snap	1	Ø14A	YES
3	BCA12A00170A0	10070506001	SHAFT, shift ASSY	1		YES
4	BCA12C00530A0	M420275	BALL, steel	1	11/32"	YES
5	BCA12C00540A0	MA922079000	SPRING	1		YES
6	BCA12C00510A0	27051200231	SHIFTER	1		YES
7	MPB6002200GA0	5500006022	PIN, spring	1	Ø6X22	YES
8	MRA0182400GA0	8300100180	O-RING	1	Ø18	YES
9	BCA12C00501A0	10070513001	BRACKET	1		YES
10	MBA0802004BA0	M10008020	BOLT, hex. hd.	2	M8X20	YES
10a	MWL0802003GA0	M30408	WASHER, spring	2	M8	YES
11	BFA12C00110A0	27051200131	LEVER (2W-4W)	1		YES
12	MPB5002200GA0	5500005022	PIN, spring	1	Ø5X22	YES
13	BFA12C00120A0	27051200330	KNOB (2WD-4WD)	1		YES
13A	MNA1210000GA0	27070201240	HEXAGON NUT (M12X1.5P)	1	M12X1.5P	YES

FIG. 513 PROPELLER SHAFT



Key no	New ERP Number	Old Parts Number	Parts Name	Quantity	DESCRIPTION	SERVICABLE REMARKS
				270D		
1~3	BFA12A00020A0	10070552000	JOINT ASSY.	2		YES
4	MPA0602800GA0	5401006028	PIN,dowel	2	Ø6X28	YES
5	MRG0292000GA0	10070553001	RING snap	3		YES
6	BCA12C00660A0	180513007X0	COVER PAINTED	1		YES
7	MBA0802004BA0	M10008020	BOLT,hex.hd	3	M8X20	YES
7a	MWL0802003GA0	M30408	WASHER,spring	3	M8	YES
8	BCA12C00670A0	180513008X0	Propeller Shaft	1		YES
9	BCA12C00820A0	10070560000	CUSHION, rubber	2		YES
10	BCA12C00630A0	180513004X0	COVER Propeller Shaft painted	1		YES
11	BCA12C00640A0	180513005X0	COVER, upper painted	1		YES
12	BCA12C00650A0	180513006X0	COVER, lower painted	1		YES
13	MBA0601201BA0	M10006012	BOLT, hex. hd.	10	M6X12	YES
13a	MWL0601502BA0	M30406	WASHER, spring	10	M6	YES
13b	MWA0701000BA0	M30006	WASHER, plain	4	M6	YES
14	BCA12C00590A0	18051300141	RUBBER, grommet	1		YES

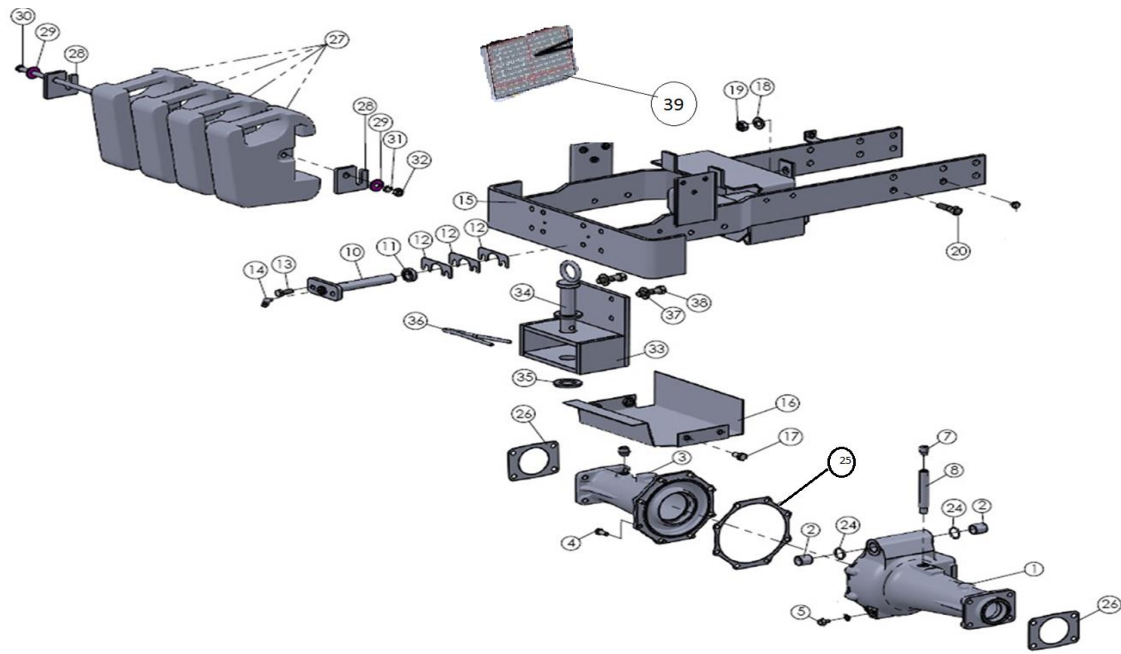
FIG. 601 AXLE HOUSING & CHASSIS



Key no	New ERP Number	Old Parts Number	Parts Name	Quantity	DESCRIPTION	SERVICABLE REMARKS
				270D		
1~2	BCA18A0000A0	10190610001	HOUSING A ASSY.	1		YES
1	BCA18C0000A0	10070611003	HOUSING A, axle	1		YES
2	BCA13C00150A0	5605002025	BUSHING	2		YES
3	BCA18C00010A0	10070612001	HOUSING B, axle	1		YES
4	MBA0802504BA0	M10008025	BOLT, hex. hd.	8	M8X25	YES
4a	MWL0802003GA0	M30408	WASHER, spring	8	M8	YES
5	MUG0800001GA0	27403214200	PLUG	1		YES
6	MGG0000008GA0	F420208000	GASKET	1		YES
7	MUG1200000GA0	11190621000	PLUG, vent	1		YES
8	BCA18C00020A0	10070656001	PIPE	1	PT 3/8"	YES
9	MUG0170000GA0	A6000201000	PLUG	1		YES
10	BCA18C00160A0	180601006X0	SHAFT, center	1		YES
11	BCA18C00050A0	11190604001	COLLAR	1		YES
12	MGS0000018GA0	11190605000	SHIM	AR	t=0.2	YES
12a	MGS0000019GA0	11190605100	SHIM	AR	t=0.6	YES
12b	MGS0000020GA0	11190605200	SHIM	AR	t=1.0	YES
13	MBA1002502BA0	M10010025	BOLT, hex. hd.	2	M10X25	YES
13a	MWL1002503GA0	M30410	WASHER, spring	2	M10	YES
14	MGN0500800BA0	A6513100301	NIPPLE, grease	1	PT 1/8"	YES
15	JTA02C00020A0	270601001X0	CHASSIS painted	1		YES
16	BFA18C00010A0	270601004x0	BRACKET battery	1		YES
17	MBA1002003BA0	M10010020	BOLT, hex. hd.	4	M10X16	YES
17a	MWL1002503GA0	M30410	WASHER, spring	4	M10	YES
18	MWL1403502GA0	M30414	WASHER, spring	2	M14	YES



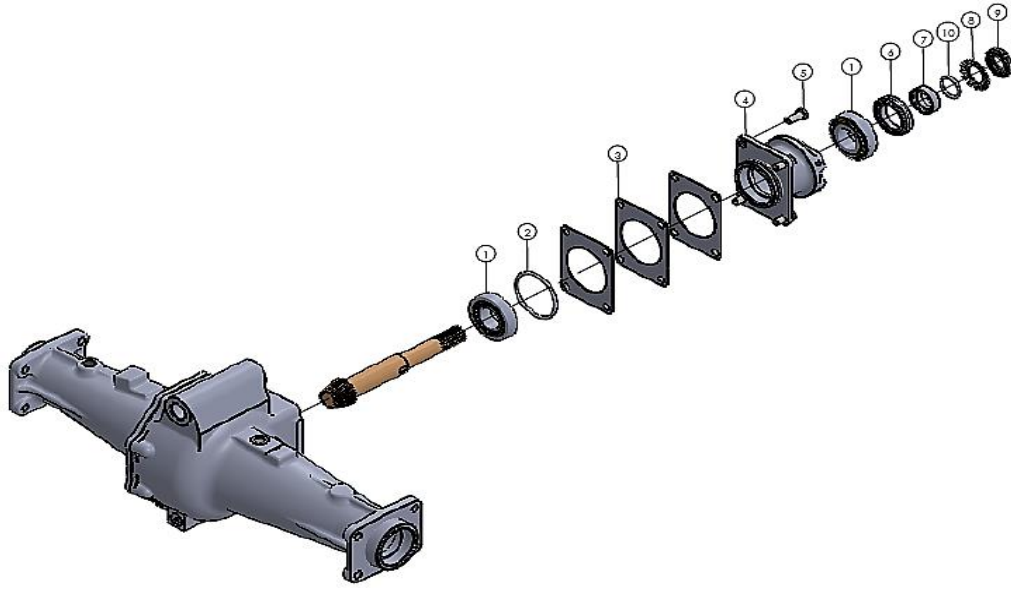
FIG. 601 AXLE HOUSING & CHASSIS



Key no	New ERP Number	Old Parts Number	Parts Name	Quantity	DESCRIPTION	SERVICABLE REMARKS
				270D		
19	MNA1411000BA0	M17014	NUT	2	M14	YES
20	MBA1203002BA0	M10012030	BOLT Hex Hd	8	M12X30	YES
20a	MWL1203002GA0	M30412	WASHER, spring	8	M12	YES
21	BCA11C00100A0	11501018100	CAP	4		YES
22	BCA18C00030A0	10072004000	PLATE-C	2		YES
23	MG50000021GA0	11190605300	SHIM	AR		YES
24	MRA0202400GA0	8300100200	O-RING	2		YES
25	MG61520400GA0	18060400430	GASKET, Centre Axle Housing A/B	1		YES
26	MGG0680400GA0	18060400540	GASKET, ends Axle housing A/B	2		YES
27	BFE45C00010A0	18130100640	BUMPER WEIGHT	4		YES
28	BCA18C00200A0	18130100840	Holder plate	1		YES
29	MWA1101600BA0	M30010	WASHER PLAIN	2		YES
30	BCA18C00190A0	P18130100741	BOLT, BUMPER WEIGHT	1		YES
31	MWL1002503GA0	M30410	WASHER SPRING	1		YES
32	MNA1008001BA0	M17010	NUT HEX, HD.	1		YES
33	JEB45C00001A0	EC130600130	HITCH BRACKET	1		YES
34	BEF44A00000A0	EC130600230	HITCH PIN ASSY	1		YES
35	BFA18C00020A0	27060100840	RUBBER GROMMET (27HP)	1		YES
36	MPS0000001GA0	521013000	PIN,SNAP	1		YES
37	MBA1003002BA0	M10010030	Bolt,Hex Head	4		YES
37a	MWA1101600BA0	M30010	Washer plain	4		YES
37b	MWL1002503GA0	M30410	Washer spring	4		YES
38	MNA1008001BA0	M17010	Nut	4		YES
39	JTA40C00050A0	JTB40C00000A	NAME PLATE (EXPORT TRACTOR-22HP)	1		YES
39A	AMA45C00780A0	M35003	RIVET BLIND DIA3.0	6		YES

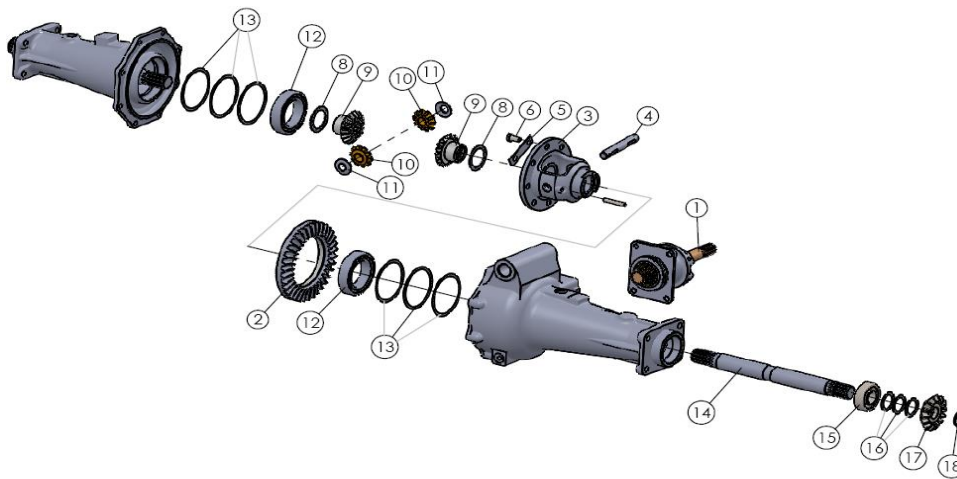


FIG. 602 FRONT PINION CASE



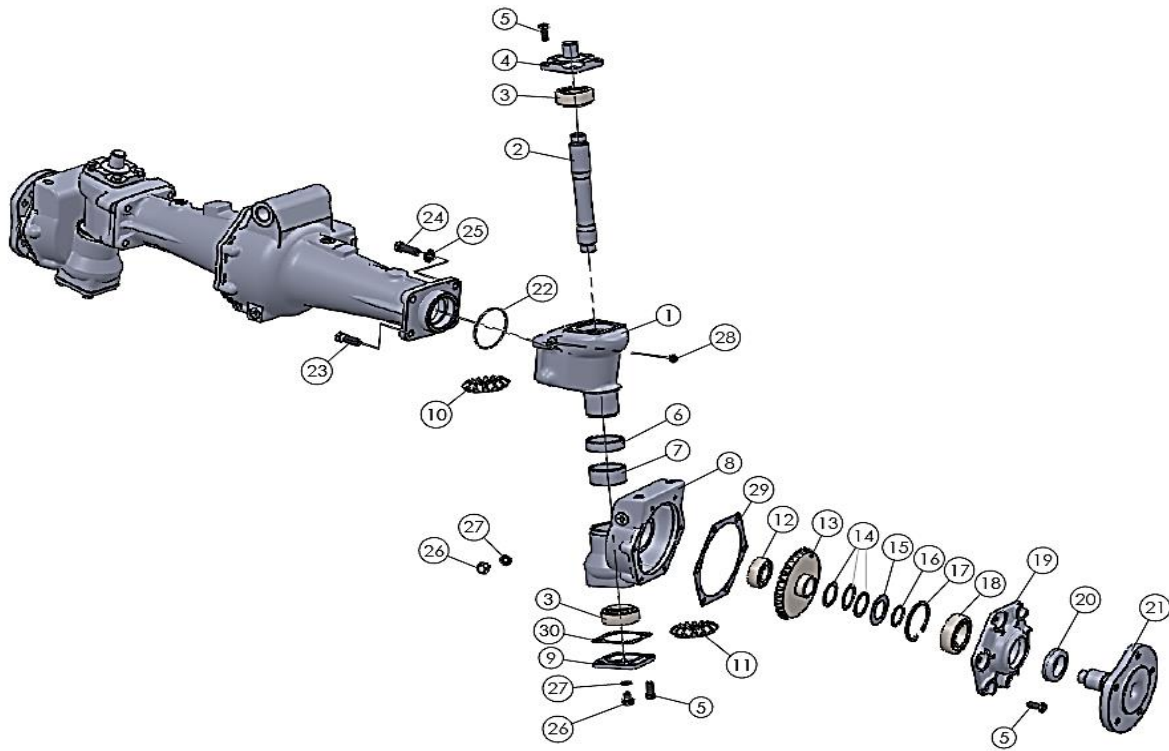
Key no	New ERP Number	Old Parts Number	Parts Name	Quantity	DESCRIPTION	SERVICABLE REMARKS
				270D		
1	MER0000000GA0	11351313001	BEARING, taper rollar	2		YES
2	MRA0602000GA0	8300500600	O-RING	1	∅60	YES
3	MGS0000014GA0	10070605000	SHIM	AR	t=0.1	YES
3a	MGS0000015GA0	10070605100	SHIM	AR	t=0.2	YES
3b	MGS0000016GA0	10070605200	SHIM	AR	t=0.4	YES
4	BCA11C00350A0	10070602000	CASE, pinion	1		YES
5	MBA0802504BA0	M10008025	BOLT, hex. hd.	4	M8X25	YES
5a	MWL0802003GA0	M30408	WASHER, spring	4	M8	YES
6	MGG3509000GA0	8401035529	SEAL, oil	1		YES
7	BCA11C00360A0	10212171000	BUSHING	1		YES
7a	BCA11C00370A0	11353015000	BUSHING	1		YES
8	MEW2501201BA0	3280102501	WASHER, lock	1	M25	YES
9	MEU2507001BA0	A3270102500	NUT	1	M25	YES
10	MRA0253100GA0	8300200250	O-RING	1	∅25	YES

FIG. 603 FRONT DIFFERENTIAL



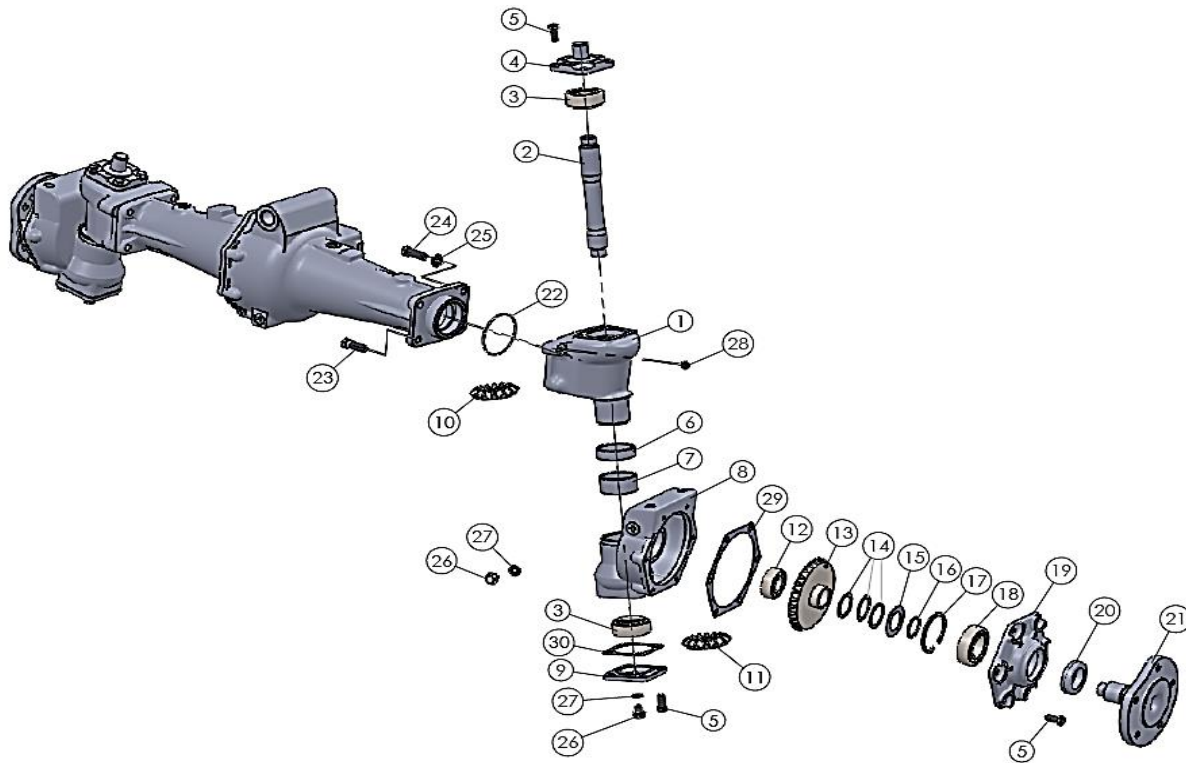
Key no	New ERP Number	Old Parts Number	Parts Name	Quantity	DESCRIPTION	SERVICABLE REMARKS
				270D		
1~11	BCA17A00070A0	10190601000	DIFF. CASE ASSY.	1		NO
1~2	BCA17C00050A0	180603001X0	SHAFT, pinion & GEAR, ring SET	1		YES
3	BCA17C00010A0	10190611000	CASE, diff.	1		YES
4	BCA12C00060A0	10191414000	SHAFT, pinion	1		YES
5	BCA12C00140A0	11351406000	WASHER, lock	4		YES
6	MBA0801602BA0	M10008016	BOLT, hex. hd.	8	M8X16	YES
7	MPB6004000GA0	5500006040	PIN, spring	1	Ø6X40	YES
8	MWG0001200GA0	10191416000	WASHER, thrust	2		YES
9	BCA12C00050A0	10191413000	GEAR, side	2		YES
10	BCA12C00040A0	10191412000	Pinion Mate 10T	2		YES
11	MWG1400005GA0	10191415000	WASHER, thrust	2		YES
12	MEB5016000GA0	7500060100	BEARING	2	6010	YES
13	MGG0000100GA0	10070618000	LINER	AR	t=0.1	YES
13a	MGG0000201GA0	10070618100	LINER	AR	t=0.2	YES
13b	MGG0000400GA0	10070618200	LINER	AR	t=0.4	YES
14	BCA17C00040A0	19820614000	SHAFT, diff	2		YES
15	MEG2515000GA0	10070626000	BEARING	2		YES
16	MGG0000102GA0	11353016000	LINIER	AR	t=0.1	YES
16a	MGG2600200BA0	7310002502	LINIER	AR	t=0.2	YES
16b	MGG0000014GA0	7320002504	LINIER	AR	t=0.4	YES
17	BCA17C00030A0	19820612000	PINION 14T	2		YES
18	MLS0231200GA0	H42609	RING,snap	2	Ø25	YES

FIG. 604 KING PIN CASE



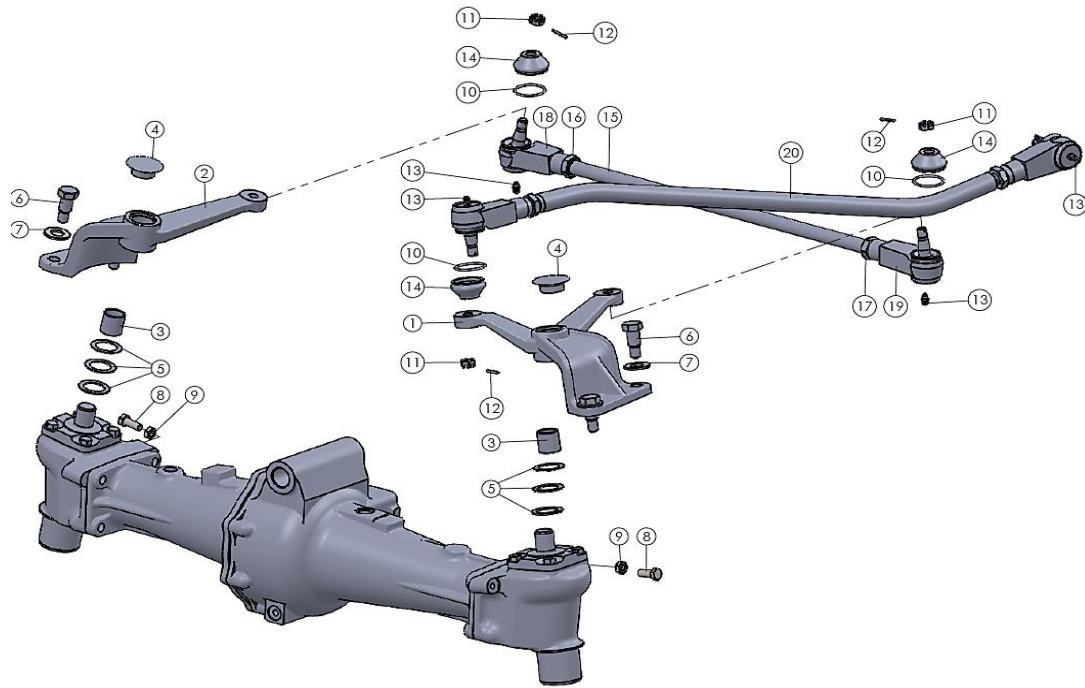
Key no	New ERP Number	Old Parts Number	Parts Name	Quantity	DESCRIPTION	SERVICABLE REMARKS
				270D		
1	BCA17C00060A0	10070628001	CASE, king pin	2		YES
2	BCA17C00080A0	10070635000	SHAFT	2		YES
3	MER0000002GA0	7701130304	BEARING, taper roller	4	30304	YES
4	BCA17C00130A0	10070647010	HOLDER	2		YES
5	MBA0802004BA0	M10008020	BOLT, hex.hd.	28	M8X20	YES
5a	MWL0802003GA0	M30408	WASHER, spring	28	M8	YES
6	BCA17C00100A0	10070641001	SEAL, oil	2		YES
7	BCA17C00160A0	5605004530	BUSHING	2		YES
8	BCA17C00070A0	10070634003	CASE, final	2		YES
9	BFA17C00010A0	10070638001	COVER	2		YES
10	BCA17C00030A0	19820612000	PINION 14T	4		YES
11	BCA17C00090A0	10070636000	PINION 15T	2		YES
12	MEG0000011GA0	14401203000	Ball Bearing 6204 C3	2		YES
13	BCA17C00120A0	10070644001	GEAR, bevel 29T	2		YES
14	MGG3100200BA0	7310003001	LINIER	AR	t=0.15	YES
14a	MGG3100201BA0	7310003002	LINIER	AR	t=0.2	YES
14b	MGG3100400BA0	7310003004	LINIER	AR	t=0.4	YES
15	MGG0001000GA0	10190643000	LINIER	2		YES
16	MLS3000000GA0	M18930	RING, snap	2	Ø30	YES
17	MLS6202000GA0	7410006200	RING, snap	2	Ø62	YES
18	MEB3016000GA0	A932502E	BEARING	2	6206	YES
19	BCA17C00110A0	10070642000	HOLDER, bearing	2		YES
20	MGG3512000GA0	8412355212	SEAL, oil	2		YES
21	BFA17C00020A0	19820611001	SHAFT, wheel	2		YES
22	MRA0652000GA0	8300500650	O-RING	2	Ø65	YES

FIG. 604 KING PIN CASE



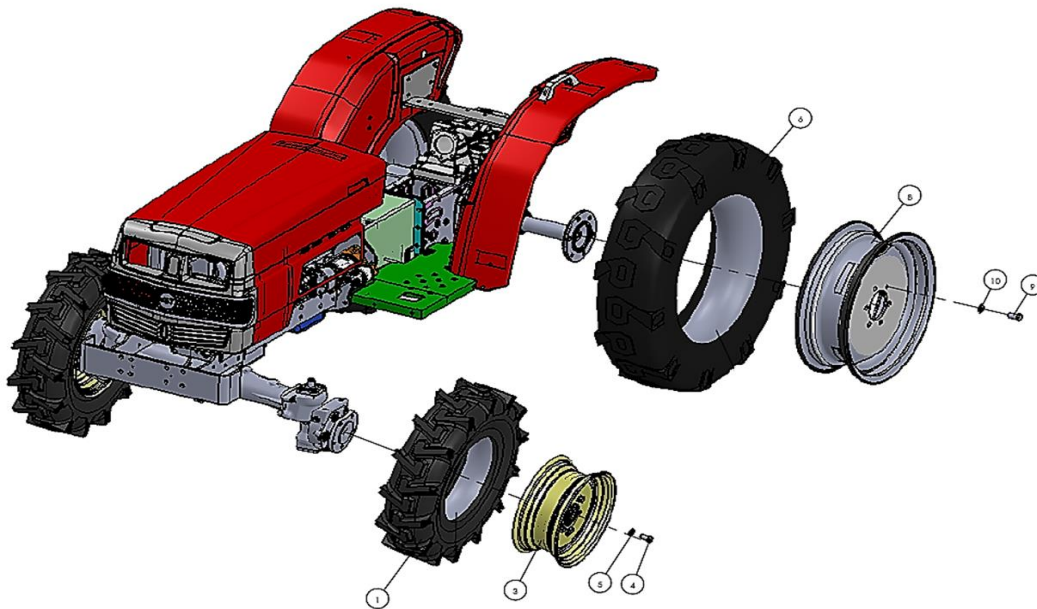
Key no	New ERP Number	Old Parts Number	Parts Name	Quantity	DESCRIPTION	SERVICABLE REMARKS
				270D		
23	MBA1003001GA0	11190684000	BOLT, reamer	4		YES
24	MBG0000013GA0	V0011000940	BOLT	4		YES
25	MWL1002503GA0	M30410	WASHER, spring	4	M10	YES
26	MUG0800001GA0	27403214200	PLUG	4		YES
27	MGG0000008GA0	F420208000	GASKET	4		YES
27a	MWN0701600GA0	8330000801	WASHER, seal	4	Ø8	YES
28	MUG0700000GA0	553408000	PLUG	2		YES
29	BCA17C00170A0	18060400630	Gasket - Bearing Holder	2		YES
30	MGG0000005GA0	18060400740	Gasket - Holder	2		YES

FIG. 605 TIE ROD & DRAG LINK



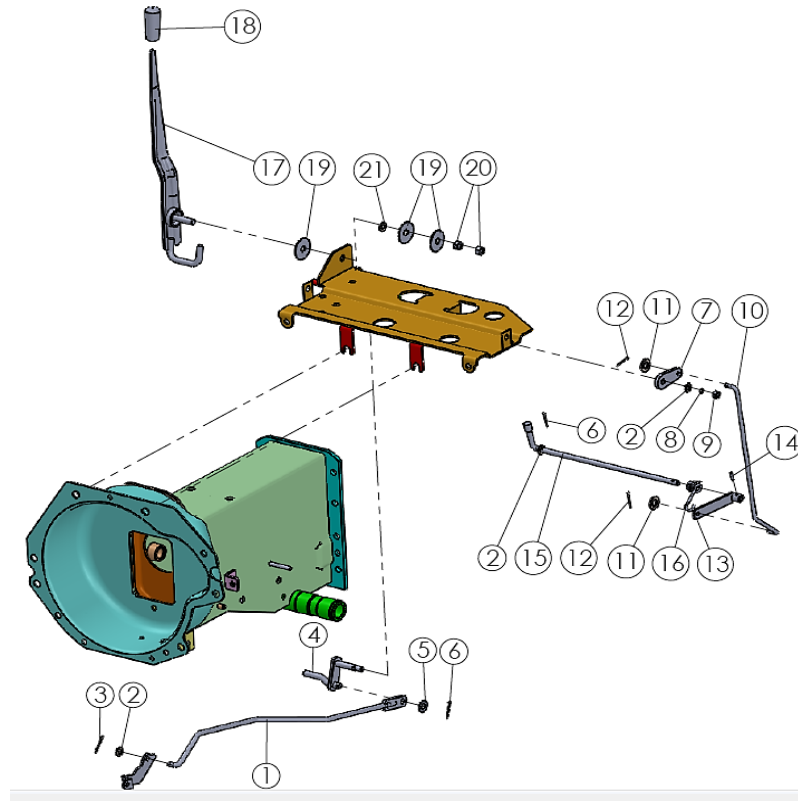
Key no	New ERP Number	Old Parts Number	Parts Name	Quantity	DESCRIPTION	SERVICABLE REMARKS
				270D		
<b>TIE ROD</b>						
1	BCA13C00130A0	10070648000	ARM, knuckle	1		YES
2	BCA13C00140A0	10070649000	ARM, tie rod	1		YES
3	BCA13C00150A0	05605-02025	BUSHING	2		YES
4	MUG0000019GA0	SF501030000	PLUG	2		NO
5	MGG0001400BA0	14381304000	LINER-C, thrust	AR	t=1.4	YES
5a	MGG0001200BA0	14381305000	LINER-D, thrust	AR	t=1.2	YES
5b	MGG0000800BA0	14381305100	LINER-E, thrust	AR	t=0.8	YES
5c	MGG0000500BA0	14381305200	LINER-F, thrust	AR	t=0.5	YES
5d	MGG0000200BA0	14381305300	LINER-G, thrust	AR	t=0.2	YES
6	MBA1203502BA0	A1620112035	BOLT, reamer	4	M12X35	YES
7	MWL1403502GA0	M30414	WASHER, spring	4	M14	YES
8	MBA0802504BA0	M10008025	Bolt Hex. Head	2		YES
9	MNA0806000BA0	M17008	NUT	2		YES
10	MLS0000001GA0	11190694000	RING, SNAP	1		NO
11	MNA1004500BA0	A3130101001	NUT, slotted	4	M10	YES
12	MTG2002500GA0	5200120025	PIN, SPLIT	4	Ø 2.0X25	YES
13	MGN0600400BA0	A6500100600	NIPPLE, GREASE	4		YES
14	BFA13C00320A0	11190693000	COVER, dust	1		NO
15	BCA13A00030A0	18060500522	TIE ROD ASSLY	1		YES
16	MNA1210002BA0	M17012	NUT	1		YES
17	MNA1210002BA0	M17012	NUT	1		YES
18-19	BCA97C00320A0	11190606687X0K0	TIE ROD END SET	set		YES
18	BFA13C00310A0	11190686000	TIE ROD END RH	1		NO
19	BFA13C00300A0	11190687000	TIE ROD END LH	1		NO
<b>DRAG LINK</b>						
20	BFA13A00110A0	27060500100	DRAG LINK ASSY (PS PHASE-2)	1		YES

FIG. 606 FRONT & REAR WHEEL AG TIRE



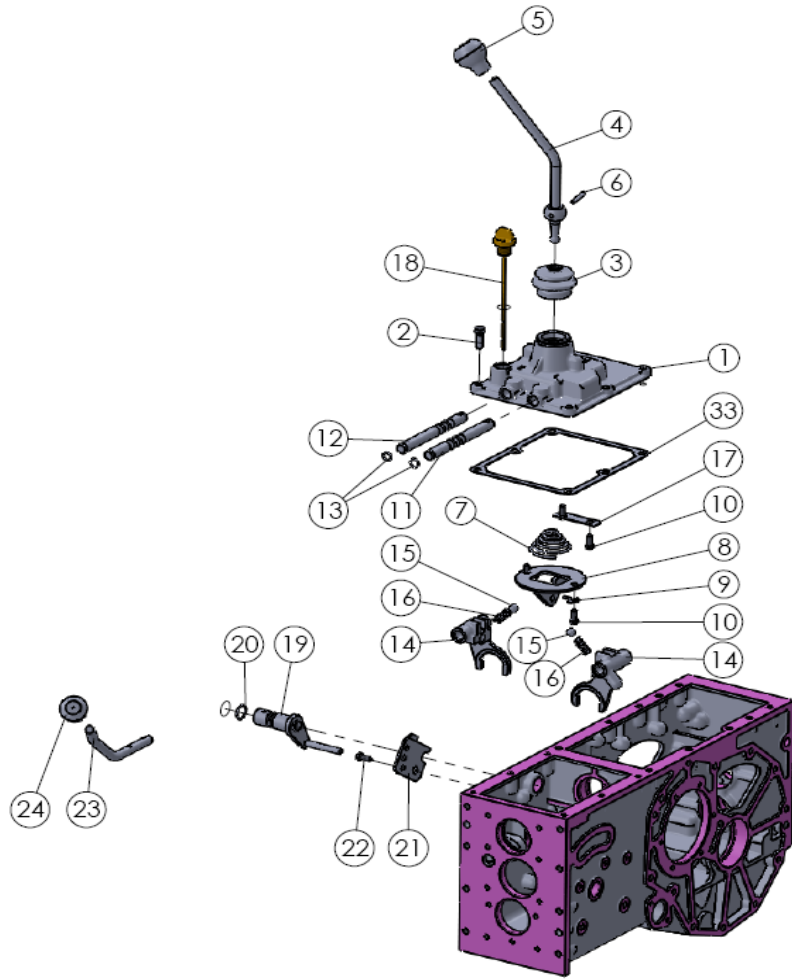
Key no	New ERP Number	Old Parts Number	Parts Name	Quantity	DESCRIPTION	SERVICABLE REMARKS
				270D		
1~3	JTA96A00090A0	JTA96A00090A	TYRE TUBE ASSY FRONT (6X12) B.K.T	SET	6-12 4PR	
1	BEA19C00010A0	BEA19C00010A	TYRE & TUBE 6 X12 SPARE	2	6-12 4PR	
2	JDA19P00010A0	JDA19P00010A	TUBE 6 X12 SPARE	2		
3	BFA19C00080A0	220606001X0	WHEEL RIM FRONT PAINTED (6X12 Silver	2		
4	MBA1202501BA0	M10012025	BOLT. hex. hd.	12	M12x25	
5	MWL1203002GA0	M30412	WASHER, spring	12	M12	
			<b>REAR WHEEL</b>			
6~8	JTA96A00100A0	JTA96A00100A	TYRE TUBE ASSY REAR (8.3X20) B.K.T)	SET	8.3-20 4PR	
6	BEA19C00000A0	BEA19C00000A	TYRE & TUBE BIG 8.3 X 20 SPARE	2	8.3-20 4PR	
7	JDA19P00030A0	JDA19P00030A	TUBE 8.3 X 20 SPARE	2		
8	BEF19C00000A0	220606002X1	WHEEL RIM REAR PAINTED (8.3X20 Silver	2		
9	MBA1403004BA0	M10014030	BOLT, hex. hd.	12	M14x30	
10	MWL1403502GA0	M30414	WASHER, spring	12	M14	

FIG. 701 ENGINE CONTROL



Key no	New ERP Number	Old Parts Number	Parts Name	Quantity	DESCRIPTION	SERVICABLE REMARKS
				270D		
1	BFA02C00090A1	BFA02C00090A1	ROD, control	1		YES
1c	BFA02C00030A0	27070101140	ADJUSTER ACCEL ROD (27HP)	1		NO
1d	BFA02C00040A0	27070101220P0	ACCEL ROD ASSY	1		NO
3	MPS1627700BA0	5210108000	PIN, snap	1	Ø8	YES
5	MWA1101600BA0	M30010	WASHER, plain	1	M10	YES
6	MTG2501600GA0	5200125016	PIN, split	2	Ø2.5X16	YES
7	BCA02C00070A0	10190219001	ARM	1		YES
8	MWL0802003GA0	M30408	WASHER, spring	1	M8	YES
9	MNA0806000BA0	M17008	NUT	1	M8	YES
10	BFA02C00070A0	27070100530	ACCLE CONN ROD	1		YES
11	MWA0701000BA0	M30006	WASHER, plain	2	M6	YES
12	MTG2001500BA0	5200120015	PIN, split	2	Ø2.0X16	YES
13	BCA02C00110A0	19740711000	ARM	1		YES
14	MPB3001600GA0	5500003016	PIN, spring	1	Ø3.0X16	YES
15	BFF02C00000A0	27070100330	ACCLE PEDAL	1		YES
16	BCA02C00090A0	10190228001	SPRING	1		YES
17	BCA02C00040A0	220701001X1	LEVER CONTROL PAINTED	1		YES
18	BCA02C00060A0	27724043000	GRIP	1		YES
19	BCA02C00050A0	19820204000	SPRING	2	5X28	YES
20	BCA02C00060A0	27724043000	GRIP ACCLE	1		YES
21	MWA1101600BA0	M30010	WASHER, PLAIN	2	M10	YES
22	MBA0603501BA0	M10006035	BOLT	1	M6	YES
23	BEK02C00000A0	27070100440	COVER, ACCELERATOR PEDAL	1		YES

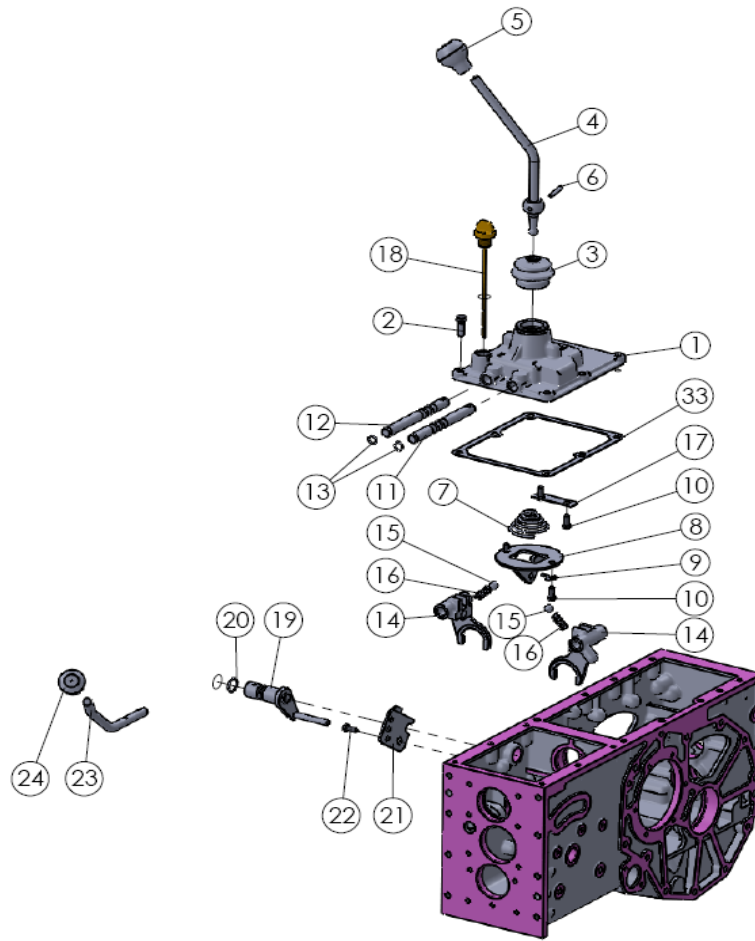
FIG. 702 TRANSMISSION SHIFTER



Key no	New ERP Number	Old Parts Number	Parts Name	Quantity	DESCRIPTION	SERVICABLE REMARKS
				270D		
1	BCA11C00430A0	11351709011	COVER, shifter	1		YES
2	MBA0802504BA0	M10008025	BOLT, hex.hd.	2	M8x25	YES
2a	MWL0802003GA0	M30408	WASHER, spring	2	M8	YES
3	BCA11C00440A0	11351715001	CAP, rubber	1		YES
4	BCA11C00030A0	BCA11C00030A	LEVER ( MAIN GEAR)	1		YES
5	BCA11C00050A0	BCA11C00050A	GEAR LEVER KNOB	1		YES
5a	MNA1210000GA0	27070201240	HEXAGON NUT (M12X1.5P)	1	M12X1.5	YES
6	MPB5003600GA0	5500005036	PIN, spring	1	Ø5x36	YES
7	BCA11C00500A0	36101361000	SPRING SPIRAL	1		YES
8	BCA11C00420A0	11351706000	BRACKET	1		YES
9	MWG0900500GA0	11351718000	WASHER	2		YES
10	MBA0801602BA0	M10008016	BOLT, hex. hd.	4	M8x16	YES
11	BCA11C00400A0	11351702000	SHIFT SHAFT LH	1		YES
12	BCA11C00390A0	11351701000	SHIFT SHAFT RH	1		YES
13	MRA0101901GA0	8300100101	O-RING	2	Ø10	YES
14	BCA11C00410A0	11351703011	FORK, shift	2		YES
15	BCA12C00530A0	M420275	BALL, steel	3	11/32"	YES
16	BCA12C00540A0	MA922079000	SPRING	4		YES
17	BCA12C00140A0	11351406000	STOPPER-B	1		YES

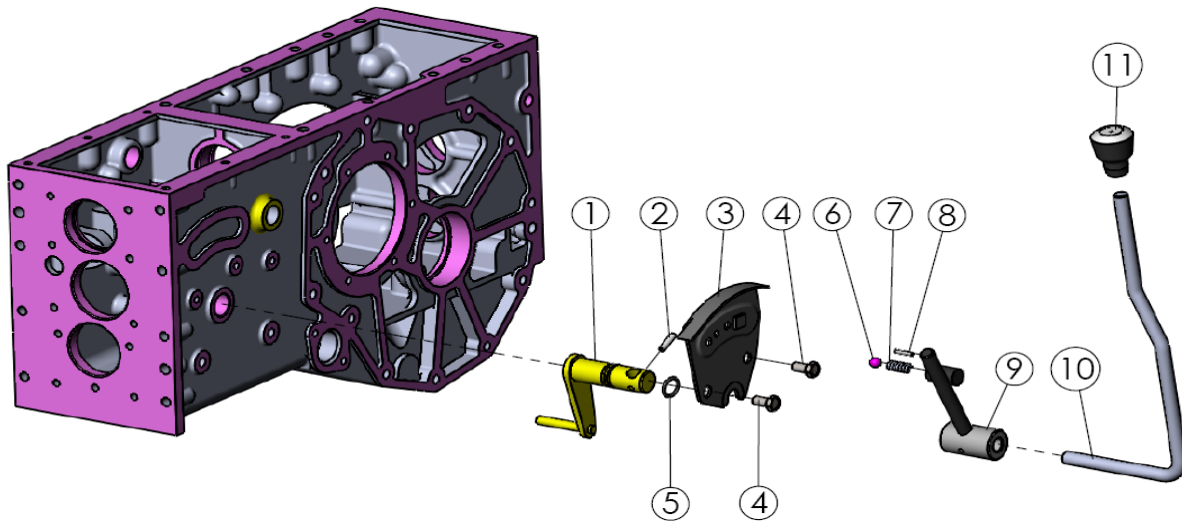


FIG. 702TRANSMISSION SHIFTER



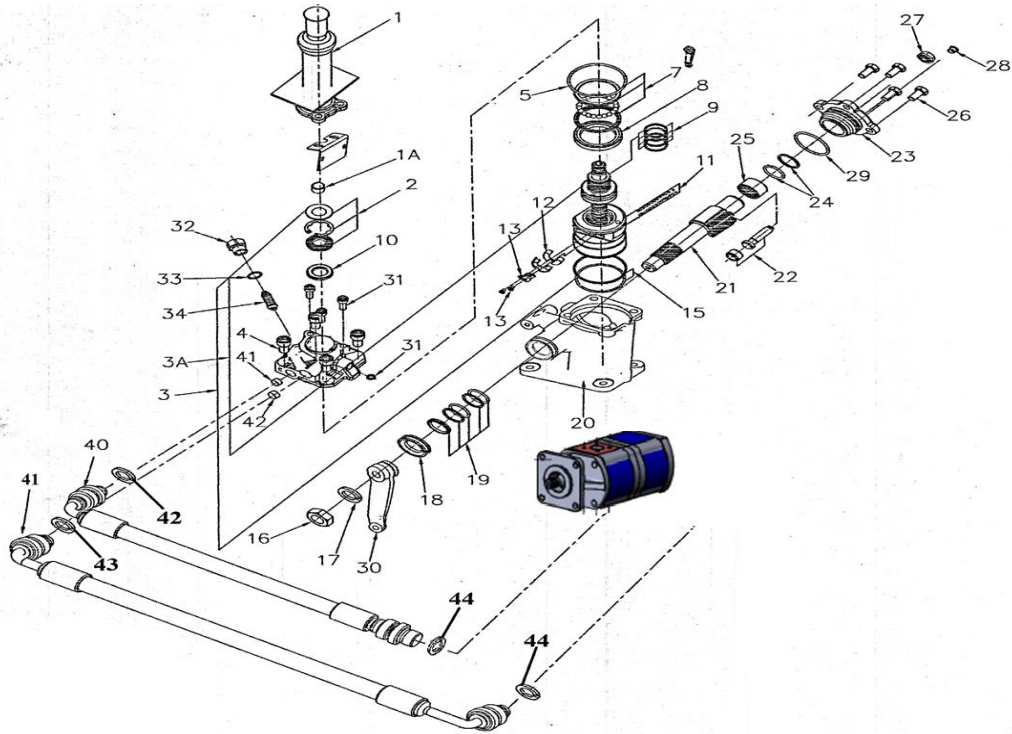
Key no	New ERP Number	Old Parts Number	Parts Name	Quantity	DESCRIPTION	SERVICABLE REMARKS
				270D		
18	BCA11C00520A0	27070204920P0	DIP STICK	1		YES
19	BFC11C00030A0	19821711002	SHIFTER SUB CHANGE	1		YES
20	MRA0182400GA0	8300100180	O-RING	1	Ø18	YES
21	BCA11C00460A0	19821713001	PLATE	1		YES
22	MBA0801602BA0	M10008016	BOLT, hex. hd.	1	M8x16	YES
22a	MWL0802003GA0	M30408	WASHER, spring	1	M8	YES
22b	MWA0801602GA0	M30008	WASHER, plain	1	M8	YES
23	BCA11C00020A0	BCA11C00020A	HIGH LOW LEVER	1		YES
24	BEF11C00050A0	27070201930	HIGH/LOW LEVER KNOB	1		YES
24a	MNA1210000GA0	27070201240	HEXAGON NUT (M12X1.5P)	1	M12X1.5P	YES
25	MGG0000402GA0	18070200330	GASKET, Shift Cover	1		YES

FIG. 703 P.T.O SHIFTER page 77



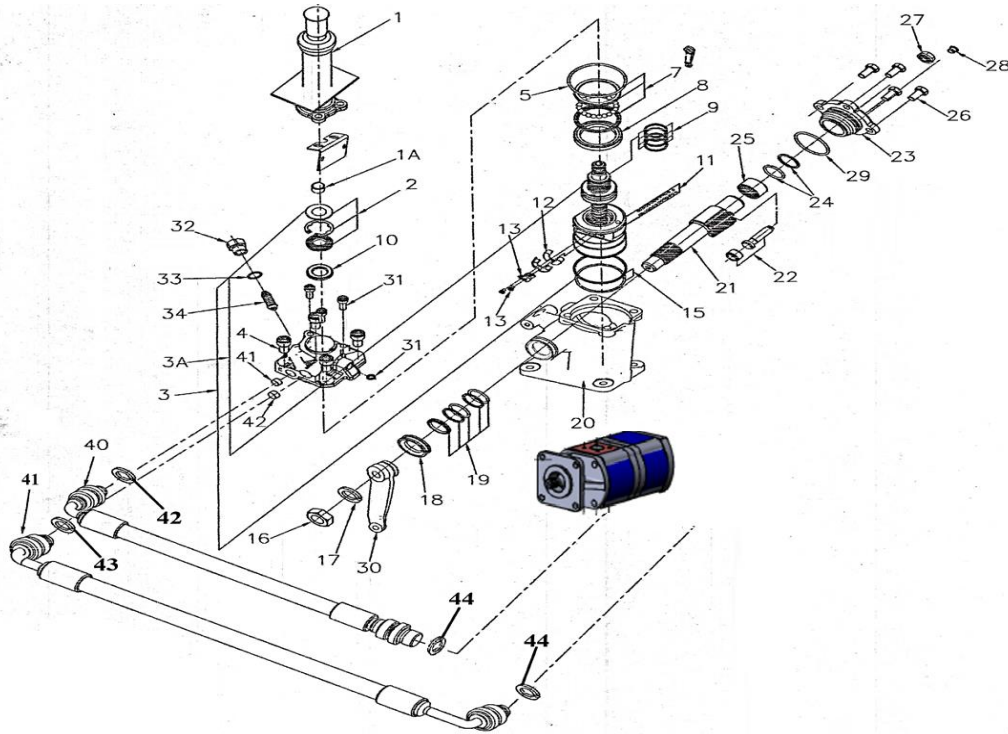
Key no	New ERP Number	Old Parts Number	Parts Name	Quantity	DESCRIPTION	SERVICABLE REMARKS
				270D		
1	BCA12C00690A0	10071751004	SHIFTER	1		YES
2	MPB5002200GA0	5500005022	PIN, spring	1	Ø18	YES
3	BCA12C00710A0	18070300120	PLATE	1	Ø15X22	YES
4	MBA0801602BA0	M10008016	BOLT,hex, hd	2		YES
4a	MWL0802003GA0	M30408	WASHER, spring	2		YES
4b	MWA0801602GA0	M30008	WASHER, plain	2		YES
5	MRA0182400GA0	8300100180	O-RING	1		YES
6	MGG1100000GA0	8000001100	BALL,steel	1	Ø3X18	YES
7	BCA12C00540A0	MA922079000	SPRING	1		YES
8	MPB3001800GA0	5500003018	PIN, spring	1		YES
9~10	JTA11C00000A0	JTA11C00000A	PTO LEVER ASSY	1		YES
11	BFA12C00060A0	27070300430	KNOB - PTO	1		YES

FIG. 704 POWER STEERING SYSTEM



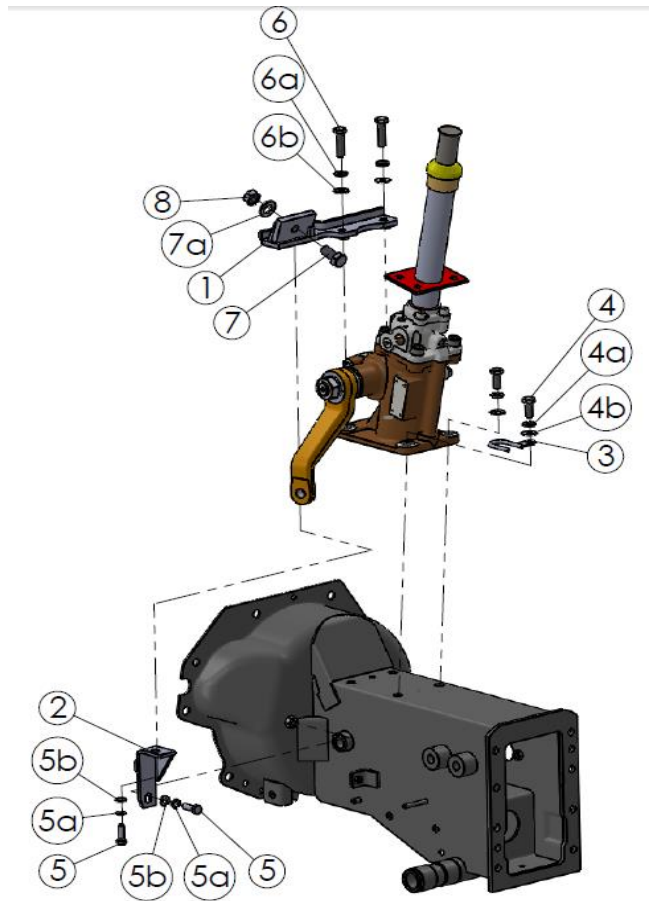
Key no	New ERP Number	Old Parts Number	Parts Name	Quantity	DESCRIPTION	SERVICABLE REMARKS
				270D		
0	BFA13A00020A0	270704001X2	POWER STEERING ASSY	1		YES
1	BFA13A00030A0	270704007X0	COLUMN ASSY	1		NO
1A	BFA13C00040A0	270704008X0	RUBBER PAD	1		NO
2	BFA13C00050A0	270704009X0	INPUT SHAFT SEAL KIT	1		NO
3	BFA13A00040A0	270704010X0	WORM & VALVE HSG WITH RACK ASSY	1		NO
3A	BFA13A00050A0	270704011X0	WORM & VALVE HSG ASSY	1		NO
4	MBG1202502GA0	270704012X0	BOLT,M 12X1.75X25	4		NO
5	MRA0000044GA0	270704013X0	O-RING - SPIGOT	1		NO
6	MRA0000045GA0	270704014X0	O-RING - SMALL	1		NO
7	BFA13C00060A0	270704015X0	KIT-BEARING RACE	1		NO
8	BFA13C00070A0	270704016X0	BEARING ADJUSTER	1		NO
9	BFA13C00080A0	270704017X0	SEAL RING VALVE	4		NO
10	BFA13C00090A0	270704018X0	ROLLER BEARING	1		NO
11	BFA13C00100A0	270704019X0	BALL	27		NO
12	BFA13C00110A0	270704020X0	BALL RETURN GUIDE,RH	2		NO
13	MLG0000006GA0	270704021X0	CLIP	1		NO
14	MSK0000000GA0	270704022X0	PAN HEAD SCREW	2		NO
15	BFA13C00120A0	270704023X0	KIT - SEAL	1		NO
16	BFA13C00130A0	270704024X0	STG GEARBOX SPARE NUT	1		NO
17	BFA13C00140A0	270704025X0	WASHER STEERING WHEEL (POWER SEER	1		NO
18	BFA13C00150A0	270704026X0	SEAL PROTECTOR	1		NO
19	BFA13C00160A0	270704027X0	SECTOR SHAFT SEAL KIT	1		NO
20	BFA13A00060A0	270704028X0	HOUSING ASSY	1		NO
21	BFA13A00070A0	270704029X0	SECTOR SHAFT ASSY	1		NO
22	BFA13C00170A0	270704030X0	S/S ADJ SCREW KIT	1		NO
23	BFA13C00180A0	270704031X0	SIDE COVER	1		NO
24	BFA13C00190A0	270704032X0	SIDE COVER SEAL KIT	1		NO
25	BFA13C00200A0	270704033X0	NEEDLE BEARING (SIDE COVER)	1		NO
26	MBG1002001GA0	270704034X0	BOLT,M 10X20	4		NO
27	MNG1200002GA0	270704035X0	SPECIAL NUT M12X1.25	1		NO
28	BFA13C00210A0	270704036X0	VENT PLUG	1		NO
29	MRA0000046GA0	270704037X0	O RING	1		NO
30	BFA13C00220A0	270704038X0	DROP ARM	1		YES

FIG. 704 POWER STEERING SYSTEM



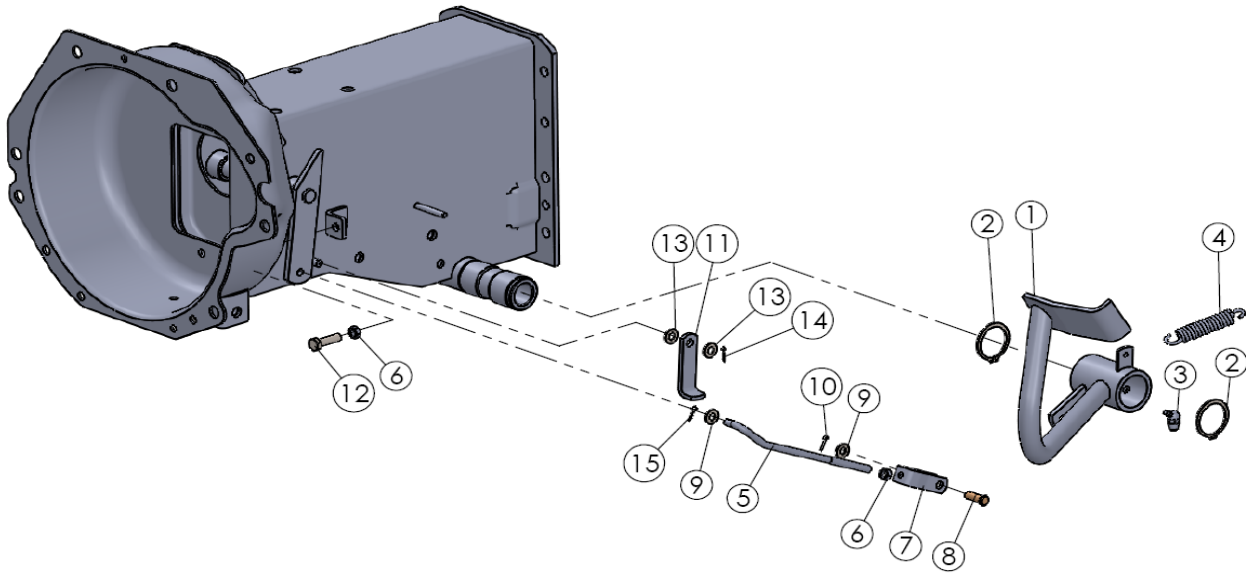
Key no	New ERP Number	Old Parts Number	Parts Name	Quantity	DESCRIPTION	SERVICABLE REMARKS
				270D		
31	BFA13C00230A0	270704039X0	SOCKET HEAD CAP SCREW	3		YES
32	BFA13C00240A0	270704040X0	PLUG (RELIEF VALVE)	1		YES
33	BFA13C00250A0	270704041X0	O-RING VALVE ASSY(70BAR)	1		YES
34	BFA13A00080A0	270704042X0	RELIEF VALVE ASSY(70BAR)	1		YES
35	BFA13C00260A0	270704006X0	STEERING WHEEL (POWER STEERING)	1		YES
36	BFA13C00270A0	270704003X0	Hose B torque generator (power steering)	1		YES
37	BFA13C00280A0	270704002X0	Hose A torque generator (power steering)	1		YES
38	BFA13A00090A0	270704001X0	Power steering assy	1		YES
40	BFA13C00280A0	270704002X0	Hose A torque generator (power steering)	1		YES
41	BFA13C00270A0	270704003X0	Hose B torque generator (power steering)	1		YES
42	BFF13C00000A0	270704004X0	COPPER WASHER M18	1		YES
43	BFF13C00010A0	270704005X0	COPPER WASHER M16	1		YES
44	BFA13A00030A0	270704007X0	COPPER WASHER 3/4	2		YES

FIG. 704 POWER STEERING STOPPER



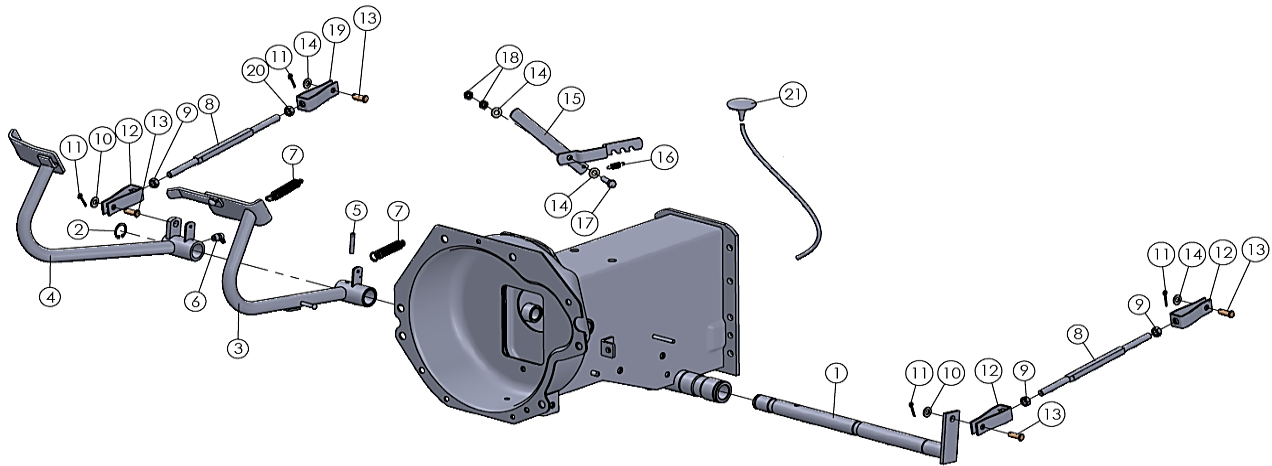
Key no	New ERP Number	Old Parts Number	Parts Name	Quantity	DESCRIPTION	SERVICABLE REMARKS
				270D		
1	BFA13A00100A0	270704043X0	BRACKET STEERING - A ASSY (PAINTED)	1		YES
2	BFA13C00290A0	270704044X0	BRACKET STEERING - B(PAINTED)	1		YES
3	BFA98C00010A0	27070404540	CLIP - STEERING HOSE (SIDE SHIFT)	1		YES
4	MBA1003002BA0	M10010030	Bolt Hex Head	4		YES
4a	MWA1101600BA0	M30010	Plain Washer	4		YES
4b	MWL1002503GA0	M30410	Washer Spring	4		YES
5	MBA0801602BA0	M10008016	Bolt Hex Head	2		YES
5a	MWL0802003GA0	M30408	Washer Spring	2		YES
5b	MWA0801602GA0	M30008	Plain Washer	2		YES
6	MBA1003002BA0	M10010030	Bolt Hex Head	2		YES
6a	MWA1101600BA0	M30010	Plain Washer	2		YES
6b	MWL1002503GA0	M30410	Washer Spring	2		YES

FIG. 705 CLUTCH PEDAL



Key no	New ERP Number	Old Parts Number	Parts Name	Quantity	DESCRIPTION	SERVICABLE REMARKS
				270D		
1	JDA10C00010A0	270705019X0	PEDAL CLUTCH SIDE SHIFTER(PAINTED)	1		YES
2	MLS0000016GA0	7400130800	RING, snap	2	Ø38	YES
3	MGN0500800BA0	A6513100301	NIPPLE, grease	1		YES
4	BCA10C00280A0	18070500140	SPRING	1		YES
5	BCA10C00260A0	10072157004	ROD			YES
6	MNA0806000BA0	M17008	NUT	2	M8	YES
7	BCA10C00250A0	10211821000	FORK, joint	1		YES
8	MPC0802600BA0	M3948X26	PIN, clevis	1	Ø8X25	YES
9	MWA0801602GA0	M30008	WASHER, plain	2	M8	YES
10	MTG2002500GA0	5200120025	PIN, split	2	Ø2X25	YES
11	BCA10C00270A0	10192158003	HOOK	1		YES
12	MBA0803002BA0	M10008030	BOLT, hex.hd.	1	M8X30	YES
13	MWA0801602GA0	M30008	WASHER, plain	1	M8	YES
14	MTG2001500BA0	5200120015	PIN, split	1	Ø2X16	YES
15	MTG2002500GA0	5200120025	PIN, split	1	Ø2X25	YES

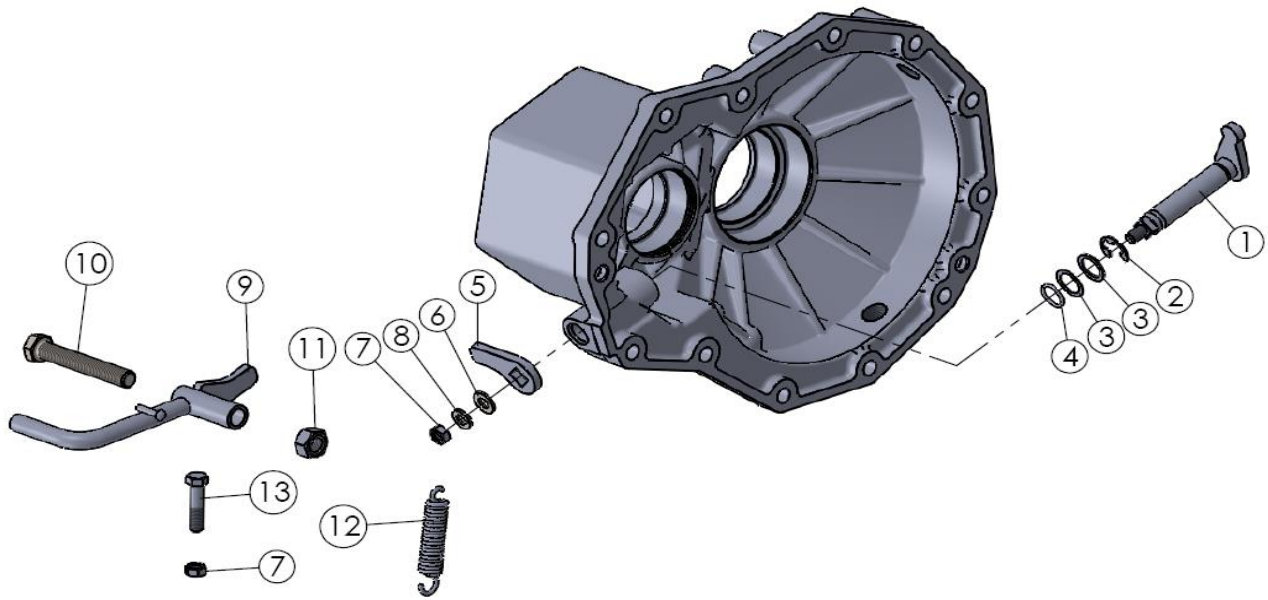
FIG. 706 BRAKE PEDAL



Key no	New ERP Number	Old Parts Number	Parts Name	Quantity	DESCRIPTION	SERVICABLE REMARKS
				270D		
1	JDA20C00020A0	JTA20C00010A	SHAFT, BRAKE(PAINTED)	1	JTA20C00010A	YES
2	MLS0231200GA0	H42609	RING, snap	2	Ø25	YES
3	JDA20C00030A0	270706010X0	PEDAL BRAKE LH (SIDE SHIFTER)(PAINTED)	1		YES
4	JDA20C00040A0	270706011x0	PEDAL BRAKE RH (SIDE SHIFTER)(PAINTED)	1		YES
5	MPB8003600GA0	5500008036	PIN, spring	1	Ø8X36	YES
6	MGN0500800BA0	A6513100301	Nipple Grease	1		YES
7	BCA20C00160A0	18070600440	Spring Brake Pedal	2		YES
8	BCA20C00150A0	18070600341	ROD BRAKE	2		YES
9	MNA1008001BA0	M17010	NUT HEXAGONAL	2	M10	YES
10	MWA0801602GA0	M30008	WASHER, plain	2	M8	YES
11	MTG2002500GA0	5200120025	PIN, split	4	Ø2X25	YES
12	BCA20C00120A0	11352222000	JOINT	4		YES
13	MPC0802501GA0	SF285508025	PIN, clevis	4		YES
14	MWA0801602GA0	M30008	WASHER, plain	4	M8	YES
15	BCA20C00200A0	19812231000	LEVER			YES
15	BFA20C00070A0	27070600530	LEVER, PARKING BRAKE	1		YES
16	BCA20C00130A0	11352230000	SPRING	1		YES
17	MBA0803502BA0	M10008035	BOLT, hex.hd.	1	M8X35	YES
18	MNA0806000BA0	M17008	NUT	2	M8	YES
19	BCA20C00140A0	18070600240	JOINT (L)	2		YES
20	MNA1008000BA0	18000200141	NUT, hex. (LH thread)	2		YES
21	BFA20A00000A0	27070600430	PARKING BRAKE CABLE ASSY.	1		YES
22	BFA20C00080A0	27070600330	PEDAL COVER	2		YES



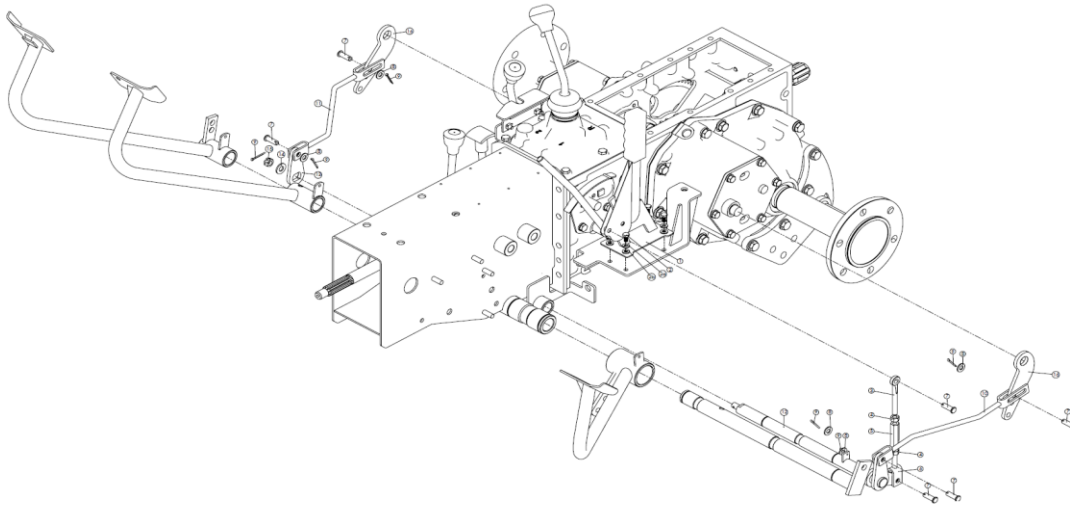
FIG. 707 DIFF. LOCK PEDAL



Key no	New ERP Number	Old Parts Number	Parts Name	Quantity	DESCRIPTION	SERVICABLE REMARKS
				270D		
1	BCA12C00720A0	11351801001	SHIFTER	1		YES
2	MLB0000001GA0	7420101200	E-RING	1	Ø12	YES
3	MGG1600400BA0	7310001504	LINER	AR	t0.4	YES
3a	MGG1601200BA0	7310001512	LINER	AR	t1.2	YES
4	MRA0112400GA0	8300100110	O-RING	1	Ø11	YES
5	BCA12C00730A0	11351804000		1		YES
6	MWA0801602GA0	M30008	WASHER, plain	1	M8	YES
7	MNA0806000BA0	M17008	NUT	2	M8	YES
8	MWL0802003GA0	M30408	WASHER, spring	1	M8	YES
9	BFA12C00040A0	27070700120	PEDAL DIFF LOCK	1		YES
10	MBA1208000BA0	M10012080	BOLT, hex. head	1	M12X20	YES
11	MNA1210002BA0	M17012	NUT	1	M12	YES
12	BCA12C00750A0	14683379000	SPRING	1		YES
13	MBA0803502BA0	M10008035	BOLT, hex.head	1	M8X35	YES

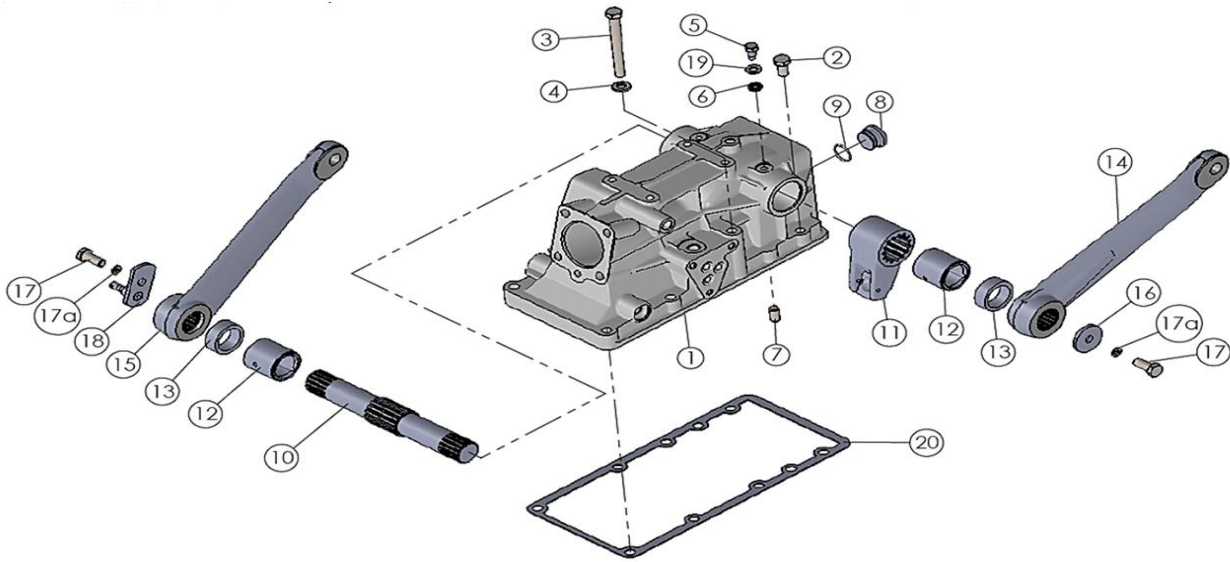


FIG. 708 HAND BRAKE



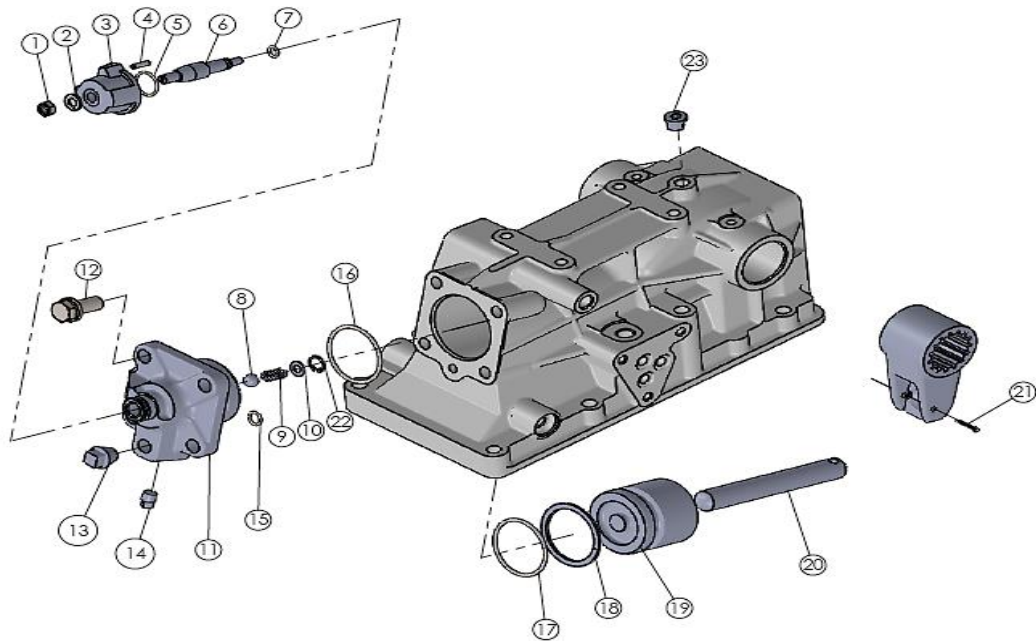
Key no	New ERP Number	Old Parts Number	Parts Name	Quantity	DESCRIPTION	SERVICABLE REMARKS
				270D		
1	BHA11A00120A0	EC0708014X0	HAND BRAKE ASSY	1		YES
2	MBA0601601BA0	M10006016	Bolt hex head	4	M6	YES
2a	MWA0701000BA0	M30006	PLAIN WASHER	4		YES
2b	MWL0601502BA0	M30406	SPRING WASHER	4		YES
3	JTA20C00000A0	JTA20C00000A	Hand brake link A	1		YES
4	MNA0806000BA0	M17008	NUT	2		YES
5	BFA02C00030A0	27070101140	ADJUSTER, ACCELE. ROD (27HP)	1		YES
6	JDA20C00080A0	JDA20C00080A	Hand brake link B	1		YES
7	MPC0802501GA0	Sf285508025	Pin, clevis	6		YES
8	MWA0801602GA0	M30008	Washer M8	6		YES
9	MTG2002500GA0	5200120025	Pin, split	6		YES
10	JDA20C00110A0	JDA20C00110A	Hand brake link LH	1		YES
11	JDA20C00100A0	JDA20C00100A	Hand brake link RH	1		YES
12	JDA20C00050A0	JDA20C00050B	SHAFT, hand brake	1		YES
13	JDA20C00090A0	JDA20C00090A	Actuator, hand brake shaft	1		YES
14	MWA1302300BA0	M30012	Washer (M12)	1		YES
15	MNA1004500BA0	A3130101001	Nut, soltted (M10)	1		YES
16	JDA20C00000A0	JDA20C00000A	Brake actuator rod, RH	1		YES
17	JDA20C00010A0	JDA20C00010A	Brake actuator rod, LH	1		YES
18	JDA34A00030A0	JDA34A00030B	BRAKE SWITCH (EXPORT)	1		YES
19	JDA20C00120A0	JDA20C00120A	JOINT	1		YES
20	JDA34A00040A0	JDA34A00040A	PTO & NEUTRAL SWITCH SENSOR	2		YES
21	JDA20C00140A0	P03664	HAND BRAKE SENSOR BRACKET	1		YES
22	JDA98C00010A0	P03660	NUT, HAND BRAKE LINK	2		YES

FIG. 801 HYDRAULIC LIFT



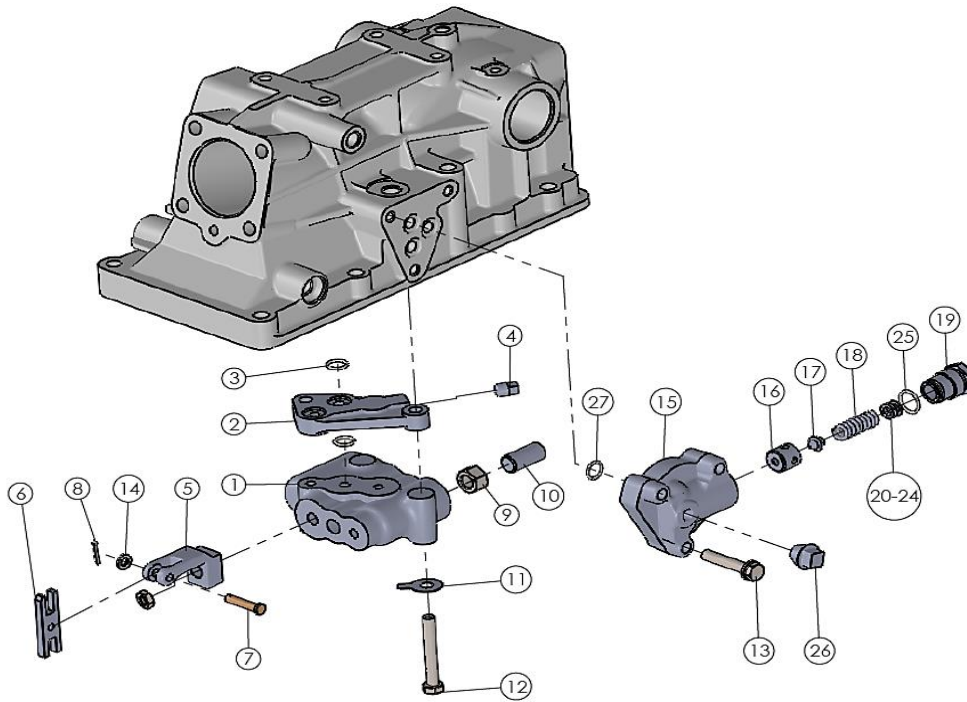
Key no	New ERP Number	Old Parts Number	Parts Name	Quantity	DESCRIPTION	SERVICABLE REMARKS
				270D		
1	BCA14C00390A0	18080200301	CASE, Hydraulic ADDC	1		YES
2	MBA1004500BA0	M10010045	BOLT, hex. hd.	7	M10X45	YES
2a	MWL1002503GA0	M30410	WASHER, spring	7	M10	YES
3	MBA1010000BA0	M10010100	BOLT, hex. hd.	1	M10X100	YES
4	MWL1002503GA0	M30410	WASHER, spring	1	M10	YES
5	MBA0801601GA0	11352412000	BOLT	2		YES
6	MWN0701600GA0	8330000801	WASHER, seal	2		YES
7	MPA1001801GA0	5401010018	PIN, dowel	2	Ø10X18	YES
8	MUG2100000GA0	10072441000	PLUG	1	Ø21	YES
9	MRA0212400GA0	8300100210	O-RING	1		YES
10	BCA14C00330A0	10072409001	Shaft Hydraulic	1		YES
11	BCA14C00340A0	11352407001	Fork Lift	1		YES
12	BCA14C00350A0	11352411001	(O) Bushing Lift Arm	2		YES
13	MGG3007000GA0	8401030427	SEAL, oil	2	TC30427	YES
14	BCA14C00370A0	11352414012	Arm Lift LH	1		YES
15	BCA14C00360A0	11352413012	Arm Lift RH	1		YES
16	MWG1105000BA0	36100104002	WASHER	1		YES
17	MBA1002502BA0	M10010025	BOLT,HEX.HD	2	M10X25	YES
17a	MWL1002503GA0	M30410	WASHER, spring	2	M10	YES
18	BCA14C00320A0	10032406001	PLATE (REGULAR)	1	(ADDC) (P01814)	YES
19	MWA0801602GA0	M30008	WASHR, Plain	2	M8	YES
20	MGG0000403GA0	18080101620	GASKET, Hyd.Case	1		YES

FIG. 802 HYDRAULIC CYLINDER



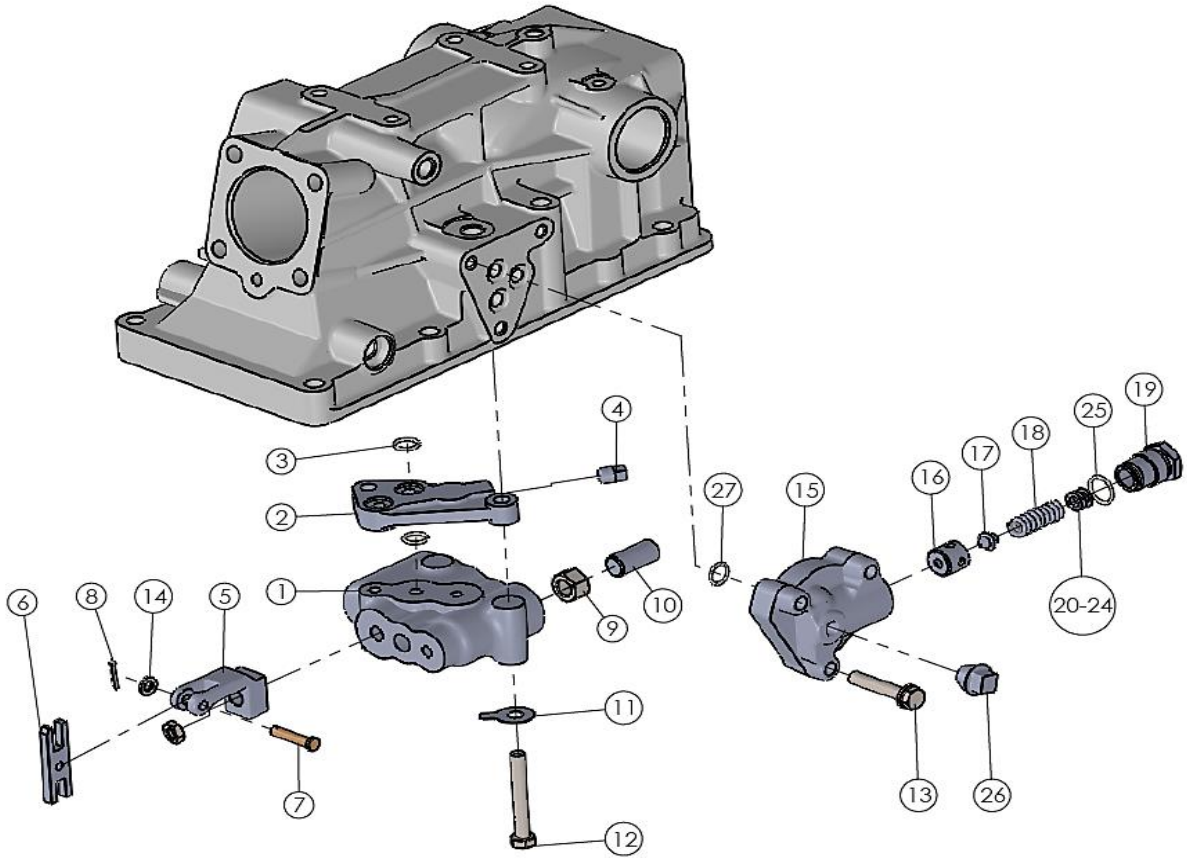
Key no	New ERP Number	Old Parts Number	Parts Name	Quantity	DESCRIPTION	SERVICABLE REMARKS
				270D		
1	MNA0806000BA0	M17008	NUT	1	M8	YES
2	MWL0802003GA0	M30408	WASHER, spring	1	M8	YES
3	BCA14C00420A0	10072439000	GRIP	1		YES
4	MPB4001600GA0	5500004016	PIN, spring	1	Ø4X16	YES
5	MRA0202400GA0	8300100200	O-RING	1	Ø20	YES
6	BCA14C00410A0	10072437000	ADJUSTER	1		YES
7	MRA0071900GA0	8300100070	O-RING	1	Ø7	YES
8	MGG1100000GA0	8000001100	BALL, steel	1	7/16"	YES
9	BCA14C00440A0	11501707000	SPRING	1		YES
10	MWG0701000GA0	19822413000	WASHER	1		YES
11	BCA14C00460A0	19822412001	HEAD, cylinder	1		YES
12	MBA1204500BA0	M10012045	BOLT, hex. hd.	4	M12X45	YES
12a	MWL1203002GA0	M30412	WASHER, spring	5	M12	YES
13	MUG0170000GA0	A6000201000	PLUG, taper	1	PT3/8"	YES
14	MUG0100002GA0	A6000000300	PLUG, taper	1	PT3/8"	YES
15	MRA0000049GA0	11352406200	O-RING	1	Ø10	YES
16	MRA0000048GA0	11352406100	O-RING	1	Ø50	YES
17	MRA0505700GA0	8300100501	O-RING	1	Ø50	YES
18	MRG0501900GA0	11352405101	RING, back-up	1		YES
19	BCA14C00430A0	11352405011	PISTON	1		YES
20	BCA14C00400A0	10072408000	ROD, piston	1		YES
21	MTG5004501BA0	5200150045	PIN, split	1	Ø5X45	YES
22	MLS1501000BA0	7410101500	RING, snap	1	Ø15	YES
23	BCA14C00890A0	181501012X0	Air Breather ASPRA	1		YES

FIG. 803 HYDRAULIC CONTROL VALVE



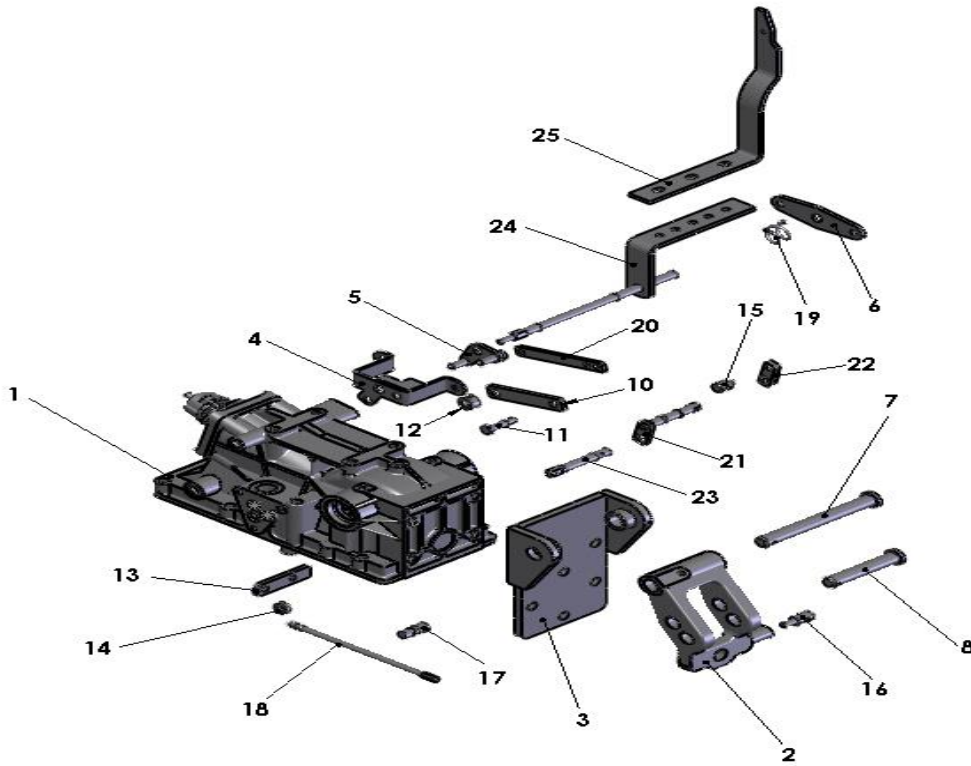
Key no	New ERP Number	Old Parts Number	Parts Name	Quantity	DESCRIPTION	SERVICABLE REMARKS
				270D		
1	BCA14C00470A0	10032416001	CONTROL VALVE	1		YES
2	BCA14C00580A0	19812402003	SPACER	1		YES
3	MRA0122401GA0	8300100120	O-RING	3	Ø12	YES
4	MUG0100002GA0	A6000000300	PLUG, taper	1	PT1/18"	YES
5	BCA14C00570A0	19812401001	JOINT	1		YES
6	BCA14C00480A0	10032419001	LINK, valve	1		YES
7	MPC0603000BA0	5610106030	PIN, clevis	1	Ø6X30	YES
8	MTG0201500GA0	M39016X15	PIN, split	1	Ø1.612	YES
9	MNA1400800BA0	M17214	NUT	1	M14	YES
10	BCA14C00590A0	19812403000	PIPE	1		YES
11	MWG0800500GA0	3800100800	WASHER, lock	2	M8	YES
12	MBA0806500BA0	M10008065	BOLT, hex.hd.	2	M8X60	YES
13	MBA0804504BA0	M10008045	BOLT, hex.hd.	3	M8X45	YES
13a	MWL0802003GA0	M30408	WASHER, spring	3	M8	YES
14	MWA0701000BA0	M30006	WASHER, plain	1	M6	YES
15~26	BCA14A00130A0	10032420000	COVER ASSY.	1		YES
15	BCA14C00490A0	10032420110	COVER	1		YES
16	BCA14C00500A0	10032420120	SEAT	1		YES
17	BCA14C00510A0	10032420131	POPET	1		YES
18	BCA14C00520A0	10032420140	SPRING	1		YES
19	MUG1300000GA0	10032420150	PLUG	1		YES
20	MGS0000100GA0	6957316017	SHIM	1		YES

FIG. 803 HYDRAULIC CONTROL VALVE



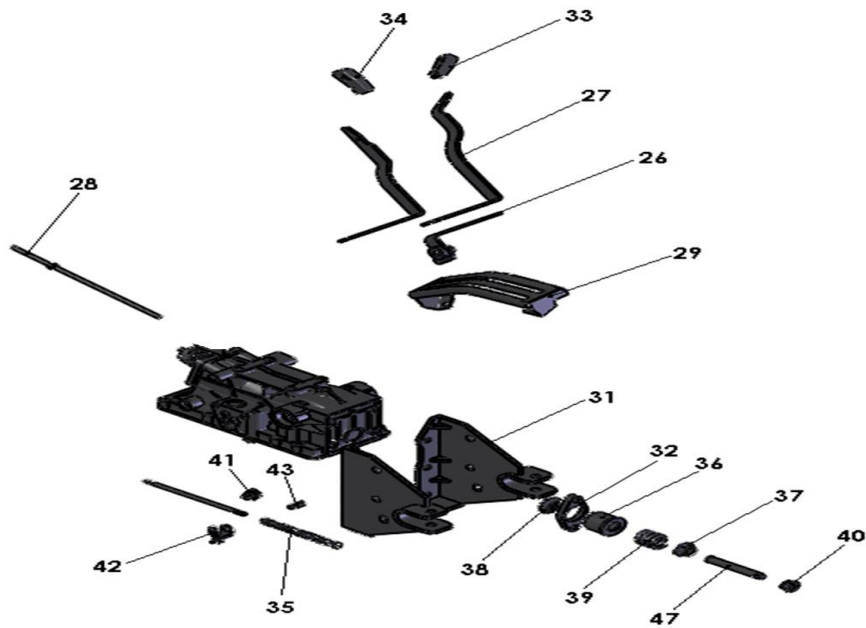
Key no	New ERP Number	Old Parts Number	Parts Name	Quantity	DESCRIPTION	SERVICABLE REMARKS
				270D		
25	MRA0161500GA0	8300500160	O-RING	1	Ø16	YES
26	MUT0100001GA0	MS661120	PLUG, taper	1		YES
27	MRA0122401GA0	8300100120	O-RING	3	Ø12	YES

FIG. 805 HYDRAULIC CONTROL (ADDC)



Key no	New ERP Number	Old Parts Number	Parts Name	Quantity	DESCRIPTION	SERVICABLE REMARKS
				270D		
1	BCA14C00399A0	18080200300C	CASE HYDRAULIC ADDC (MACHINED)	1		YES
2	BCA45A00010A0	18090100420	HITCH HYDRAULIC ASSY	1		YES
3	BCA45C00050A0	18090100520	HITCH BRACKET	1		YES
3A	MBA1206500BA0	MBA1206500BA	BOLT	2		YES
4	BCA14C00670A0	18080400530	BRACKET,LEVER ADDC	1		YES
6	BCA14C00720A0	18080400740	FLANGE PLATE	1		YES
7	MPG1815500BA0	18090101240	PIN-A (ADDC)	1		YES
8	MPG1809300BA0	18090101340	PIN-B (ADDC)	1		YES
9	BCA14A00180A0	18080400840	LINKAGE ASSY	1		YES
10	BCA14C00730A0	1808040A840	PLATE,LINKAGE	1		YES
11	MPG1003700BA0	1808040B840	PIN, ADDC	1		YES
12	MWG1320000BA0	18080401240	WASHER C (ADDC)	1		YES
15	MPG0000017GA0	18080401040	PIN 'A'	1		YES
16	MPG1002000BA0	18080501340	PIN HITCH	1		YES
17	MPG0800801BA0	18080301240	PIN,FULCRUM ADDC	1		YES
18	BCA14C00610A0	18080300530	ROD,LINK	1		YES
19	BCA14C00680A0	18080401140	SPRING LEVER	1		YES
20	BCA14C00860A0	18080501040	PLATE LINKAGE 'A'	1		YES
21	BCA14C00540A0	18080300740	FULCRUM ADDC	1		YES
22	BCA14C00870A0	18080501140	PLATE,FULCRUM	1		YES
23	BCA14C00550A0	18080300830	FULCRUM SHAFT	1		YES
24	BEJ14C00000A0	BT0805002X0	LEVER, CONTROL (POSITION) PAINTED	1		YES
24	BCA48C00060A0	BT080500430	BRACKET LEVER (POSITION)			YES
25	BCA48C00070A0	BT080500530	BRACKET LEVER (DEPTH)			YES

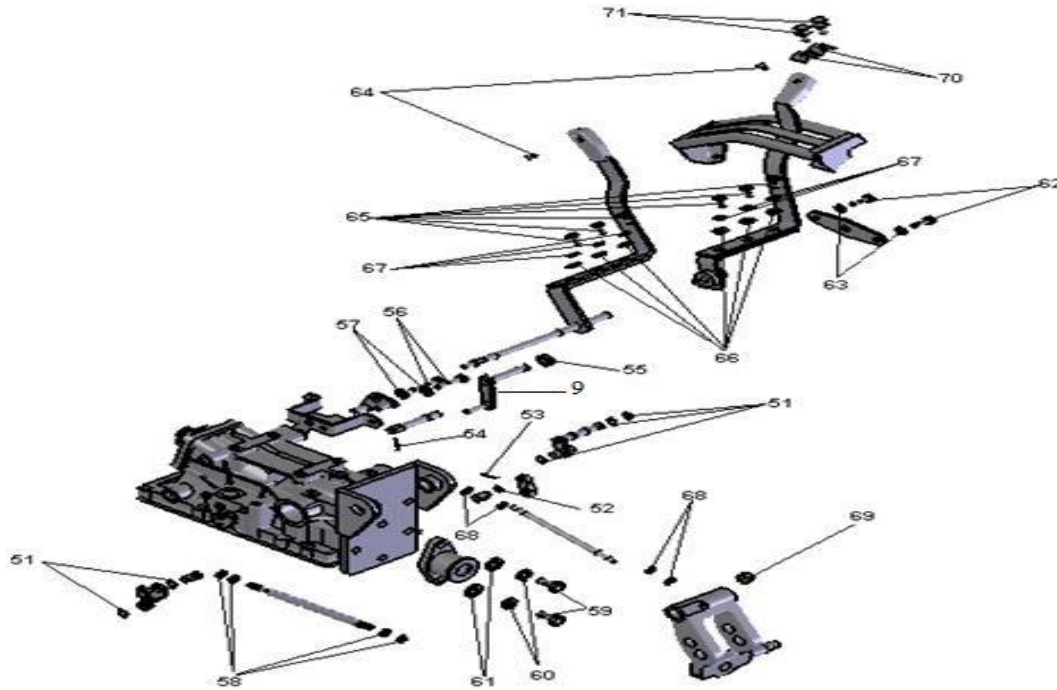
FIG. 805 HYDRAULIC CONTROL (ADDC)



Key no	New ERP Number	Old Parts Number	Parts Name	Quantity	DESCRIPTION	SERVICABLE REMARKS
				270D		
27	BEJ26C00050A0	BT0805003X0	LEVER, CONTROL (DRAFT) PAINTED	1		YES
28	BCA14C00810A0	18080501230	ROD	1		YES
29	BEJ26C00040A0	BT0805001X0	GUIDE LEVER CONTROL PAINTED	1		YES
32	BCA45C00060A0	18090100630	FLANGE HOUSING	1		YES
33	BCA26C00210A0	2208050A941	GRIP-RED (LEVER CONTROL)	1		YES
34	BCA26C00220A0	2208050B941	GRIP-YELLOW (LEVER CONTROL)	1		YES
35	BCA14C00530A0	18080300630	SPRING, LINK ROD	1		YES
36	BCA45C00070A0	18090100730	HOUSING ADDC (FABRICATED)	1		YES
37	BCA45C00240A0	18090100840	LOCATOR FLANGE	1		YES
38	BCA45C00080A0	18090100940	LOCATOR FLANGE 'A'	1		YES
39	BCA45C00090A0	18090101040	SPRING,HITCH	1		YES
40	MNK1413500BA0	18090101140	FLANGE NUT	1		YES
41	BCA14C00600A0	18080300430	PLATE FULCRUM SMALL	1		YES
42	BCA14A00140A0	18080300340	PLATE FULCRUM ASSY	1		YES
43	MPG1202100BA0	18080301040	PIN, LINK ROD	1		YES
44	MWG2002000BA0	18080401340	WASHER 'A' (ADDC)	1		YES
45	MWG1302001BA0	18080301340	WASHER 'B' (ADDC)	4		YES
46	MWG1320000BA0	18080401240	WASHER 'C' (ADDC)	1		YES
47	MBG1410800GA0	18090101541	DOME BOLT	1		YES
48	MNA1408000BA0	18090101440	THIN NUT	1		YES
49	MTG2001500BA0	5200120015	SPLIT PIN	4		YES
50	MLS1101000GA0	7400001200	RING SNAP	4		YES



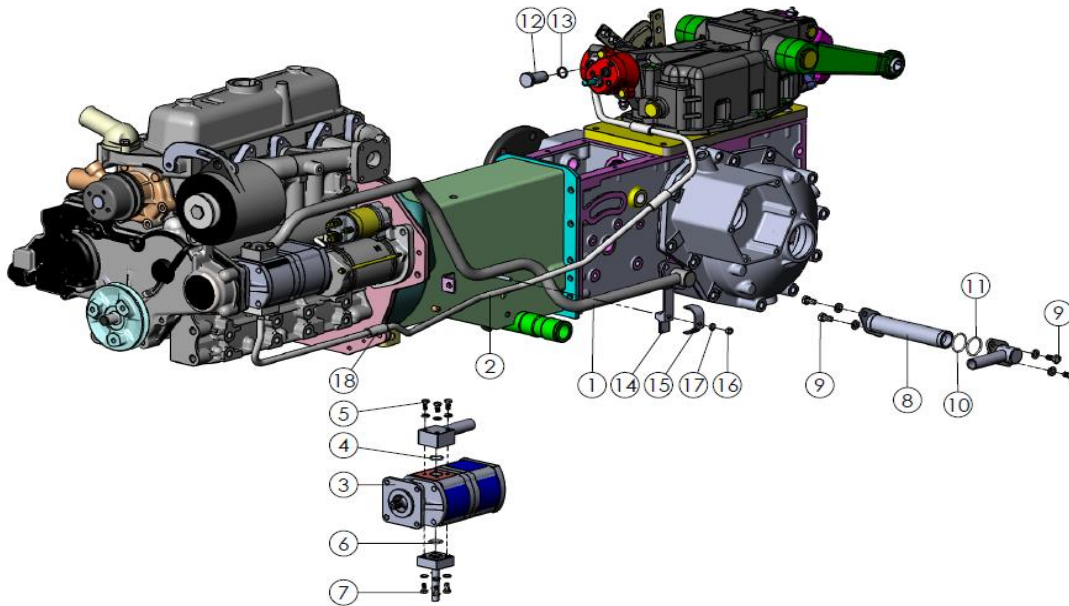
FIG. 805 HYDRAULIC CONTROL (ADDC)



Key no	New ERP Number	Old Parts Number	Parts Name	Quantity	DESCRIPTION	SERVICABLE REMARKS
				270D		
51	MLS1101000GA0	7400001200	RING SNAP	5		YES
52	MLS0800801GA0	7400000800	RING SNAP	1		YES
53	MPB3001600GA0	5500003016	SPRING PIN	1		YES
54	MPB3002500GA0	5500003025	SPRING PIN	1		YES
55	MGG1207000GA0	8401012227	SEAL OIL	2		YES
56	MBA0804003BA0	M10008040	BOLT HEX HEAD	2		YES
57	MWL0802003GA0	M30408	WASHER SPRING	2		YES
58	MNA0806000BA0	M17008	NUT HEX HEAD	4		YES
59	MBA1202501BA0	M10012025	BOLT HEX HEAD	2		YES
60	MWL1203002GA0	M30412	WASHER SPRING	2		YES
61	MWA1302300BA0	M30012	WASHER PLAIN	2		YES
62	MBA0803502BA0	M10008035	BOLT HEX HEAD	2		YES
63	MWL0802003GA0	M30408	WASHER SPRING	2		YES
64	MSG0500000GA0	M136-05	SCREW COUNTER SINK LENGTH 8	2		YES
65	MBA0801602BA0	M10008016	BOLT HEX HEAD	6		YES
66	MWA0801602GA0	M30008	WASHER PLAIN	6		YES
67	MWL0802003GA0	M30408	WASHER SPRING	6		YES
68	MNG0000016GA0	A3010108003	NUT,JAM	4		YES
69	MGN0600400BA0	A6500100600	NIPPLE,GREASE	1		YES
70	BCA26C00160A0	18080500540	STOPPER - F&R	1		YES
71	MGG0825000BA0	10212438001	GRIP	1		YES
72	BCA26C00080A0	18080501530	SLEEVE(30mm WIDTH LEVER)	1		YES
73	BCA26C00090A0	18080501630	SLEEVE(20mm WIDTH LEVER)	1		YES
74	BCA14C00770A0	10032409001	Arm feed back	1		YES

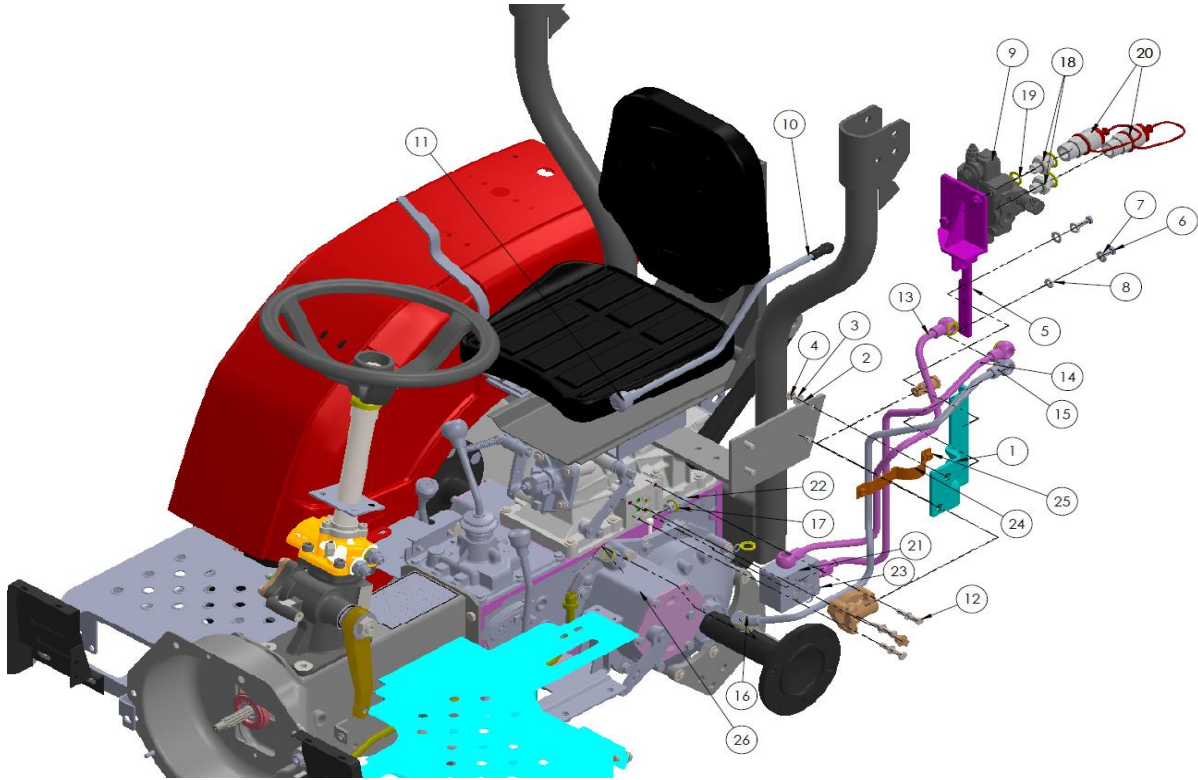


FIG. 807 HYDRAULIC LINE



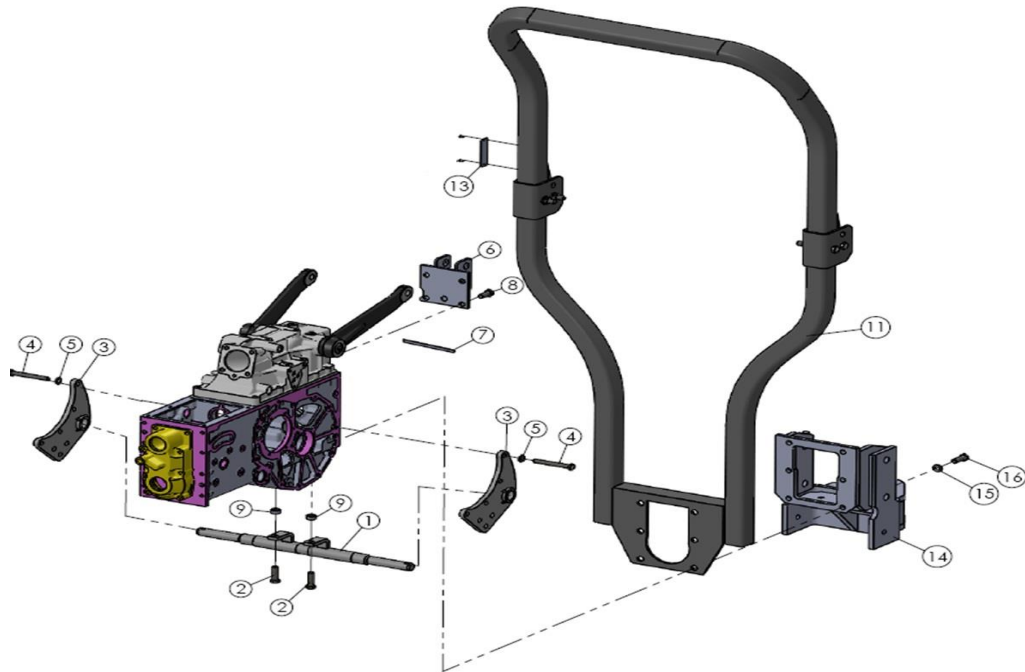
Key no	New ERP Number	Old Parts Number	Parts Name	Quantity	DESCRIPTION	SERVICABLE REMARKS
				270D		
1	BFE14C00000A0	270807001X0	PIPE, suction painted	1		YES
2	JDA44C00080A0	JDA44C00080A	PIPE, delivery PAINTED	1		YES
3	BFA14A00030A0	270808000X0	Hydraulic Pump (Tandem Pump)	1		YES
4	MRA0202400GA0	8300100200	O-RING	1	Ø12	YES
5	MBA0603501BA0	M10006035	BOLT, hex.hd.	3	M6X35	YES
5a	MWL0601502BA0	M30406	WASHER, spring	3	M6	YES
6	MRA0182400GA0	8300100180	O-RING	1	Ø18	YES
7	MBA0603003BA0	M10006030	BOLT, hex.hd.	4	M6X30	YES
7a	MWL0601502BA0	M30406	WASHER, spring	4	M6	YES
8	BCA14C00910A0	11352452002	FILTER	1		YES
9	MBA0801602BA0	M10008016	BOLT, hex.hd.	4	M8X16	YES
9a	MWL0802003GA0	M30408	WASHER, spring	4	M8	YES
10	MRA0322400GA0	8300120310	O-RING	1	Ø31	YES
11	MRA0302400GA0	8300120300	O-RING	1	Ø30	YES
12	MBA1404200GA0	10072474001	BOLT	1		YES
13	MWN0000001GA0	10072475000	WASHER, seal	2		YES
14	BCA14C00930A0	11352475000	CUSHION, rubber	1		YES
15	BCA14C00960A0	11352476000	HOLDER	1		YES
16	MNA0605501BA0	M17006	NUT	1	M6	YES
17	MWL0601502BA0	M30406	WASHER, spring	8	M6	YES
18	BCA14C00920A0	11352474000	PIPE	3		YES
19	MNA0806000BA0	M17008	Nut Hexagonal	5	M8	YES
20	MWL0802003GA0	M30408	WASHER, spring	10	M8	YES

FIG. 809 DOUBLE ACTING SPOOL VALVE



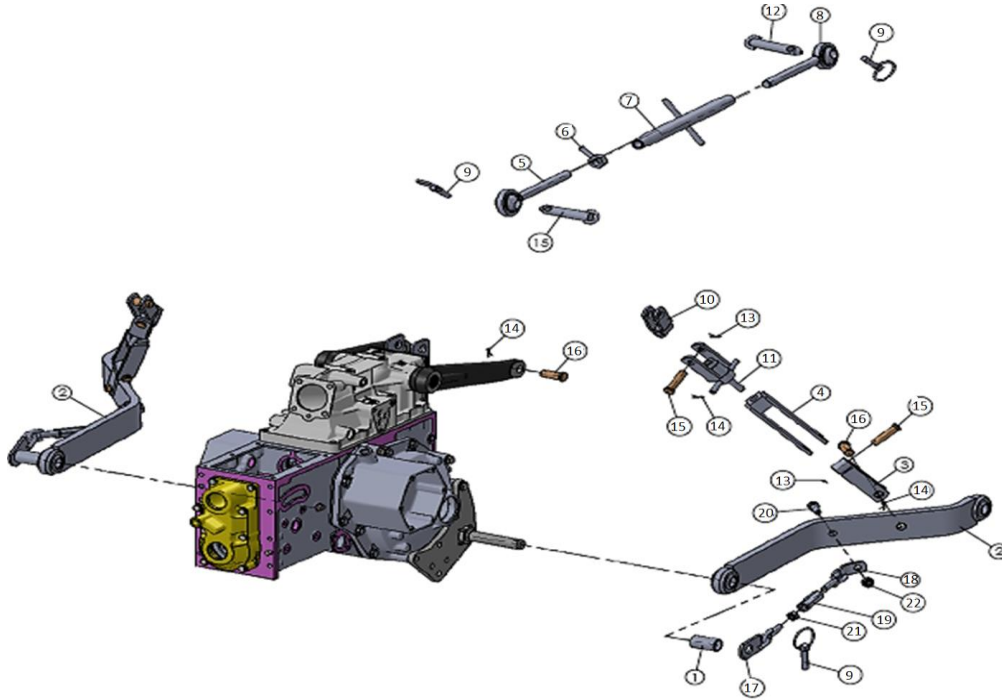
Key no	New ERP Number	Old Parts Number	Parts Name	Quantity	DESCRIPTION	SERVICABLE REMARKS
				270D		
1	JDA44C00000A0	JDA44C00000A	SPOOL VALVE BRACKET A (Mita)	1		YES
2	MBA1003002BA0	M10010030	BOLT M10X30	3		YES
3	MWL1002503GA0	M30410	SPRING WASHER M10	3		YES
4	MWA1101600BA0	M30010	Washer plain (M10)	3		YES
5	JEB26C00010A0	EC080900321	SPOOL VALVE BRACKET B	1		YES
6	MBA0802504BA0	M10008025	Bolt, hex hd (M8x25)	4		YES
7	MWL0802003GA0	M30408	Washer spring (M8)	9		YES
8	MWA0801602GA0	M30008	Washer plain (M8)	9		YES
9	BDA14C00000A0	BDA14C00000A	SINGLE, DOUBLE ACTING SPOOL VALVE	1		YES
10	JDA44C00010A0	JDA44C00010B	LEVER SPOOL VALVE	1		YES
11	JDA14C00080A0	P03665	GRIP	1		YES
11a	JDA98C00020A0	P0365701	BOLT,(SPOOL VALVE LEVER)	1		
11b	MNA0805001GA0	MF430725	NUT,JAM M8	2		
12	MBA0806500BA0	M10008065	Bolt, hex hd (M8x65)	2		YES
13	JDA44C00020A0	JDA44C00020A	PORT-P PIPE	1		YES
14	JDA44C00030A0	JDA44C00030A	PORT-C PIPE	1		YES
15	JDA44C00040A0	JDA44C00040A	PORT-T PIPE	1		YES
16	MBG1803800BA0	MBG1803800BB	BANJO BOLT HYD ADAPTOR	5		YES
17	MWN1602000GA0	8330001801	WASHER SEAL	13		YES
18	JDA44C00090A0	JDA44C00090A	PORT A-B ADAPTOR	2		YES
19	MWN1902000GA0	8330002200	Washer seal	2		YES
20	JEA14C00000A0	EC080901740	Quick Coupler	2		YES
21	JDA14C00060A0	EC080900931	Hydraulic adaptor	1		YES
22	JDA44C00100A0	JDA44C00100A	ADAPTOR M18X1.5P	1		YES
23	MRA0122401GA0	8300100120	ORING	3		YES
24	JDA44C00110A0	JDA44C00110A	CLAMP (SPOOL VALVE) 1	1		YES
24a	JDA44C00120A0	JDA44C00120A	CLAMP (SPOOL VALVE) 2	1		YES
24b	JDA44C00130A0	JDA44C00130A	RUBBER-CLAMP, SPOOL VALVE	2		YES
24c	BCA14C000920A0	11352474000	PIPE	4		YES
25	MNA0806000BA0	M17008	Nut Hexagonal	2		YES
26	JDA44C00050A0	JDA44C00050A	CASE FINAL LH	1		YES

FIG. 901 LOWER LINK BRACKET



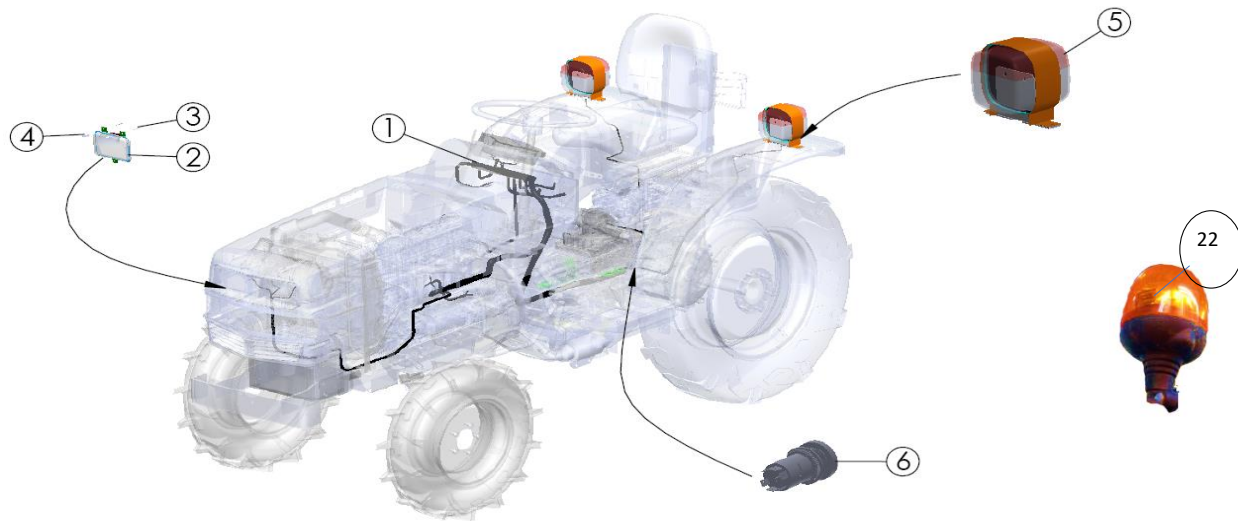
Key no	New ERP Number	Old Parts Number	Parts Name	Quantity	DESCRIPTION	SERVICABLE REMARKS
				270D		
1	BCA45C00110A0	19741901006	BRACKET, lower link	1		YES
2	MBA1204002BA0	M10012040	BOLT, hex. hd.	2	M12X40	YES
2a	MWL1203002GA0	M30412	WASHER, spring	2	M12	YES
3	BCA45C00250A0	180901003X0	Plate Lower Link Painted	2		YES
4	MBA1008500GA0	19741908000	BOLT, hex. hd.	8	M10X85	YES
4a	MBA1003502BA0	M10010035	Bolt Hex Head	6		YES
4b	MBA1005500BA0	M10010055	Bolt Hex Head	4		YES
4c	MBA1007000BA0	M10010070	Bolt Hexagonal head	1		YES
4d	MWL0802003GA0	M30408	Washer Spring	6		YES
4e	MBA0802004BA0	M10008020	Bolt Hex Head	6		YES
5	MWL1002503GA0	M30410	WASHER, spring	12	M10	YES
6	BCA45C00030A0	10075158003	BRACKET	1		YES
7	BCA45C00140A0	10071913001	PLATE	AR		YES
8	MBA1203002BA0	M10012030	BOLT, hex. hd.	4	M12X30	YES
8a	MBA1206500BA0	MBA1206500BA	WASHER, spring	4	M12	YES
9	BCA45C00040A0	18090100140	SPACER	2		YES
11	JDA24C00000A0	JDA24C00000D	ROPS ASSEMBLY (EURO MODEL)	1		YES
11c	JDA24C00030A0	JDA24C00030A	ROPS STOPPER	2		YES
11d	JDA24C00040A0	JDA24C00040A	Pin WITH WIRE	4		YES
11e	MPS2036000BA0	5210112000	Pin,snap	4		YES
11f	MWL1203002GA0	M30412	Washer, spring	4		YES
11g	MBA1203002BA0	M10012030	Hex.head bolt	4		YES
11h	MDG1206500GA0	MDG1206500GA	Stud	2		YES
11i	JDA23C00000A0	JDA23C00000A	REV. LIGHT BRACKET PAINTED	1		YES
11j	JDA23C00010A0	JDA23C00010A	REV.LIGHT PLATE PAINTED	1		YES
11k	JDA23C00030A0	JDA23C00030B	CUSHION REV. LIGHT	2		YES
11l	JDA23C00040A0	JDA23C00040A	CUSHION B	1		YES
13	JDA40C00210A0	JDA40C00210A	NAME PLATE,ROPS	1		YES
14	JDA40C00200A0	JDA40C00200A	Name plate hitch	1		YES
14a	JEB45C00020A0	EC0805003X0	Hitch Bracket Painted Euro Tractor	1		YES
14b	JDA45C00020A0	EC080500400	DRAWBAR BRACKET (EURO) painted	1		YES
14c	JEB45C00010A0	EC080500530	PIN DRAWBAR (EURO MODEL)	1		YES
14d	BRA16A00010A0	EC080500620	FRONT HITCH (EURO MODEL)	1		YES

FIG. 902 THREE POINT LINKAGE



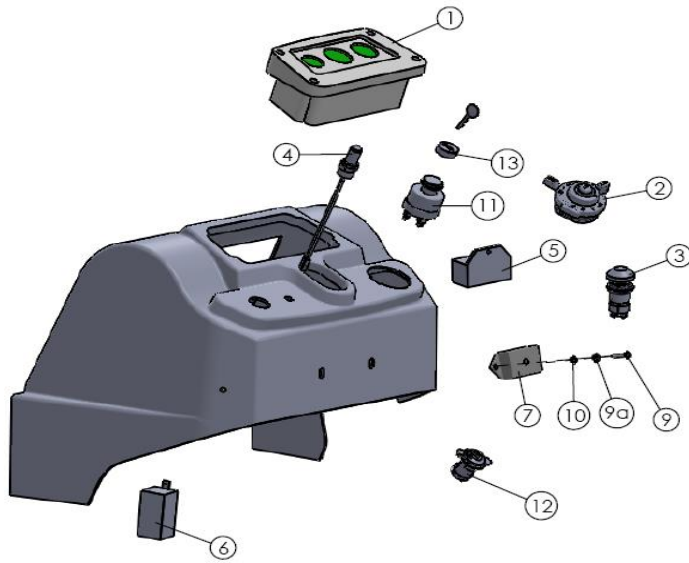
Key no	New ERP Number	Old Parts Number	Parts Name	Quantity	DESCRIPTION	SERVICABLE REMARKS
				270D		
1~22	BCA45C00120A0	2709020V1X1	TPL ASSY	SET		YES
1	BCA44C00170A0	19744600100	Collar	2		YES
2	BCA45C00150A0	19744601012	Lower Link	2		YES
	BCA45A00030A0	27090203321	Side Link	2		YES
5~8	BCA45A00020A0	27090203221	Top Link Assy	1		YES
5~8	MPG1810900BA0	27090200640	PIN(TOP LINK) 18X109	1		YES
5	BDA98C00000A0		LINCH-CLIP DIA 10	1		YES
6	BDA98C00010A0		LINCH-CLIP DIA 8	1		YES
10	BCA45C00290A0	19703925000	Joint	2		YES
12	MPG1907600BA0	11355156000	Pin	2		YES
13	MPS2041600BA0	5210114000	Pin Snap	4		YES
14	MPS2654000BA0	5210116000	Pin Snap	6		YES
16	MPC1604500BA0	5610116045	Pin Clevis	4		YES
17~22	BFA45A00090A0	27090203430P0	Check chain assy	2		YES
20	MBA1203503BA0	M10012035	Bolt	2		YES
21	MWL1203002GA0	M30412	Spring washer	2		YES
22	MNA1210002BA0	M17012	Nut	2		

FIG. 1001 ELECTRICAL WIRING



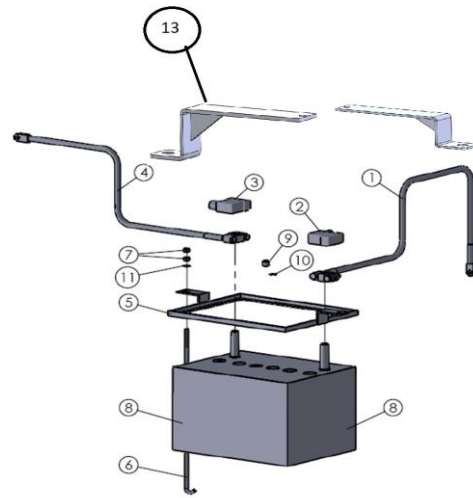
Key no	New ERP Number	Old Parts Number	Parts Name	Quantity	DESCRIPTION	SERVICABLE REMARKS
				270D		
1	JDA34A00020A0	JDA34A00020H	WIRING HARNESS	1		YES
2	BCA34C00190A0	10192840003	HEAD LAMP ASSY (WITH BOOT)	2		YES
3	MSG0502000GA0	M13005020	SCREW, Round hd.	6	M5X20	YES
4	BCA34C00200A0	10192849001	SPRING	6		YES
6~8	BCA34C00220A0	11422881003	SAFETY SWITCH	1		YES
7	MNA1605000BA0	11422881120	NUT	2		YES
8	MWE0000001GA0	3710116000	WASHER, TOOTH	1		YES
9	BCA34C00500A0	181002012X0	INDICATOR LAMP FRONT	1		YES
10	BCA34C00510A0	181002013X0	INDICATOR LAMP REAR	1		YES
15	BCA34C00180A0	10072858000	BAND, WIRE	9		YES
16	MWA0701000BA0	M30006	WASHER, plain	2	M6	YES
18	MGC0908000BA0	502108083	CLAMP	1		YES
20	MWL0802003GA0	M30408	WASHER, spring	1	M8	YES
21	MNA0806000BA0	M17008	NUT	1	M8	YES
22	JDA34A00000A0	JDA34A00000A	BEACON LAMP	1		YES
22A	JDA34C00050A0	JDA34C00050A	REVOLVING LIGHT SWITCH	1		YES
22B	JDA34C00000A0	JDA34C00000A	ADJUSTABLE TUBULAR GRAFT	1		YES
23	BCA34C00270A0	19812823000	CLAMP	2		YES
25	BCA34C00170A0	6740402102	HORN	1		YES
26	JEA40C00030A0	EC110100324P2	NUMBER PLATE	1		YES
27	BCA34C00290A0	181002009X1	NUMBER PLATE LAMP	1		YES
28	BCB26C00011A0	181002010X1	TRAILER SOCKET	1		YES
29	BCA12C00310A0	22100100240	CLAMP ( D TYPE)	1		YES
30	BCA26C00230A0	V0010101340	RUBBER GUIDE	4		YES
31	BFA26C00180A0	18100201441	RUBBER PAD (FENDER)	4		YES
32	JTA06A00020A0		Solenoid Assembly	1		YES
33	BCA34C00390A0	181002011X0	Reflector	1		YES
34	JEB32C00000A0	EC100201640	Stop switch (EURO MODEL)	1		YES

FIG. 1003 METER PANEL (1/2)



Key no	New ERP Number	Old Parts Number	Parts Name	Quantity	DESCRIPTION	SERVICABLE REMARKS
				270D		
1	BFA32A00020A0	221003001X2	Instrument Cluster	1		221003001X2   Instrument Cluster Digital 22HP
2	BCA32C00240A0	18100300830	Comb. Swt. Flasher	1		no
2a	BFA32C00070A0	221003005x0	COMBINATION SWITCH	1		YES
3	BCA32C00250A0	18100300930	Comb. Swt. Head Lamp	1		YES
3a	BCA34C00550A0	221003004X0	HAZARD SWITCH	1		YES
5-Jan	BCA32C00270A0	180114005X0	Glow Duration Unit	1		YES
6	BCA32A00050A0	18100401741	FLASHER UNIT ASSLY	1		YES
7~8	BEF32C00020A0	181004023X0	FUSE BOX	1		YES
9	MSG0502000GA0	M13005020	Screw Round Head	2		YES
9a	MWL0601502BA0	M30406	WASHER, Spring	2		YES
10	MWA0701000BA0	M30006	WASHER, Plain	2		YES
11	BCA34C00420A0	221003003X0	STARTER SWITCH	1		YES
11a	BCA34C00540A0	221003007X0	STARTER KEY	1		YES
13	BCA34C00410A0	221003002X0	STARTER RELAY	1		YES
14	JDA34C00040A0	JDA34C00040A	BUZZER ASSY	1		YES
15	MSK0301200BA0	MSK0301200BA	SCREW M3X0.5XL12	2		YES
15A	MWA0300500BA0	MWA0300500BA	PLAIN WASHER M3	2		YES
15B	MNA0302400BA0	MNA0302400BA	BUZZER MOUNTING NUT M3X0.5	2		YES
16	JDA34C00000A0	JDA34C00000A	REVOLING LIGHT SWITCH	1		YES

FIG. 1005 BATTERY



Key no	New ERP Number	Old Parts Number	Parts Name	Quantity	DESCRIPTION	SERVICABLE REMARKS
				270D		
1~2	JDA30C00010A0	JDA30C00010A	CODE ASSY	1		YES
3~4	BCA34C00580A0	18100500232	MINUS, cable	1		YES
5	BCA29C00050A0	18100500822	CLAMP, battery	1		YES
7	MNA0605501BA0	M117006	NUT	4	M6	YES
8-10	BCA29C00070A0	19822883000	BATTERY SET	1		YES
11	MWA0701000BA0	M30006	WASHER, plain	2	M6	YES
12	JDA30C00000A0	JDA30C00000A	Battery isolator cable	1		YES
13	BCA29C00000A0	BCA29C00000A	BATTERY SWITCH BRACKET	2		YES
14	JDA40C00120A0	JDA40C00120A	BATTERY ISOLATOR SWITCH	1		YES
15	MBA0601601BA0	M10006016	BOLT HEX, HEAD	2		YES
16	MWA0701000BA0	M30006	PLAIN WASHER	2		YES
17	MWL0601502BA0	M30406	SPRING WASHER	2		YES



FIG. 1101 NAME PLATE PAGE 103

**VST TILLERS TRACTORS LIMITED**

Vehicle Category	T2 a	Max laden mass for AXLE 1	364Kg
EU Approval Number		Max laden mass for AXLE 2	474Kg
VIN Number	838Kg		
Max laden mass			

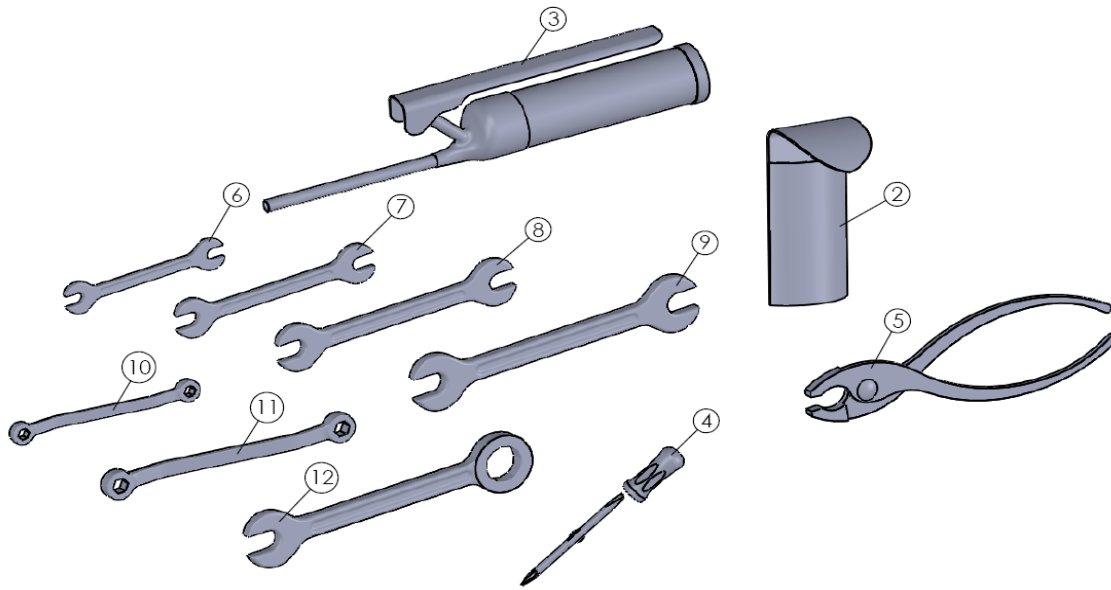
	T1	T2	T3
B1			
B2			
B3			
B4			

**FIELDTRAC 270D**

Key no	New ERP Number	Old Parts Number	Parts Name	Quantity	DESCRIPTION	SERVICABLE REMARKS
				270D		
1~24	BSA40C00060A0	BSA40C00060B	STICKER,kit ENGLISH	1		YES
1~24	JTC40A00000B		STICKER,kit FRENCH	1		YES
1	JTA40C00010A0	JTA40C00010A	FIELD TRAC MT 270 LH & RH	SET		
22	JTA40C00000A0	JTA40C00000A	NAME PLATE (EXPORT TRACTOR -24HP)	1		
24	BCA40C00000A0	BCA40C00000B	VST 50 YEARS LOGO	1		



FIG. 1201 TOOL KIT



Key no	New ERP Number	Old Parts Number	Parts Name	Quantity	DESCRIPTION	SERVICABLE REMARKS
				270D		
1~12	BCA97C00060A0	181201001X0	TOOLKIT	SET		YES
2	BCA97C00070A0	181201002X0	TOOL BAG	1		NO
3	BCA97C00080A0	181201003X0	PUMP, Grease	1		NO
4	BCA97C00090A0	181201004X0	DRIVER, screw	1		NO
5	BCA97C00100A0	181201005X0	PLIER, cutting	1		NO
6	BCA97C00110A0	181201006X0	D.E.SPANNER	1		NO
7	BCA97C00120A0	181201007X0	D.E.SPANNER	1		NO
8	BCA97C00130A0	181201008X0	D.E.SPANNER	1		NO
9	BCA97C00140A0	181201009X0	D.E.SPANNER	1		NO
10	BCA97C00150A0	181201010X0	RING, SPANNER	1		NO
11	BCA97C00160A0	181201011X0	RING, SPANNER	1		NO
12	BCA97C00170A0	181201012X0	RING & OPEN SPANNER	1		NO